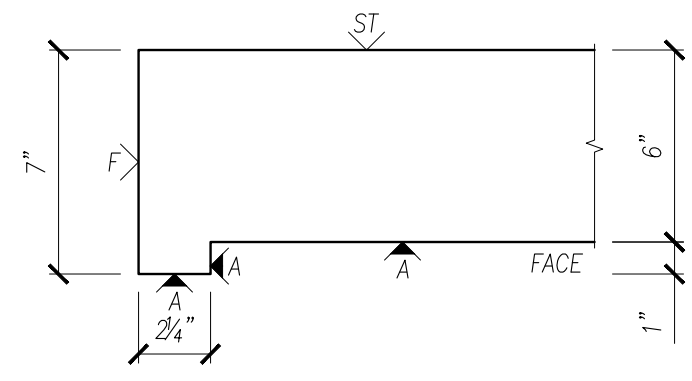


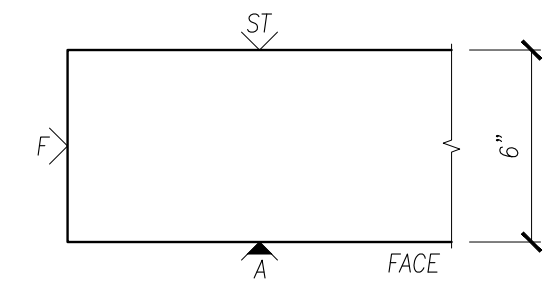
# PRESICION

PRECAST DETAILING

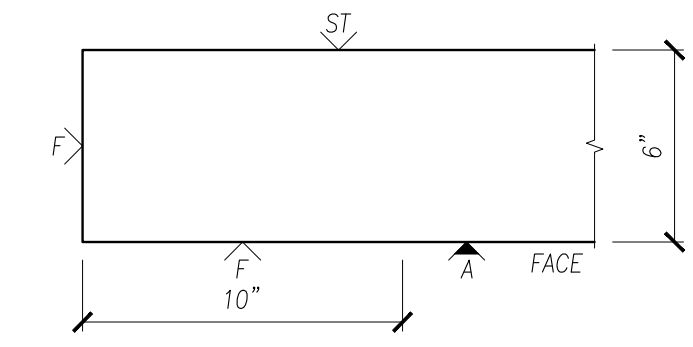
PROJECT:	<b>ARCHITECTURAL SOLID WALL PANEL</b>
LOCATION:	<b>UNDEFINED</b>
CONTRACTOR:	<b>UNDEFINED</b>



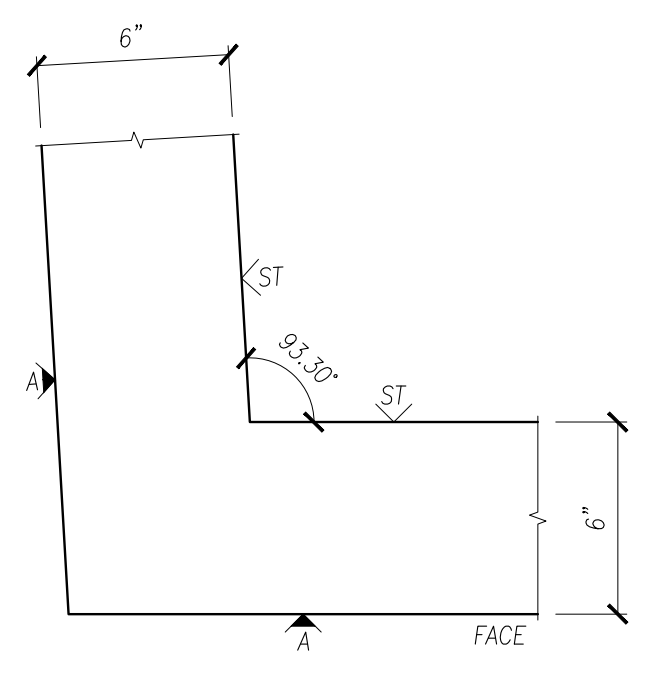
**DETAIL Z1**



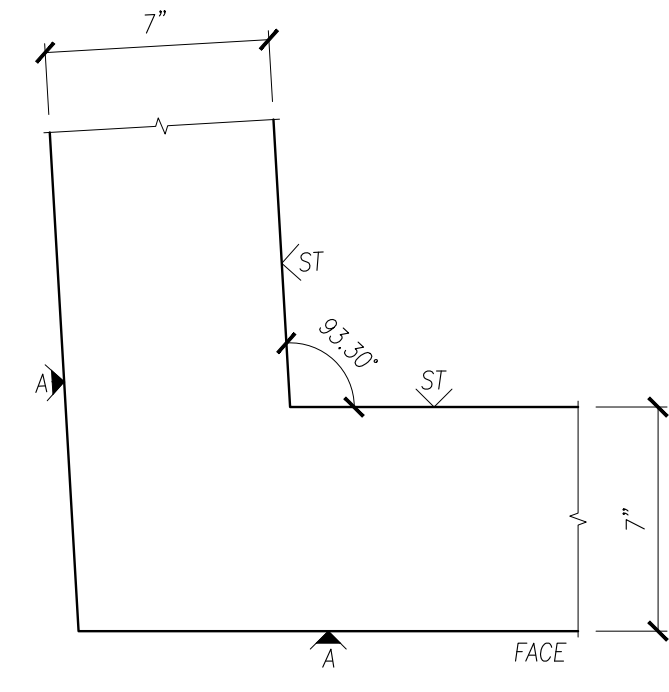
**DETAIL Z2**



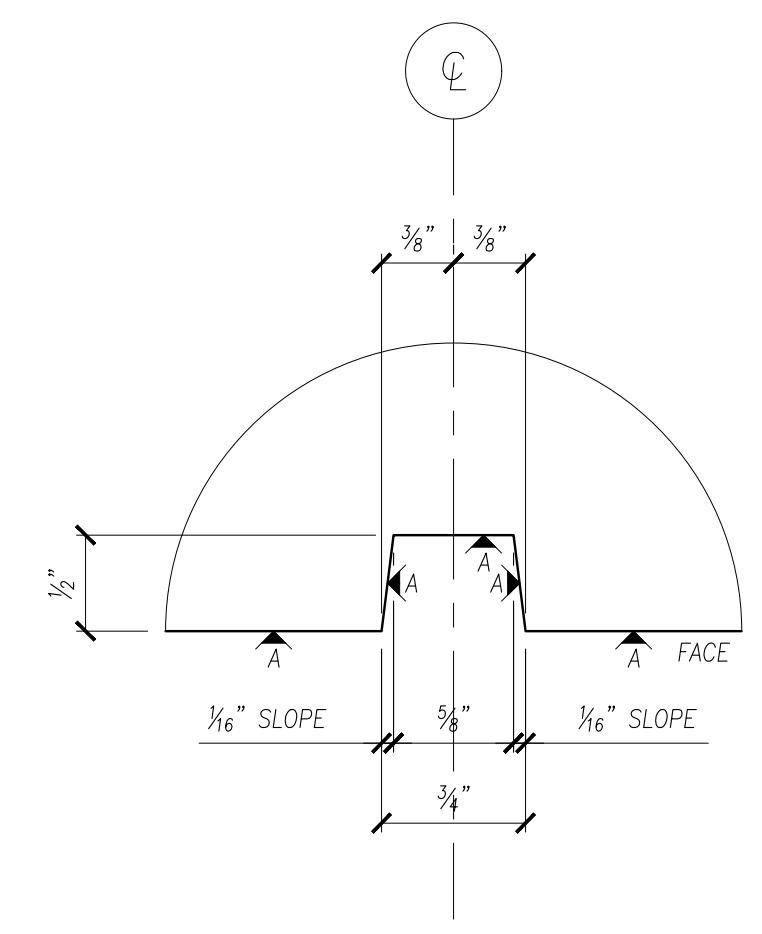
**DETAIL Z3**



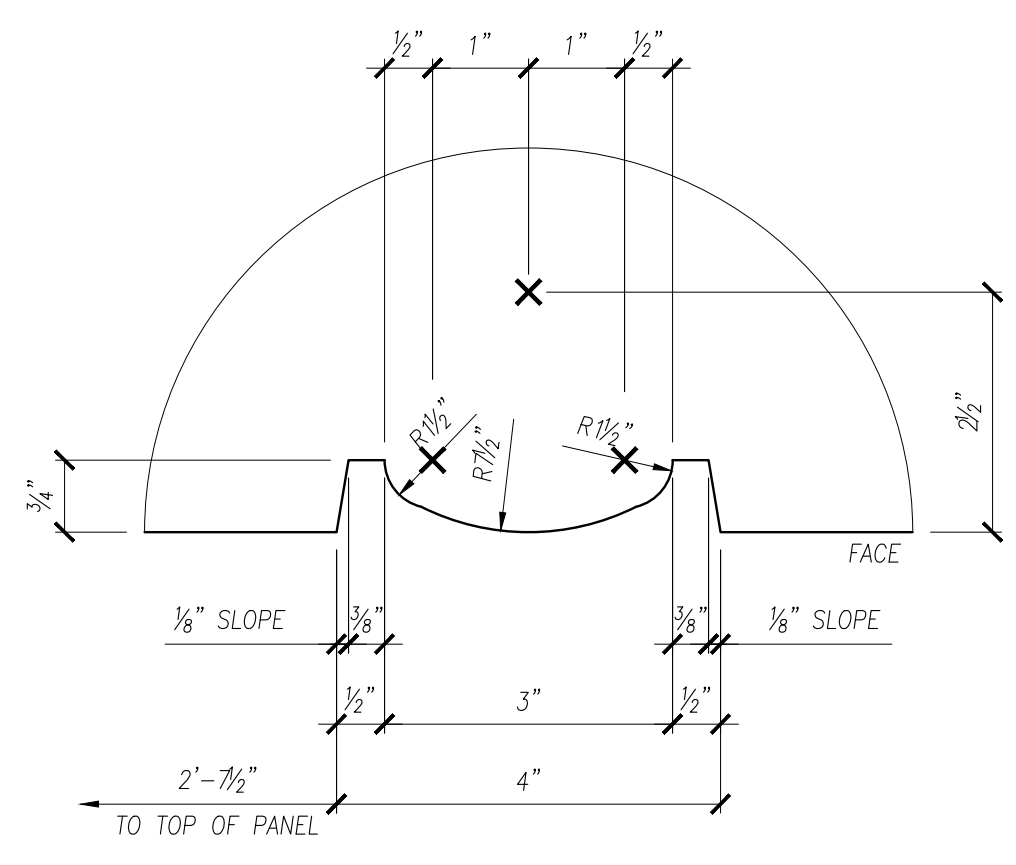
**DETAIL Z4**



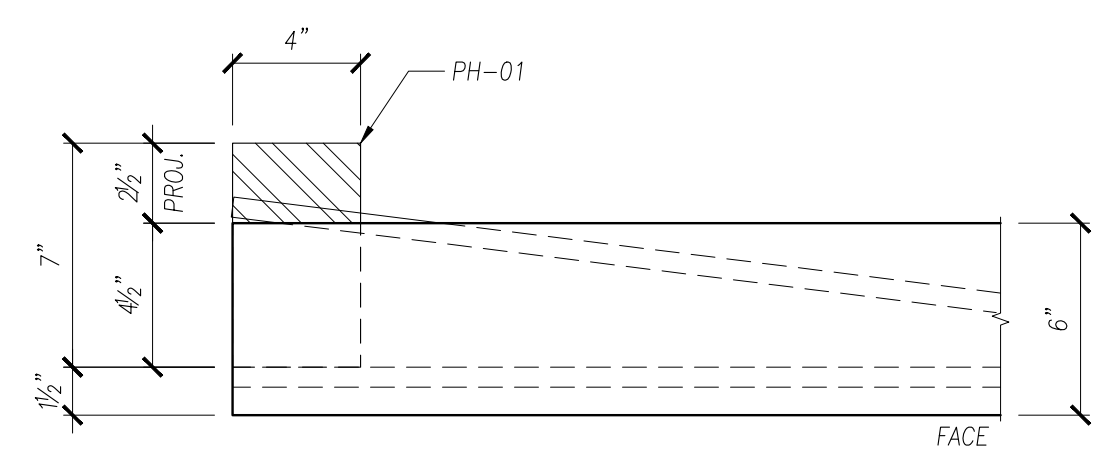
**DETAIL Z5**



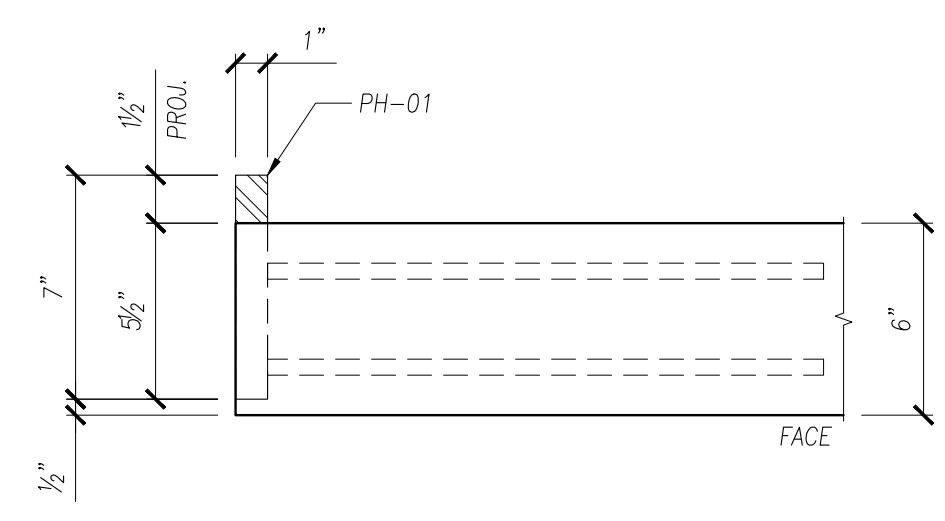
**DETAIL Z6**



**DETAIL Z7**



**DETAIL Z8**



**DETAIL Z9**

## FINISH

A	FORM SIDE - AS PER APPROVED SAMPLE
F	SMOOTH FORM
ST	STEEL-TROWEL
∨	DENOTES EXPOSED TO VIEW FINISHES
∇	DENOTES UNEXPOSED TO VIEW FINISHES

0	ISSUE FOR PRODUCTION	I.N.	XX/XX/XX
NO.	REVISION	BY	DATE

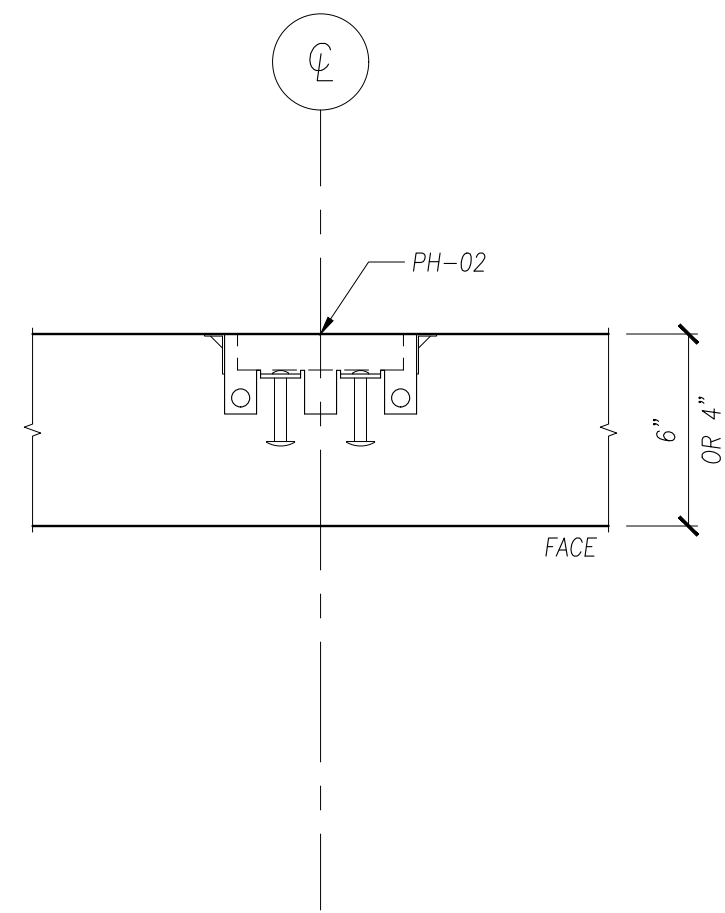
SCALE: 2" = 1'-0"

DRAWN BY	CHECKED BY	PROJECT NUMBER
I.N.	I.N.	<b>DEMO01</b>
SHEET	DRAWING NUMBER	
<b>1 OF 6</b>	<b>DET-001</b>	

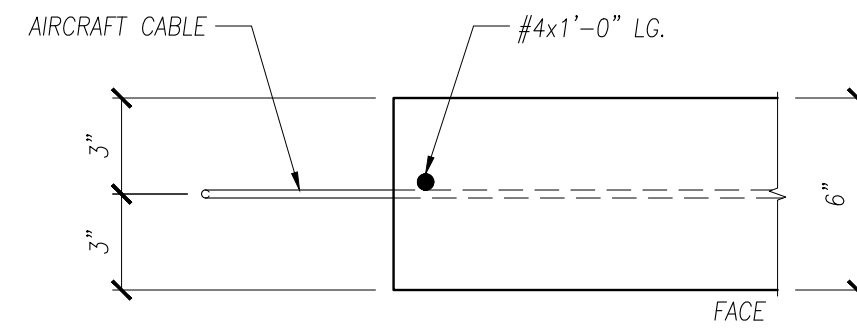
# PRESICION

## PRECAST DETAILING

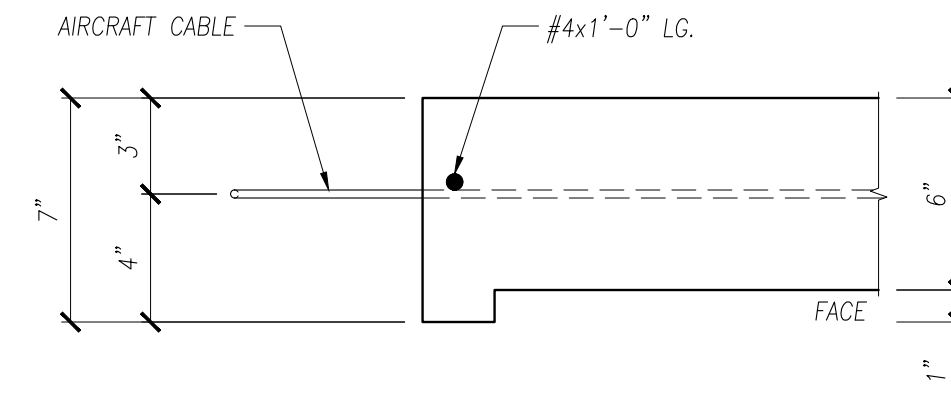
PROJECT:	<b>ARCHITECTURAL SOLID WALL PANEL</b>
LOCATION:	<b>UNDEFINED</b>
CONTRACTOR:	<b>UNDEFINED</b>



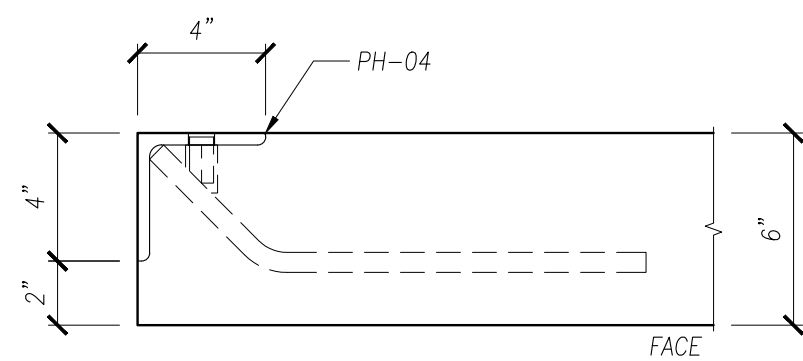
**DETAIL Z10**



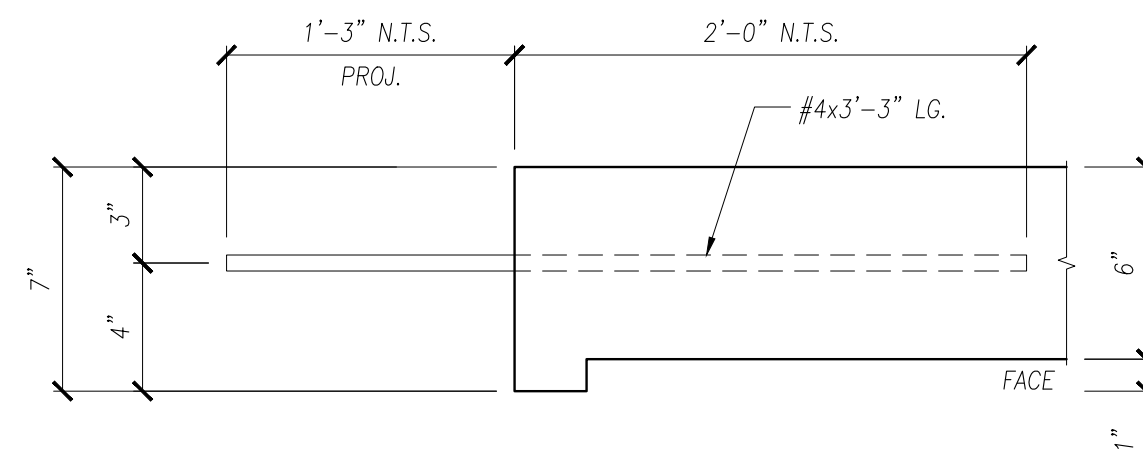
**DETAIL Z11**



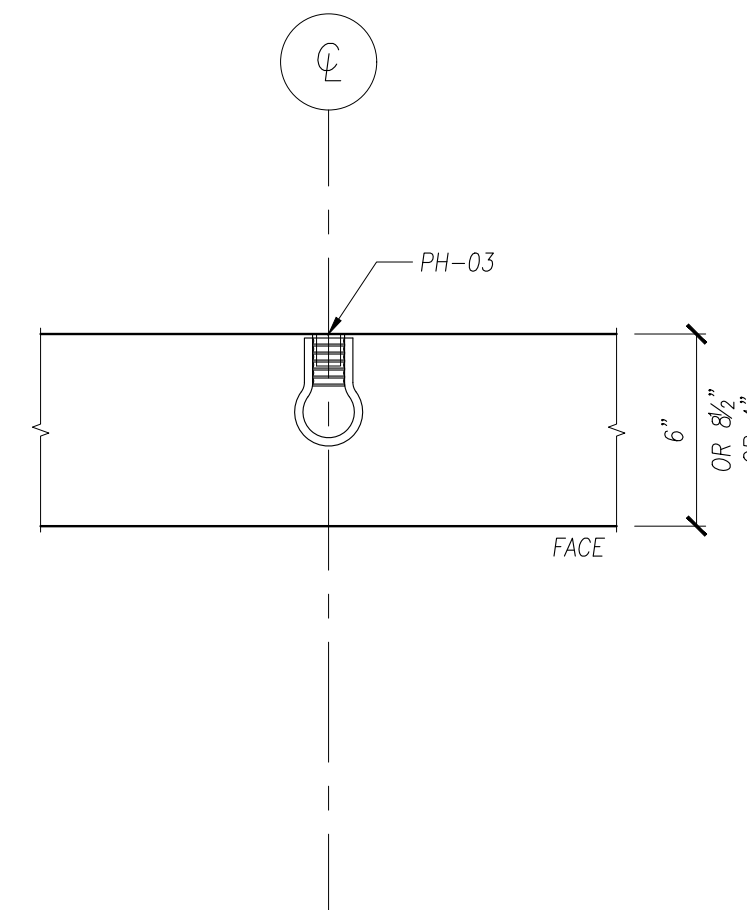
**DETAIL Z12**



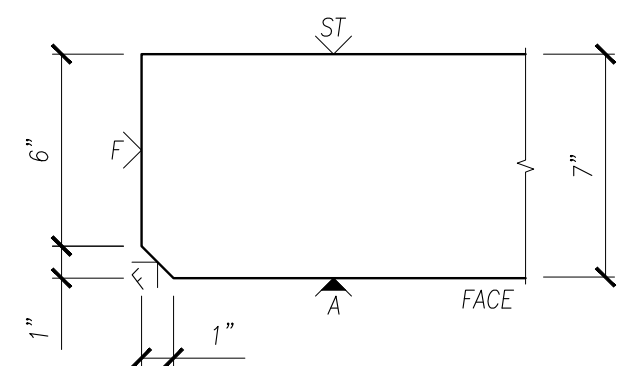
**DETAIL Z13**



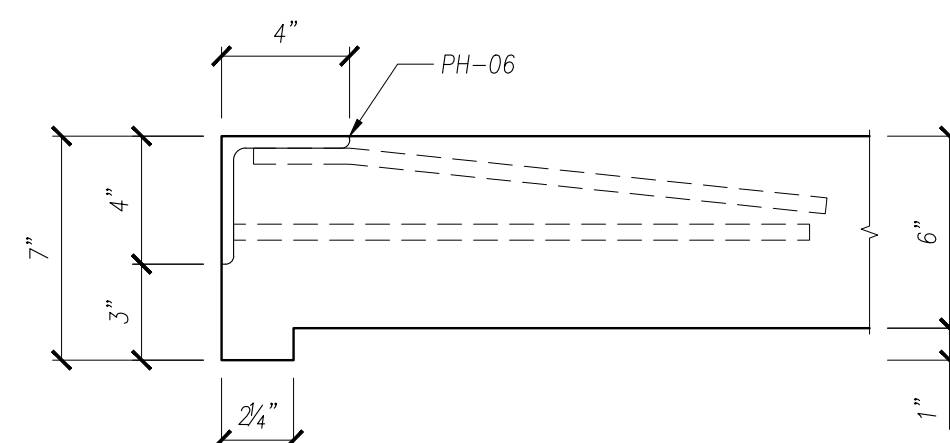
**DETAIL Z14**



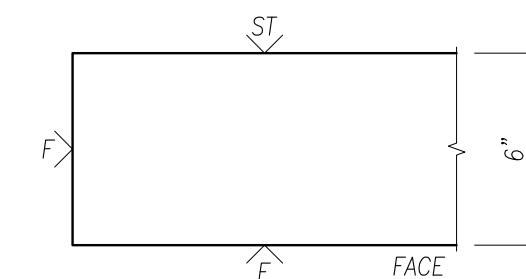
**DETAIL Z15**



**DETAIL Z16**



**DETAIL Z17**



**DETAIL Z18**

### FINISH

A	FORM SIDE - AS PER APPROVED SAMPLE
F	SMOOTH FORM
ST	STEEL-TROWEL
∨	DENOTES EXPOSED TO VIEW FINISHES
∇	DENOTES UNEXPOSED TO VIEW FINISHES

0	ISSUE FOR PRODUCTION	I.N.	XX/XX/XX
NO.	REVISION	BY	DATE

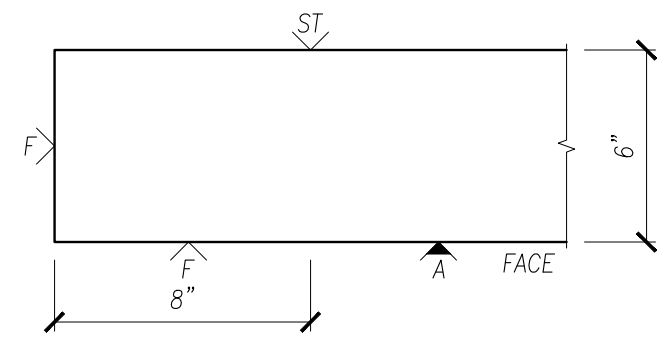
SCALE: 2" = 1'-0"

DRAWN BY	CHECKED BY	PROJECT NUMBER
I.N.	I.N.	<b>DEMO01</b>
SHEET	DRAWING NUMBER	
<b>2 OF 6</b>	<b>DET-002</b>	

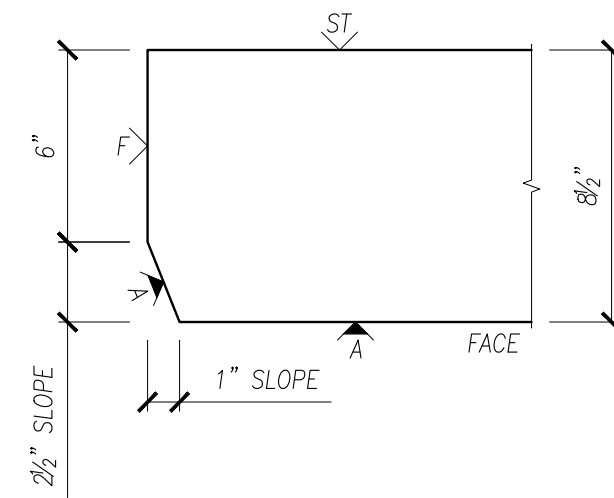
# PRESICION

## PRECAST DETAILING

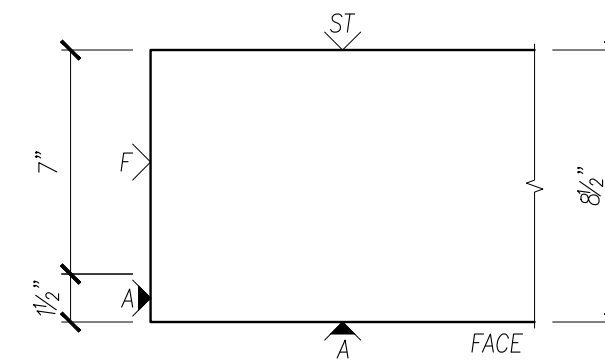
PROJECT:	<b>ARCHITECTURAL SOLID WALL PANEL</b>
LOCATION:	<b>UNDEFINED</b>
CONTRACTOR:	<b>UNDEFINED</b>



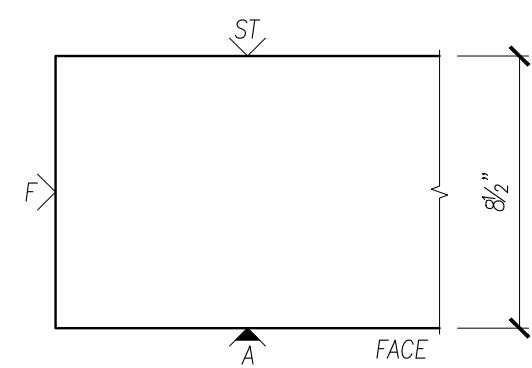
**DETAIL Z19**



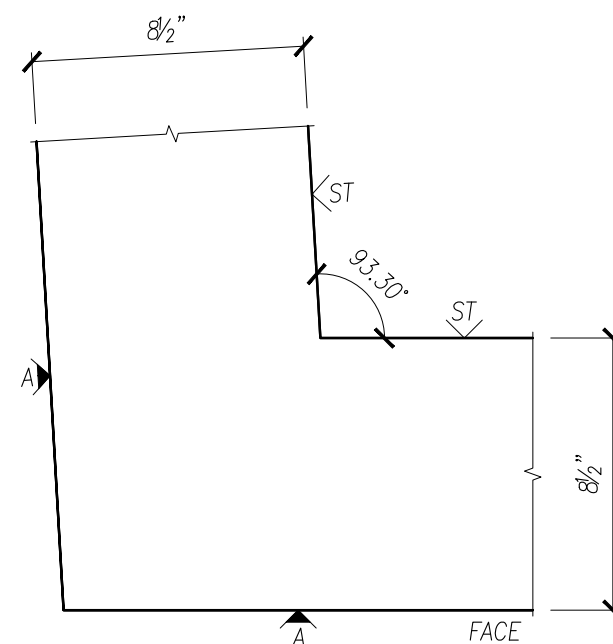
**DETAIL Z20**



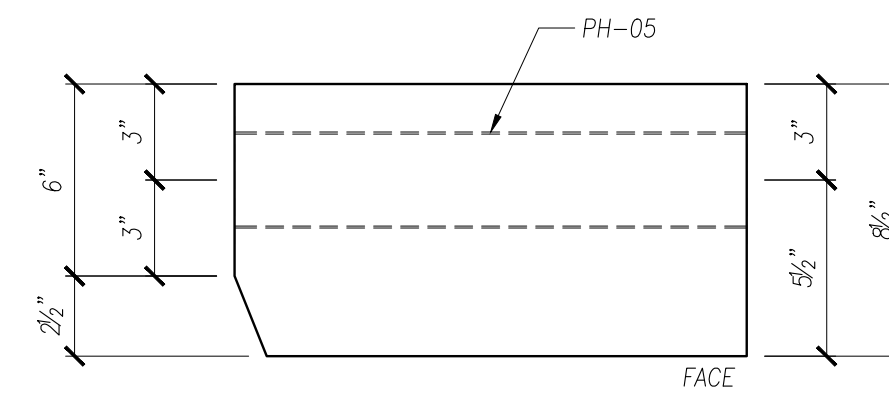
**DETAIL Z21**



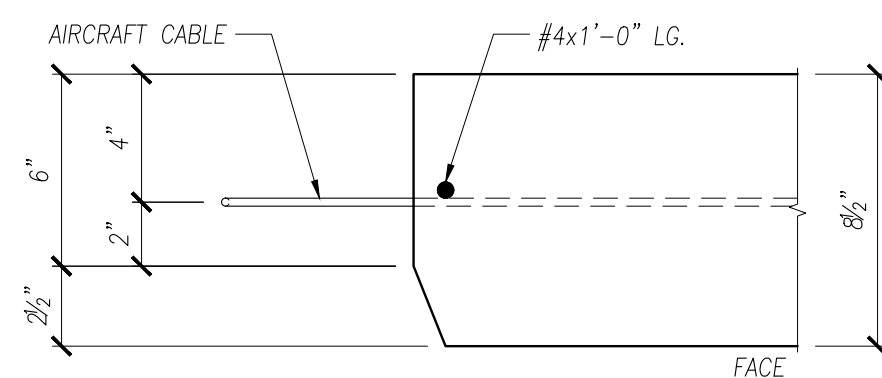
**DETAIL Z22**



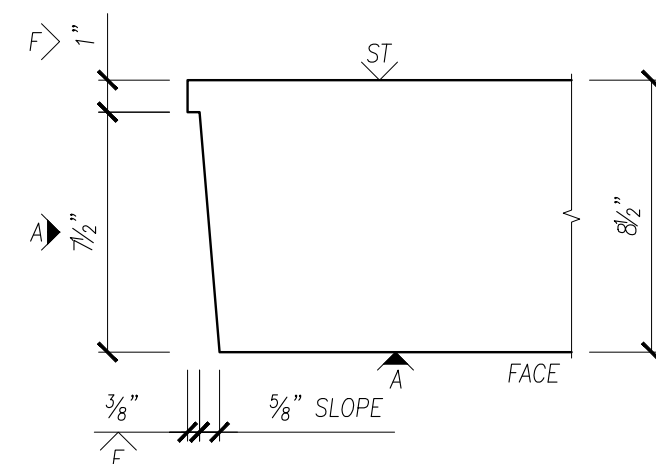
**DETAIL Z23**



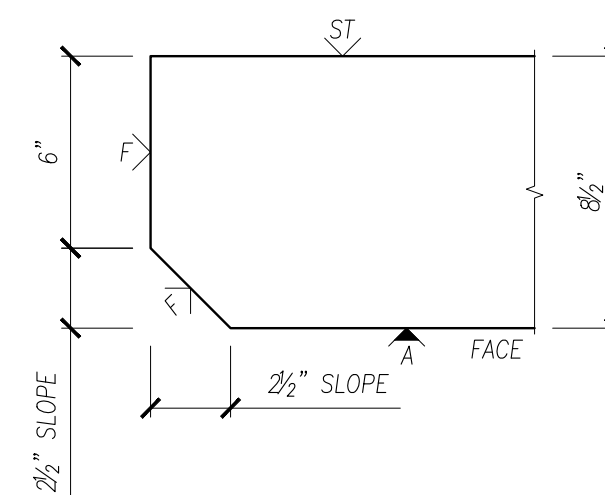
**DETAIL Z24**



**DETAIL Z25**



**DETAIL Z26**



**DETAIL Z27**

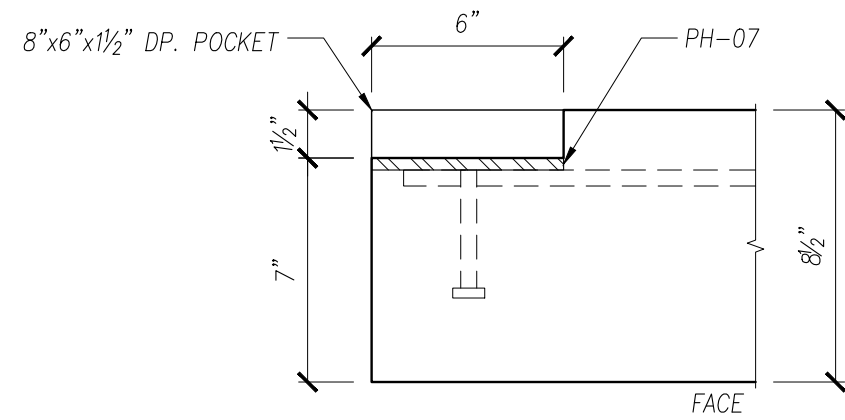
### FINISH

A	FORM SIDE - AS PER APPROVED SAMPLE
F	SMOOTH FORM
ST	STEEL-TROWEL
∨	DENOTES EXPOSED TO VIEW FINISHES
∇	DENOTES UNEXPOSED TO VIEW FINISHES

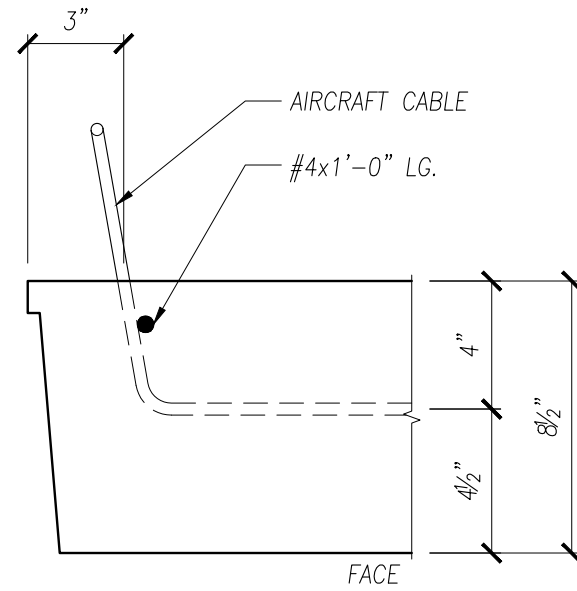
0	ISSUE FOR PRODUCTION	I.N.	XX/XX/XX
NO.	REVISION	BY	DATE

SCALE: 2" = 1'-0"

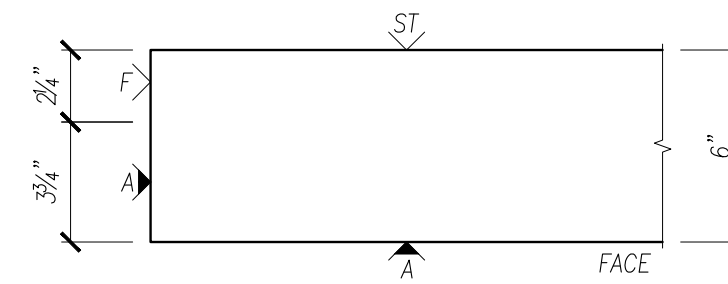
DRAWN BY	CHECKED BY	PROJECT NUMBER
I.N.	I.N.	<b>DEMO01</b>
SHEET	DRAWING NUMBER	
<b>3 OF 6</b>	<b>DET-003</b>	



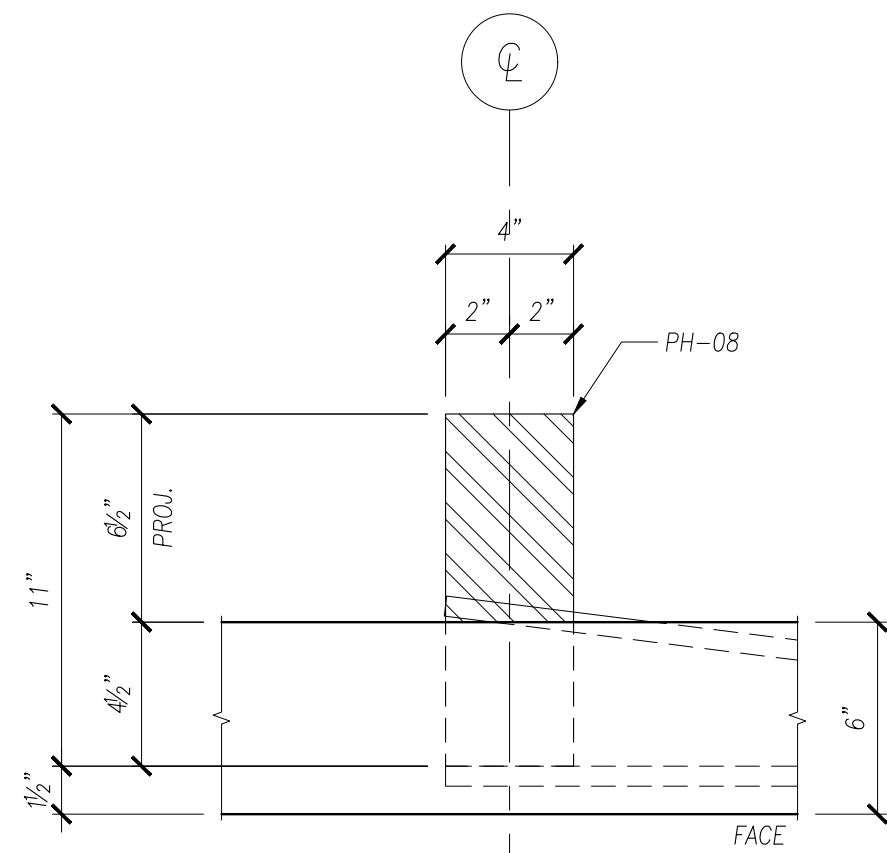
**DETAIL Z28**



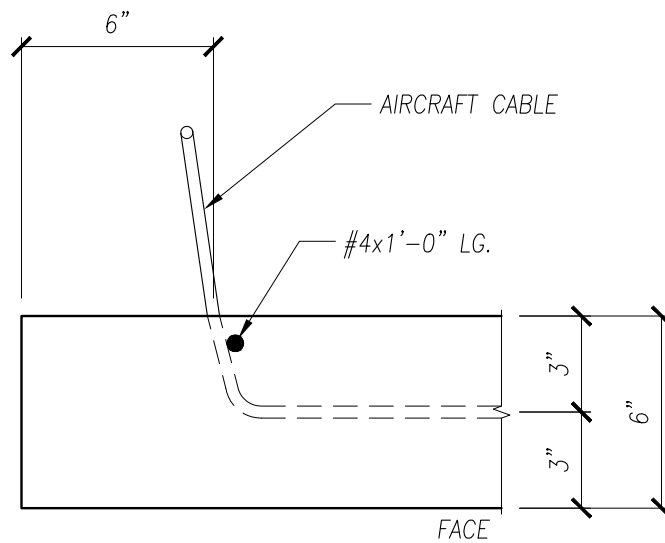
**DETAIL Z29**



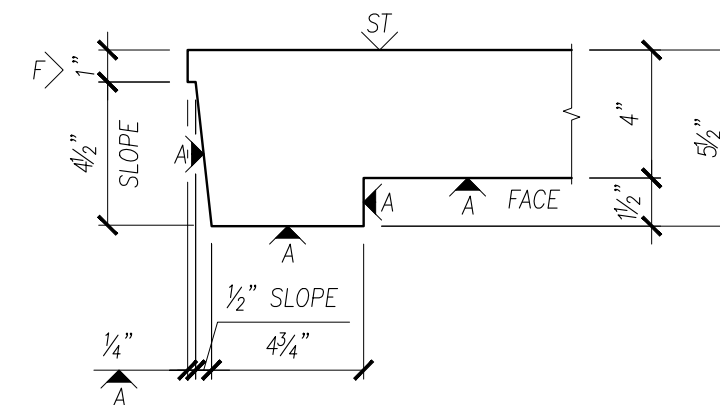
**DETAIL Z30**



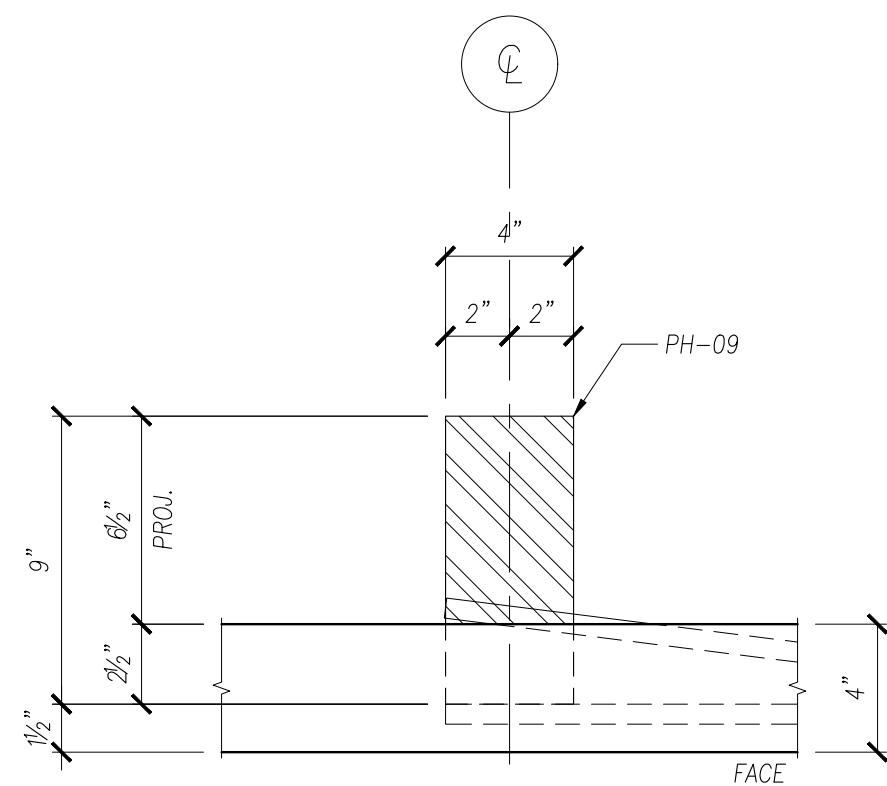
**DETAIL Z31**



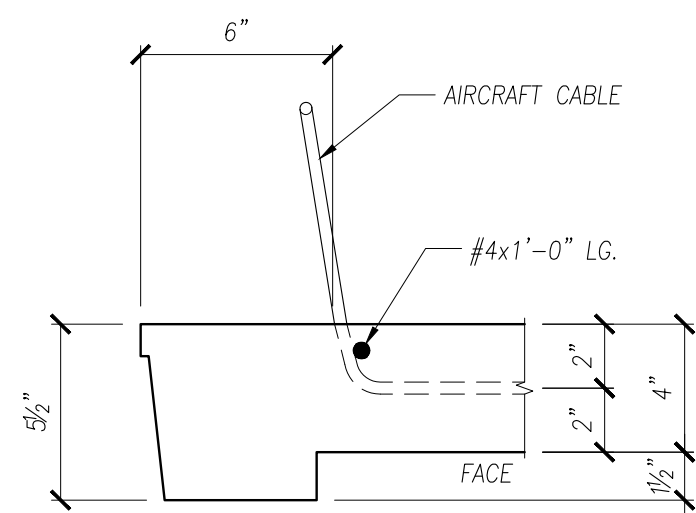
**DETAIL Z32**



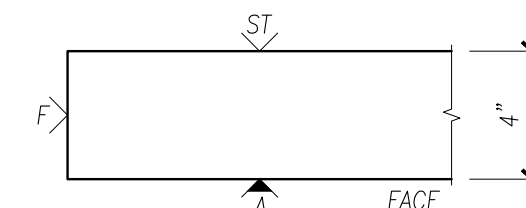
**DETAIL Z33**



**DETAIL Z34**



**DETAIL Z35**



**DETAIL Z36**

**PRESICION**  
PRECAST DETAILING

PROJECT:	<b>ARCHITECTURAL SOLID WALL PANEL</b>
LOCATION:	<b>UNDEFINED</b>
CONTRACTOR:	<b>UNDEFINED</b>

**FINISH**

A	FORM SIDE - AS PER APPROVED SAMPLE
F	SMOOTH FORM
ST	STEEL-TROWEL
∨	DENOTES EXPOSED TO VIEW FINISHES
∇	DENOTES UNEXPOSED TO VIEW FINISHES

0	ISSUE FOR PRODUCTION	I.N.	XX/XX/XX
NO.	REVISION	BY	DATE

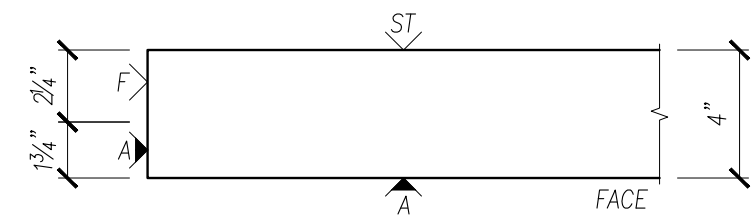
SCALE: 2" = 1'-0"

DRAWN BY	CHECKED BY	PROJECT NUMBER
I.N.	I.N.	<b>DEMO01</b>
SHEET	DRAWING NUMBER	
<b>1 OF 6</b>	<b>DET-004</b>	

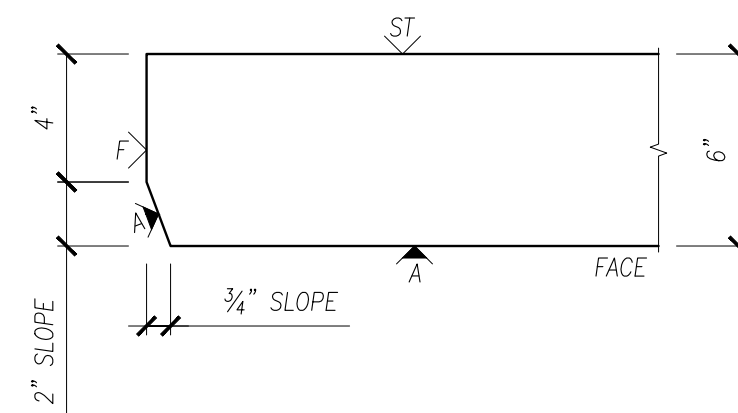
# PRESICION

PRECAST DETAILING

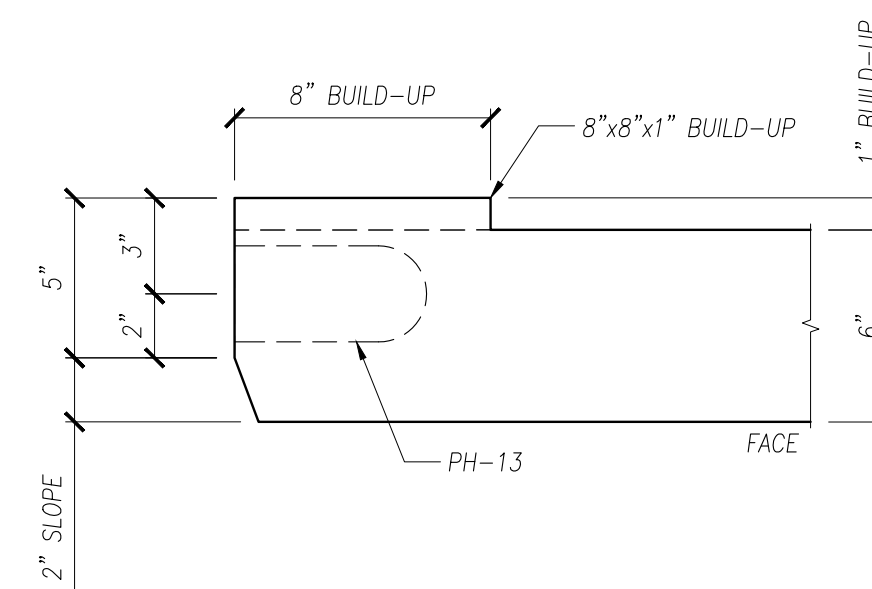
PROJECT:	<b>ARCHITECTURAL SOLID WALL PANEL</b>
LOCATION:	<b>UNDEFINED</b>
CONTRACTOR:	<b>UNDEFINED</b>



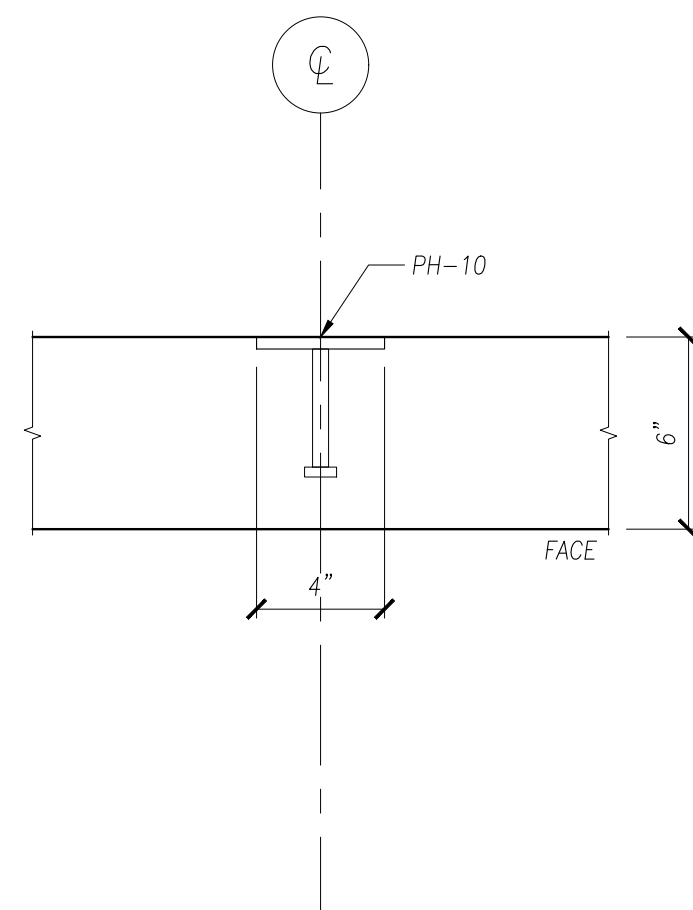
**DETAIL Z37**



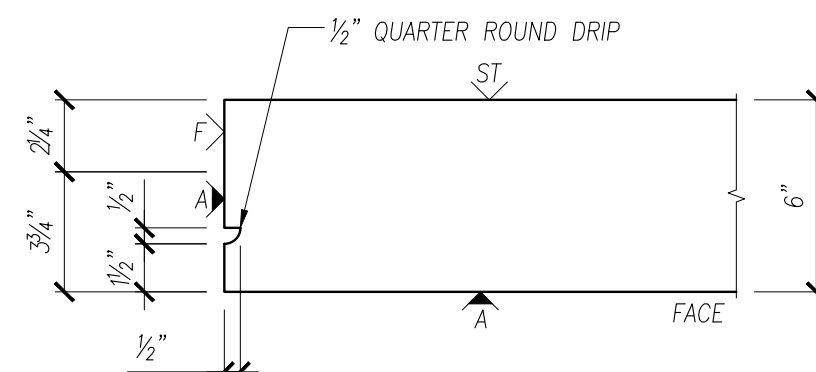
**DETAIL Z38**



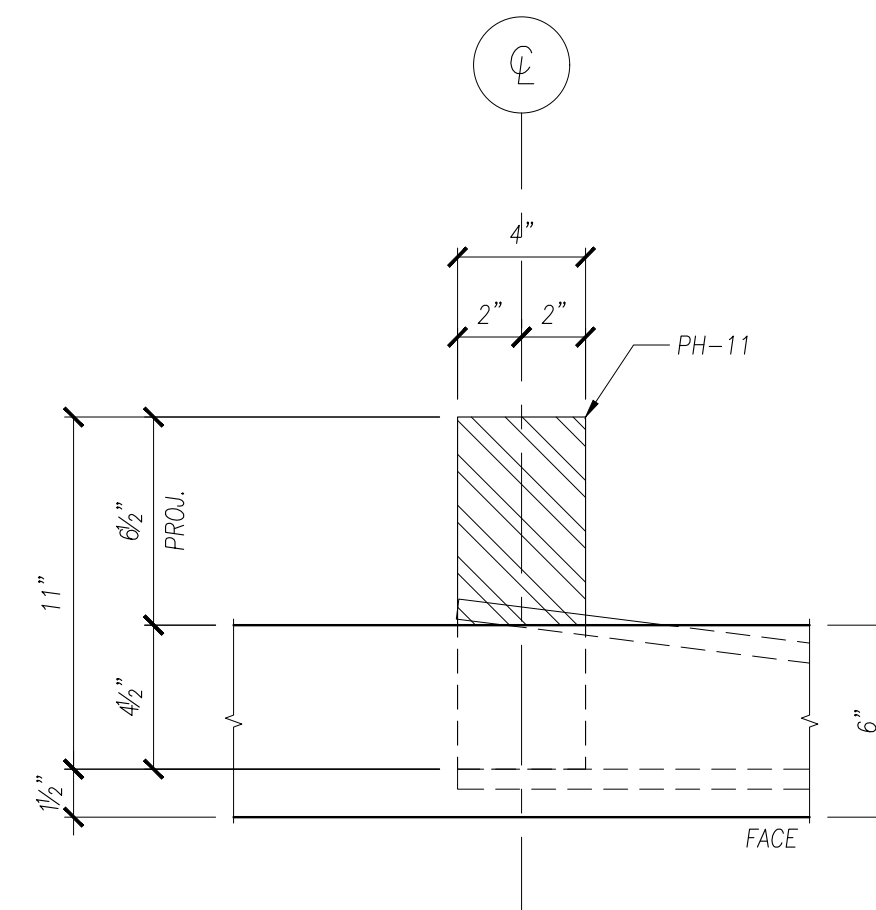
**DETAIL Z39**



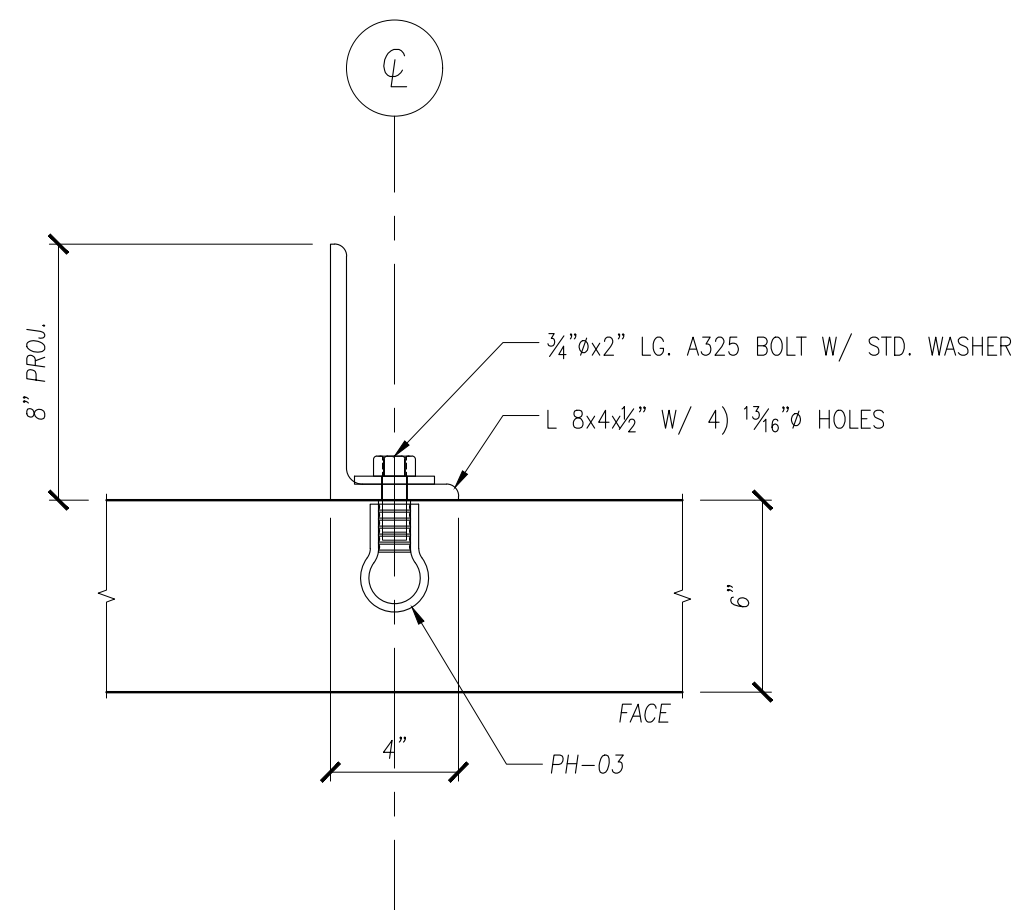
**DETAIL Z40**



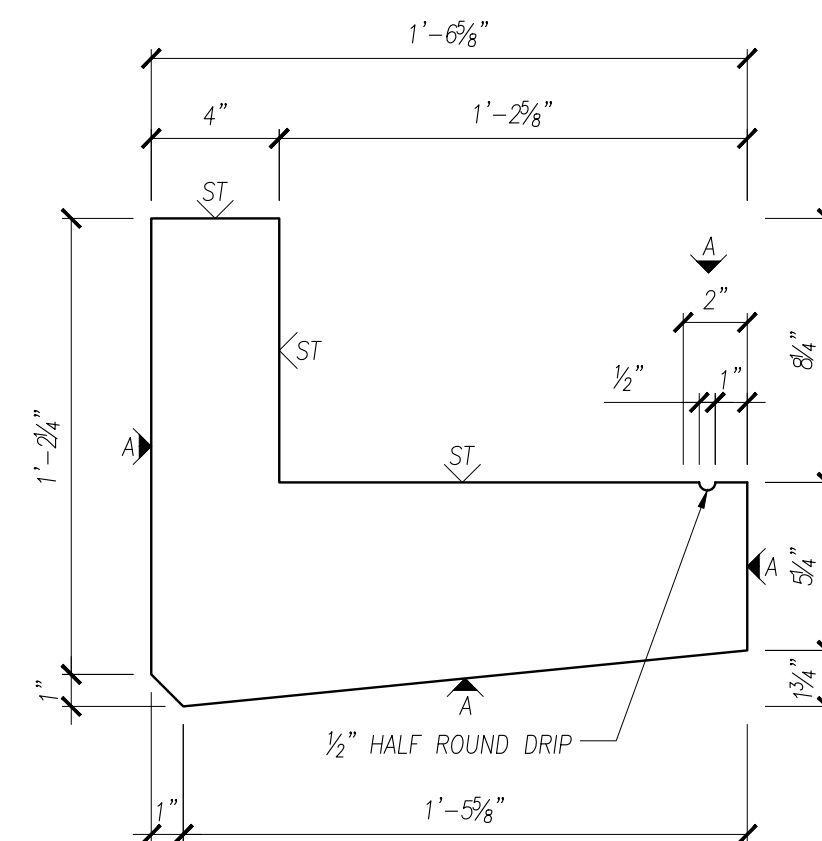
**DETAIL Z41**



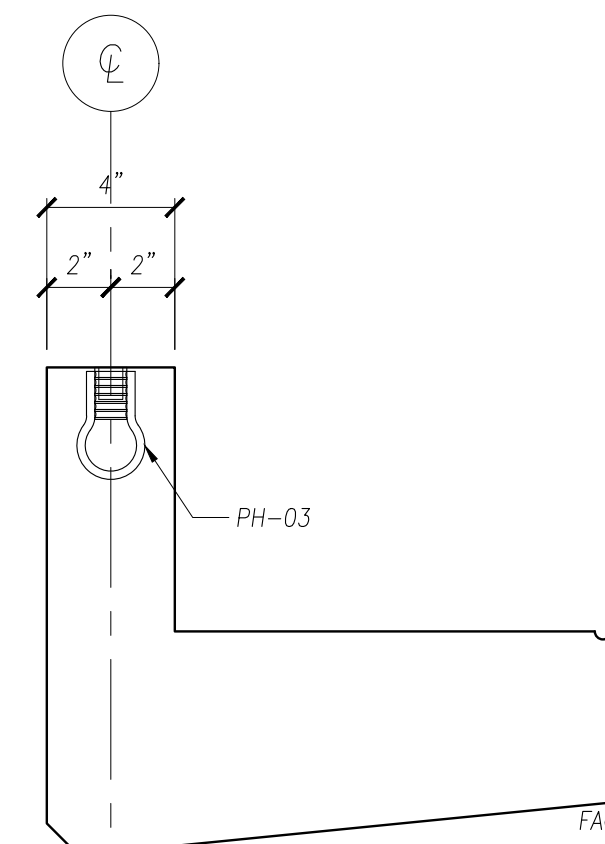
**DETAIL Z42**



**DETAIL Z43**



**DETAIL Z44**



**DETAIL Z45**

## FINISH

A	FORM SIDE - AS PER APPROVED SAMPLE
F	SMOOTH FORM
ST	STEEL-TROWEL
∨	DENOTES EXPOSED TO VIEW FINISHES
∇	DENOTES UNEXPOSED TO VIEW FINISHES

0	ISSUE FOR PRODUCTION	I.N.	XX/XX/XX
NO.	REVISION	BY	DATE

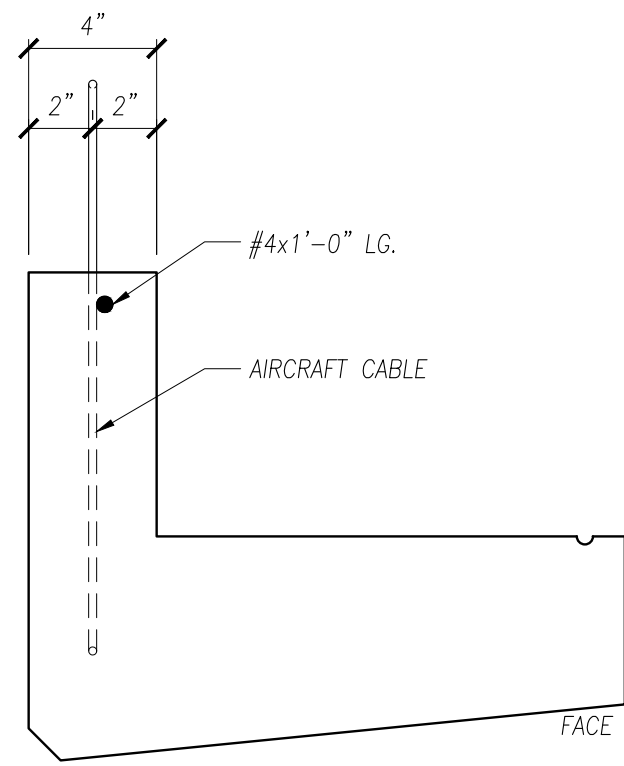
SCALE: 2" = 1'-0"

DRAWN BY	CHECKED BY	PROJECT NUMBER
I.N.	I.N.	<b>DEMO01</b>
SHEET	DRAWING NUMBER	
<b>1 OF 6</b>	<b>DET-005</b>	

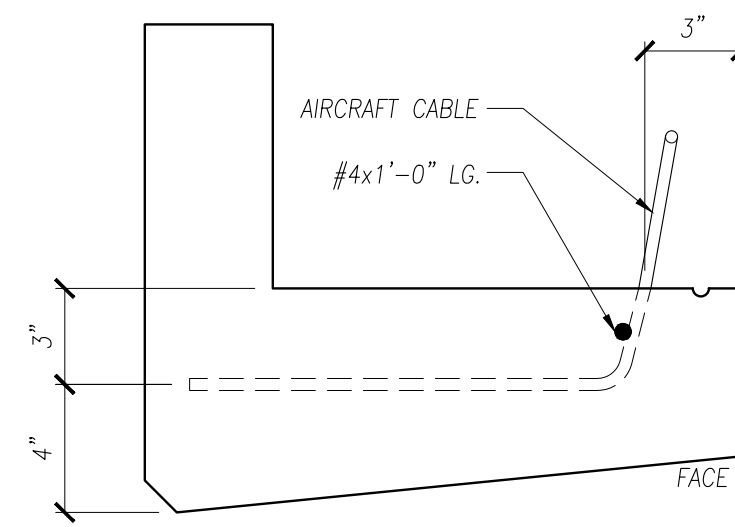
# PRESICION

PRECAST DETAILING

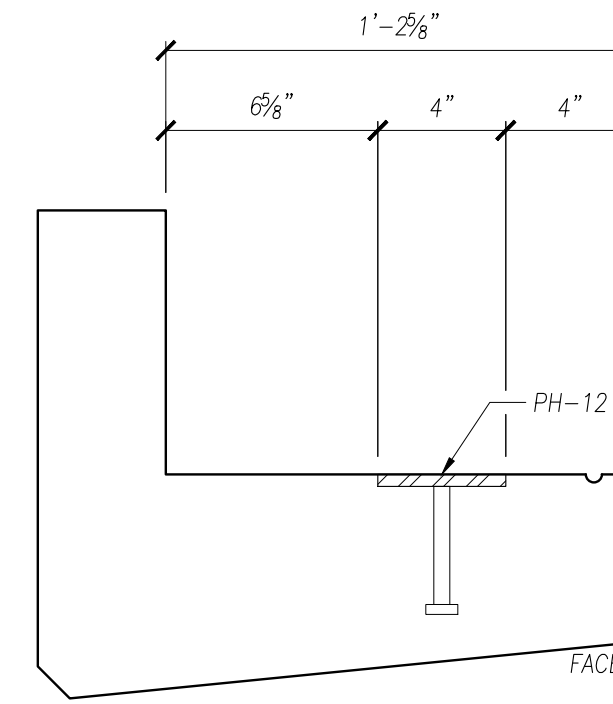
PROJECT:	<b>ARCHITECTURAL SOLID WALL PANEL</b>
LOCATION:	<b>UNDEFINED</b>
CONTRACTOR:	<b>UNDEFINED</b>



**DETAIL Z46**



**DETAIL Z47**



**DETAIL Z48**

## FINISH

A	FORM SIDE - AS PER APPROVED SAMPLE
F	SMOOTH FORM
ST	STEEL-TROWEL
∨	DENOTES EXPOSED TO VIEW FINISHES
∇	DENOTES UNEXPOSED TO VIEW FINISHES

0	ISSUE FOR PRODUCTION	I.N.	XX/XX/XX
NO.	REVISION	BY	DATE

SCALE: 2" = 1'-0"

DRAWN BY	CHECKED BY	PROJECT NUMBER
I.N.	I.N.	<b>DEMO01</b>
SHEET	DRAWING NUMBER	
<b>1 OF 6</b>	<b>DET-006</b>	

# PRESICION

## PRECAST DETAILING

PROJECT:	<b>ARCHITECTURAL SOLID WALL PANEL</b>
LOCATION:	<b>UNDEFINED</b>
CONTRACTOR:	<b>UNDEFINED</b>

### HARDWARE SCHEDULE

MARK	DESCRIPTION	QTY
PH-01	PL 3/4x4x0'-7" w/ 2) #5x3'-6" & 1) #5x2'-6"	2
PH-02	PSA 6035 NUT TYPE SLOTTED INSERT	6
PH-03	3/4"Ø MB FX5 FERRULE LOOP INSERT	1
PH-04	L 4x4x3/8x0'-6" w/ 3/4"Ø HEX FERRULE INS. & 2) #5x1'-5"	1
PH-14	PL 1x6x0'-7" w/ 4) 1/2"Øx1'-6" DBA	1
	#4x3'-3" LG.	2
	1/2" AIRCRAFT CABLE w/ #4x1'-0"	8

### FINISH

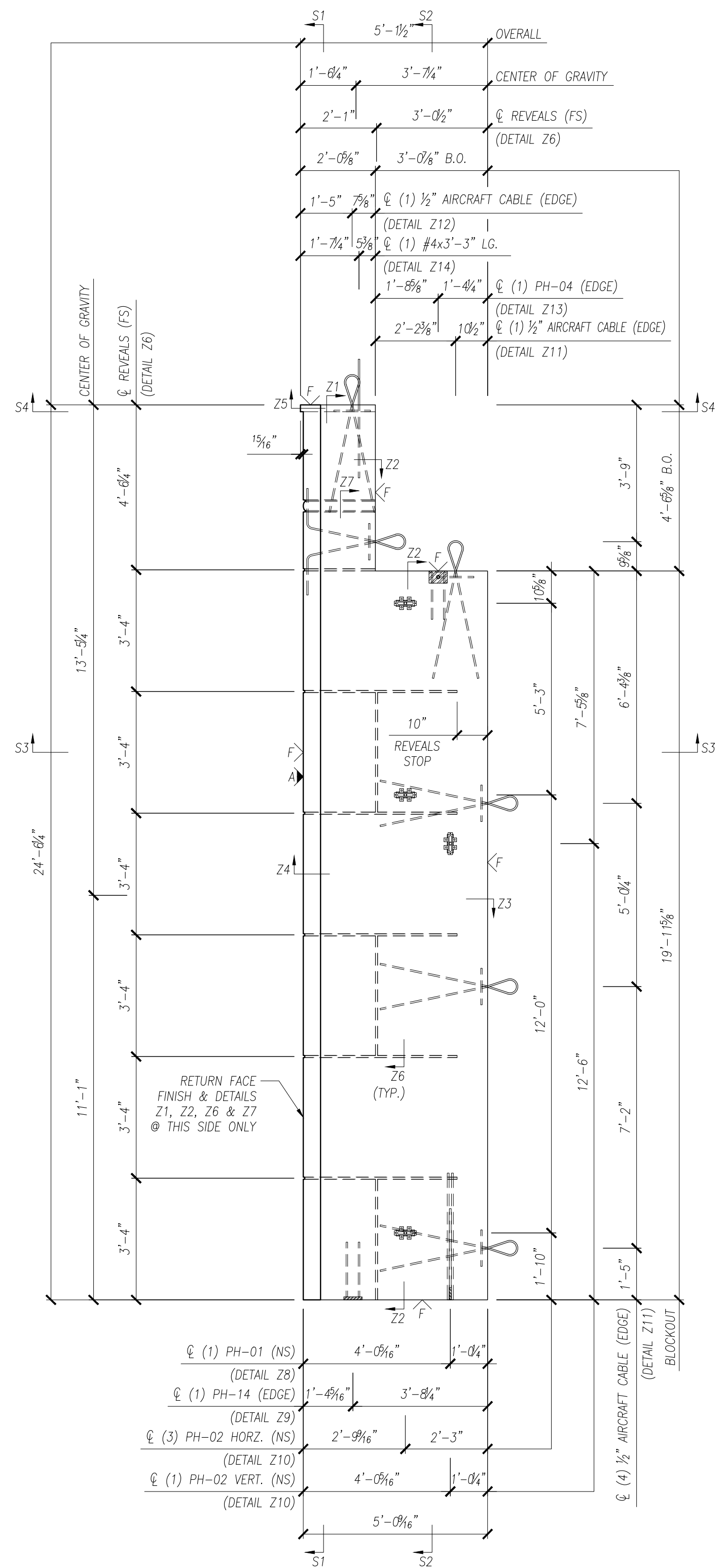
A	FORM SIDE - AS PER APPROVED SAMPLE
F	SMOOTH FORM
ST	STEEL-TROWEL
∨	DENOTES EXPOSED TO VIEW FINISHES
∇	DENOTES UNEXPOSED TO VIEW FINISHES

SAMPLE	XXXXXX	
AREA (SQ. FT.)	VOLUME (CU. FT.)	WEIGHT (LBS.)
172.75	94.00	14,100
CONCRETE TYPE	28 DAY STRENGTH	STRIPPING STRENGTH
(PSI)	5,000	2,500

0	ISSUE FOR PRODUCTION	I.N.	XX/XX/XX
NO.	REVISION	BY	DATE

SCALE: 3/8" = 1'-0"

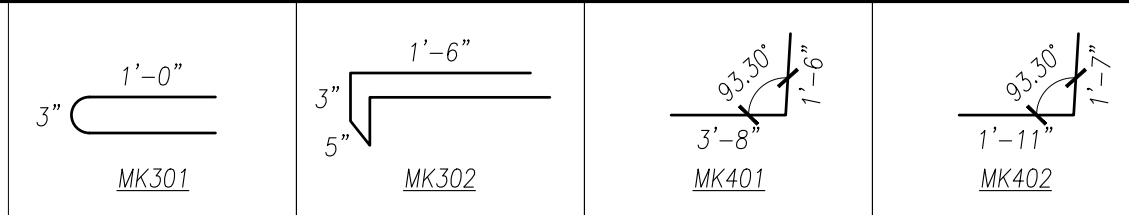
DRAWN BY	CHECKED BY	PROJECT NUMBER
I.N.	I.N.	<b>DEMO01</b>
REFERENCE		
2/E3.01		DRAWING NUMBER
QUANTITY	SHEET	
<b>ONE</b>	<b>1 OF 3</b>	<b>W-001</b>



**BACK ELEVATION**

NOTES:  
 - SEE W-001A FOR SECTIONS.  
 - SEE W-001R FOR REINFORCEMENT.  
 - SEE DET-XXX FOR DETAILS.





# PRESICION

## PRECAST DETAILING

PROJECT:	<b>ARCHITECTURAL SOLID WALL PANEL</b>
LOCATION:	<b>UNDEFINED</b>
CONTRACTOR:	<b>UNDEFINED</b>

### REINFORCEMENT SCHEDULE

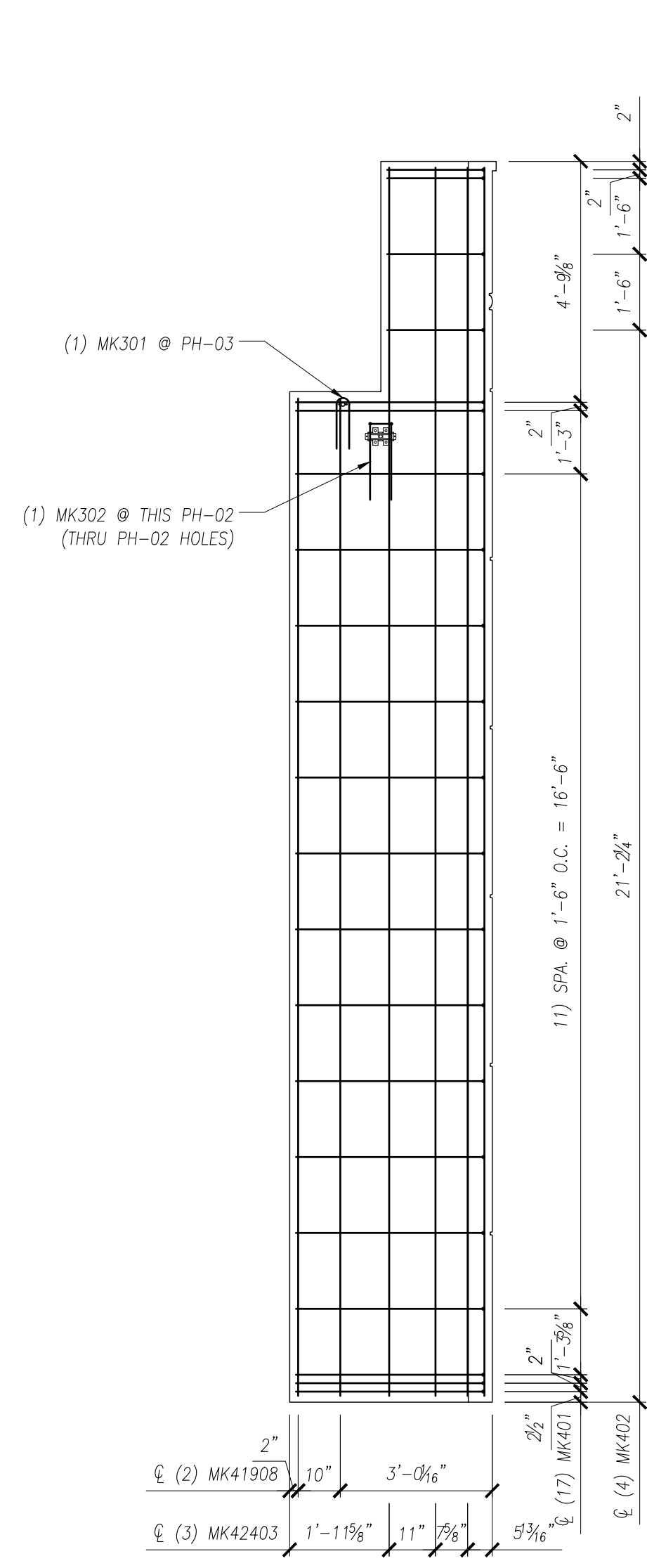
MARK	DESCRIPTION	QTY
MK301	#3 BENT BAR x 2'-2" LG.	1
MK302	#3 BENT BAR x 3'-11" LG.	2
MK401	#4 BENT BAR x 5'-2" LG.	17
MK402	#4 BENT BAR x 3'-6" LG.	4
MK40406	#4 BAR x 4'-6" LG.	17
MK40705	#4 BAR x 7'-5" LG.	1
MK41908	#4 BAR x 19'-8" LG.	6
MK42403	#4 BAR x 24'-3" LG.	5

MESH: ASTM A185 (65 KSI YIELD)  
REBAR: ASTM A615 (60 KSI YIELD)

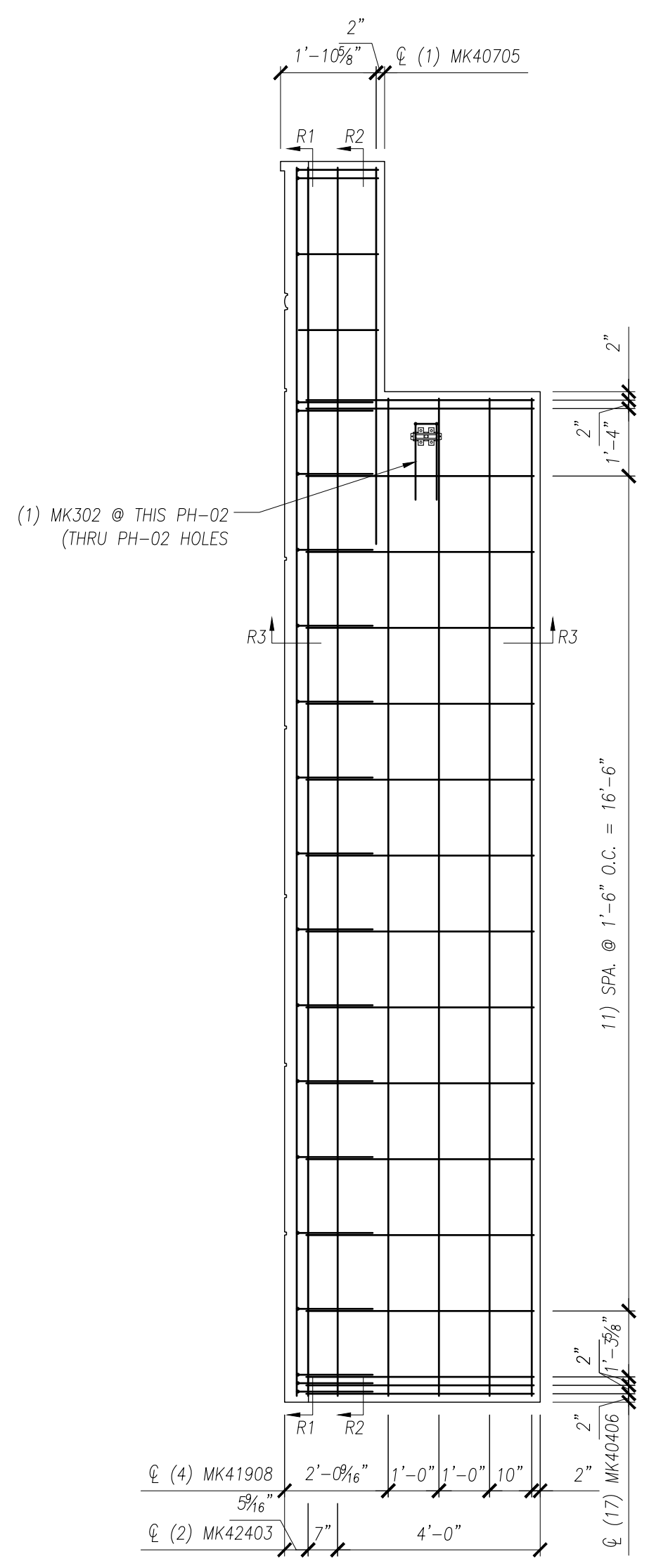
0	ISSUE FOR PRODUCTION	I.N.	XX/XX/XX
NO.	REVISION	BY	DATE

SCALE: 3/8" = 1'-0"

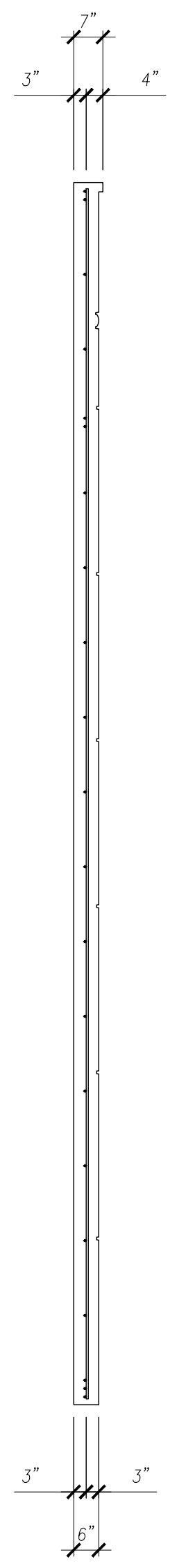
DRAWN BY	CHECKED BY	PROJECT NUMBER
I.N.	I.N.	<b>DEMO01</b>
REFERENCE		
2/E3.01		DRAWING NUMBER
QUANTITY	SHEET	
<b>ONE</b>	<b>3 OF 3</b>	<b>W-001R</b>



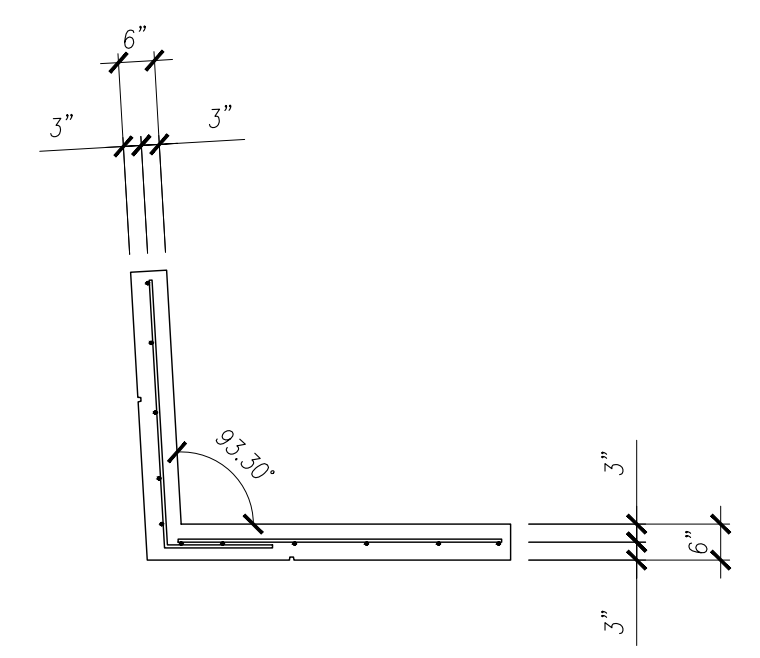
**REINFORCING SECTION R1**



**REINFORCING BACK ELEVATION**



**REINFORCING SECTION R2**



**REINFORCING SECTION R3**

# PRESICION

## PRECAST DETAILING

PROJECT:	<b>ARCHITECTURAL SOLID WALL PANEL</b>
LOCATION:	<b>UNDEFINED</b>
CONTRACTOR:	<b>UNDEFINED</b>

### HARDWARE SCHEDULE

MARK	DESCRIPTION	QTY
PH-01	PL 3/4x4x0'-7" w/ 2) #5x3'-6" & 1) #5x2'-6"	2
PH-02	PSA 6035 NUT TYPE SLOTTED INSERT	2
PH-03	3/4"Ø MB FX5 FERRULE LOOP INSERT	1
PH-04	L 4x4x3/8x0'-6" w/ 3/4"Ø HEX FERRULE INS. & 2) #5x1'-5"	1
	3/8" AIRCRAFT CABLE w/ #4x1'-0"	4

### FINISH

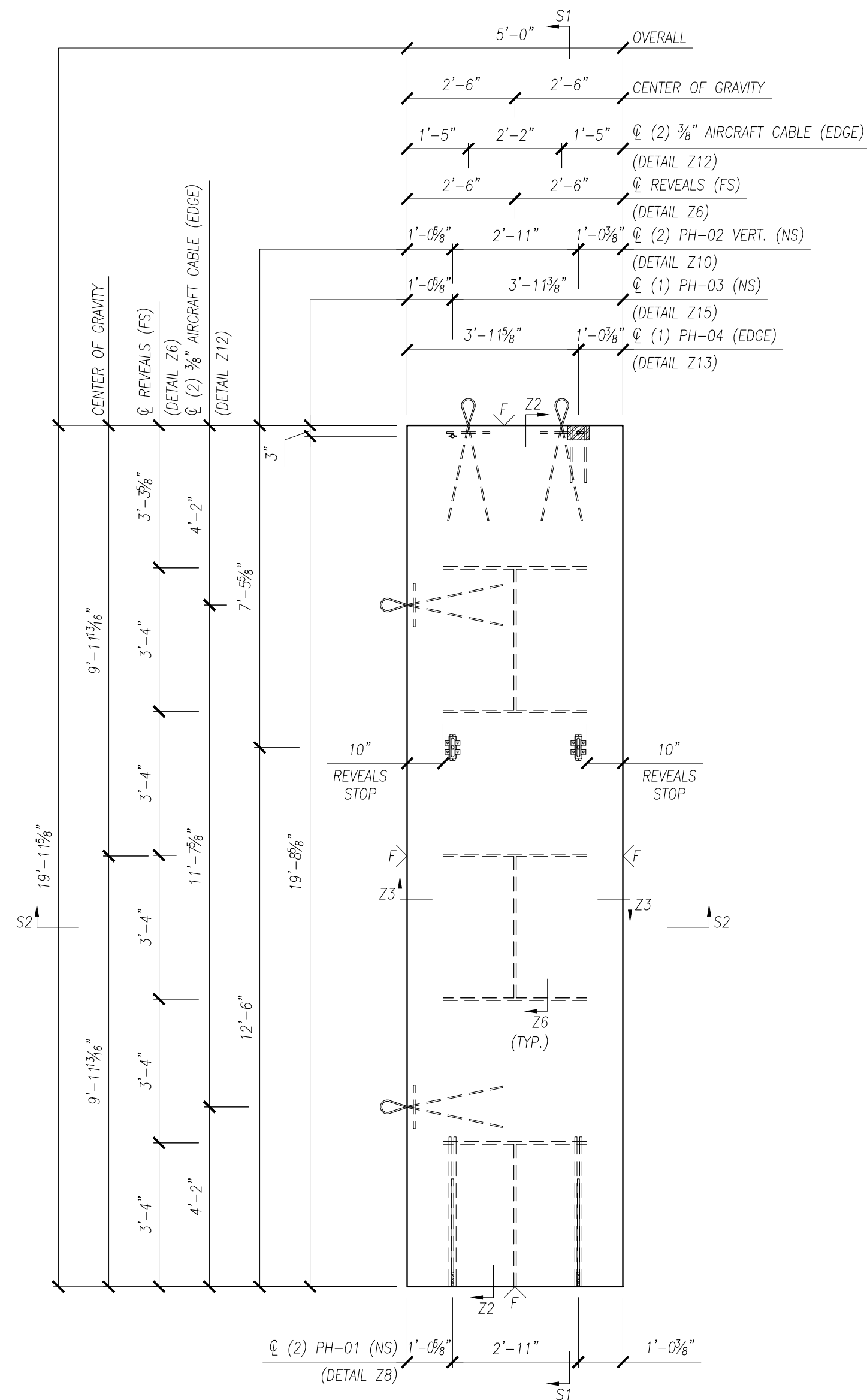
A	FORM SIDE - AS PER APPROVED SAMPLE
F	SMOOTH FORM
ST	STEEL-TROWEL
∨	DENOTES EXPOSED TO VIEW FINISHES
∇	DENOTES UNEXPOSED TO VIEW FINISHES

SAMPLE	XXXXXX	
AREA (SQ. FT.)	VOLUME (CU. FT.)	WEIGHT (LBS.)
68.53	49.86	7,480
CONCRETE TYPE (PSI)	28 DAY STRENGTH	STRIPPING STRENGTH
	5,000	2,500

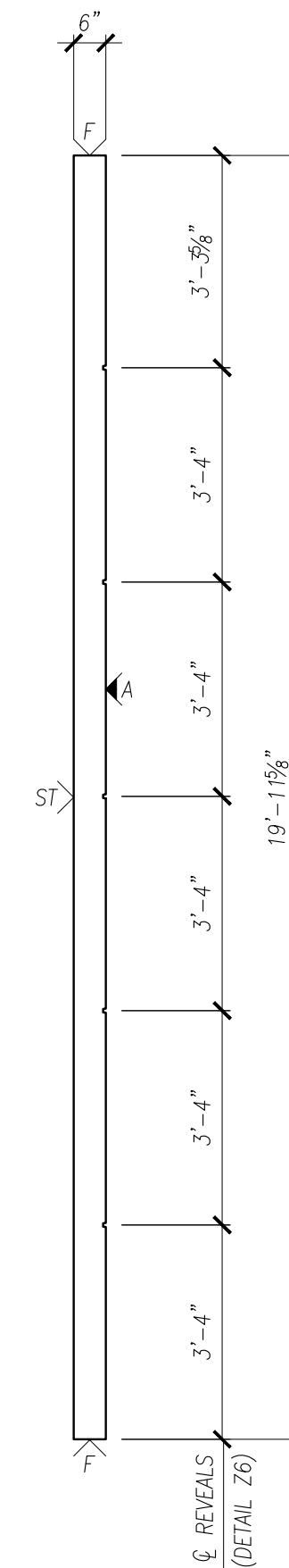
0	ISSUE FOR PRODUCTION	I.N.	XX/XX/XX
NO.	REVISION	BY	DATE

SCALE: 3/8" = 1'-0"

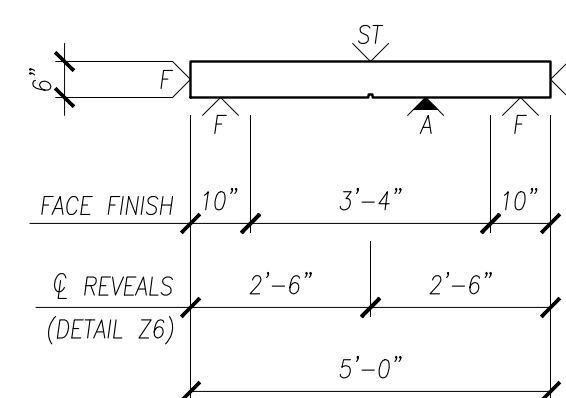
DRAWN BY	CHECKED BY	PROJECT NUMBER
I.N.	I.N.	<b>DEMO01</b>
REFERENCE		
2/E3.01		DRAWING NUMBER
<b>ONE</b>	<b>1 OF 2</b>	<b>W-002</b>



**BACK ELEVATION**



**SECTION S1**



**SECTION S2**

NOTES:  
 - SEE W-002R FOR REINFORCEMENT.  
 - SEE DET-XXX FOR DETAILS.



# PRESICION

## PRECAST DETAILING

PROJECT:	<b>ARCHITECTURAL SOLID WALL PANEL</b>
LOCATION:	<b>UNDEFINED</b>
CONTRACTOR:	<b>UNDEFINED</b>

### HARDWARE SCHEDULE

MARK	DESCRIPTION	QTY
PH-01	PL 3/4x4x0'-7" w/ 2) #5x3'-6" & 1) #5x2'-6"	2
PH-02	PSA 6035 NUT TYPE SLOTTED INSERT	2
PH-03	3/4"Ø MB FX5 FERRULE LOOP INSERT	1
PH-04	L 4x4x3/8x0'-6" w/ 3/4"Ø HEX FERRULE INS. & 2) #5x1'-5"	1
	3/8" AIRCRAFT CABLE w/ #4x1'-0"	4

### FINISH

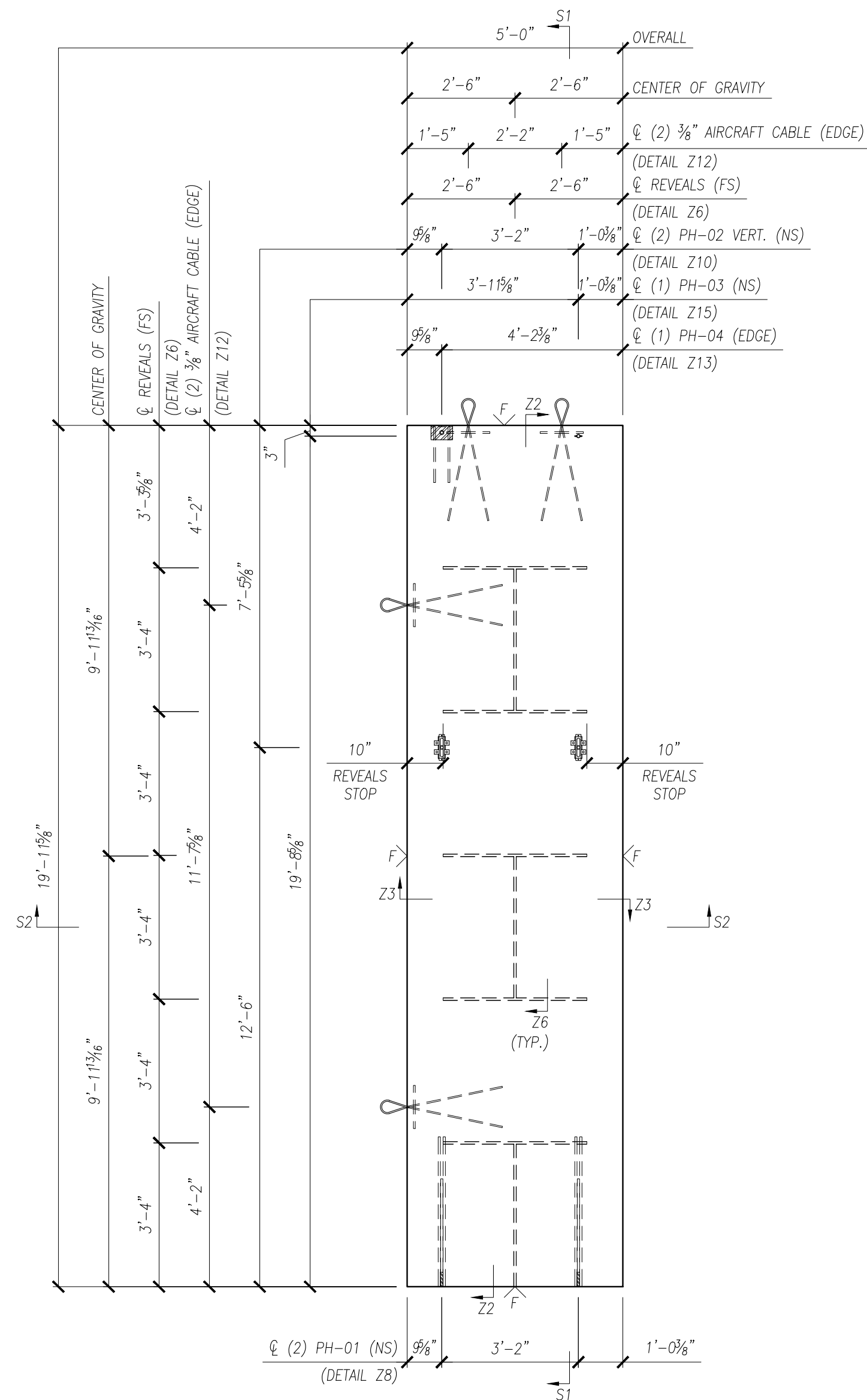
A	FORM SIDE - AS PER APPROVED SAMPLE
F	SMOOTH FORM
ST	STEEL-TROWEL
∨	DENOTES EXPOSED TO VIEW FINISHES
∇	DENOTES UNEXPOSED TO VIEW FINISHES

SAMPLE	XXXXXX	
AREA (SQ. FT.)	VOLUME (CU. FT.)	WEIGHT (LBS.)
68.53	49.86	7,480
CONCRETE TYPE (PSI)	28 DAY STRENGTH	STRIPPING STRENGTH
	5,000	2,500

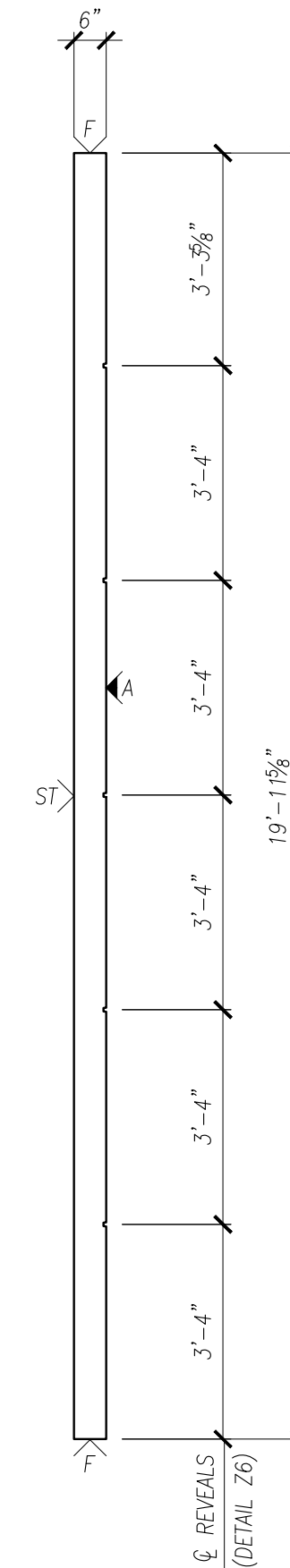
0	ISSUE FOR PRODUCTION	I.N.	XX/XX/XX
NO.	REVISION	BY	DATE

SCALE: 3/8" = 1'-0"

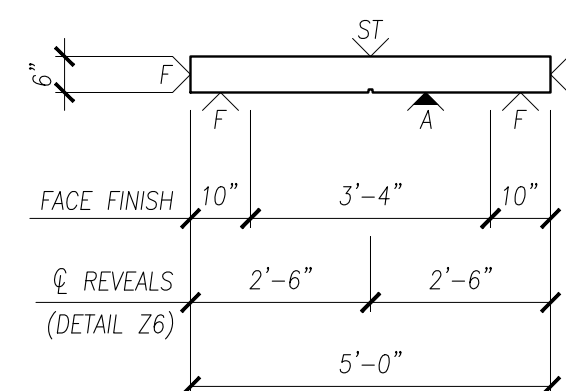
DRAWN BY	CHECKED BY	PROJECT NUMBER
I.N.	I.N.	<b>DEMO01</b>
REFERENCE		
2/E3.01		DRAWING NUMBER
<b>ONE</b>	<b>1 OF 2</b>	<b>W-003</b>



**BACK ELEVATION**



**SECTION S1**



**SECTION S2**

NOTES:  
 - SEE W-003R FOR REINFORCEMENT.  
 - SEE DET-XXX FOR DETAILS.



# PRESICION

## PRECAST DETAILING

PROJECT:	<b>ARCHITECTURAL SOLID WALL PANEL</b>
LOCATION:	<b>UNDEFINED</b>
CONTRACTOR:	<b>UNDEFINED</b>

### HARDWARE SCHEDULE

MARK	DESCRIPTION	QTY
PH-01	PL $\frac{3}{4}$ x4x0'-7" w/ 2) #5x3'-6" & 1) #5x2'-6"	2
PH-02	PSA 6035 NUT TYPE SLOTTED INSERT	2
PH-03	$\frac{3}{4}$ "Ø MB FX5 FERRULE LOOP INSERT	1
	$\frac{1}{4}$ " AIRCRAFT CABLE w/ #4x1'-0"	4

### FINISH

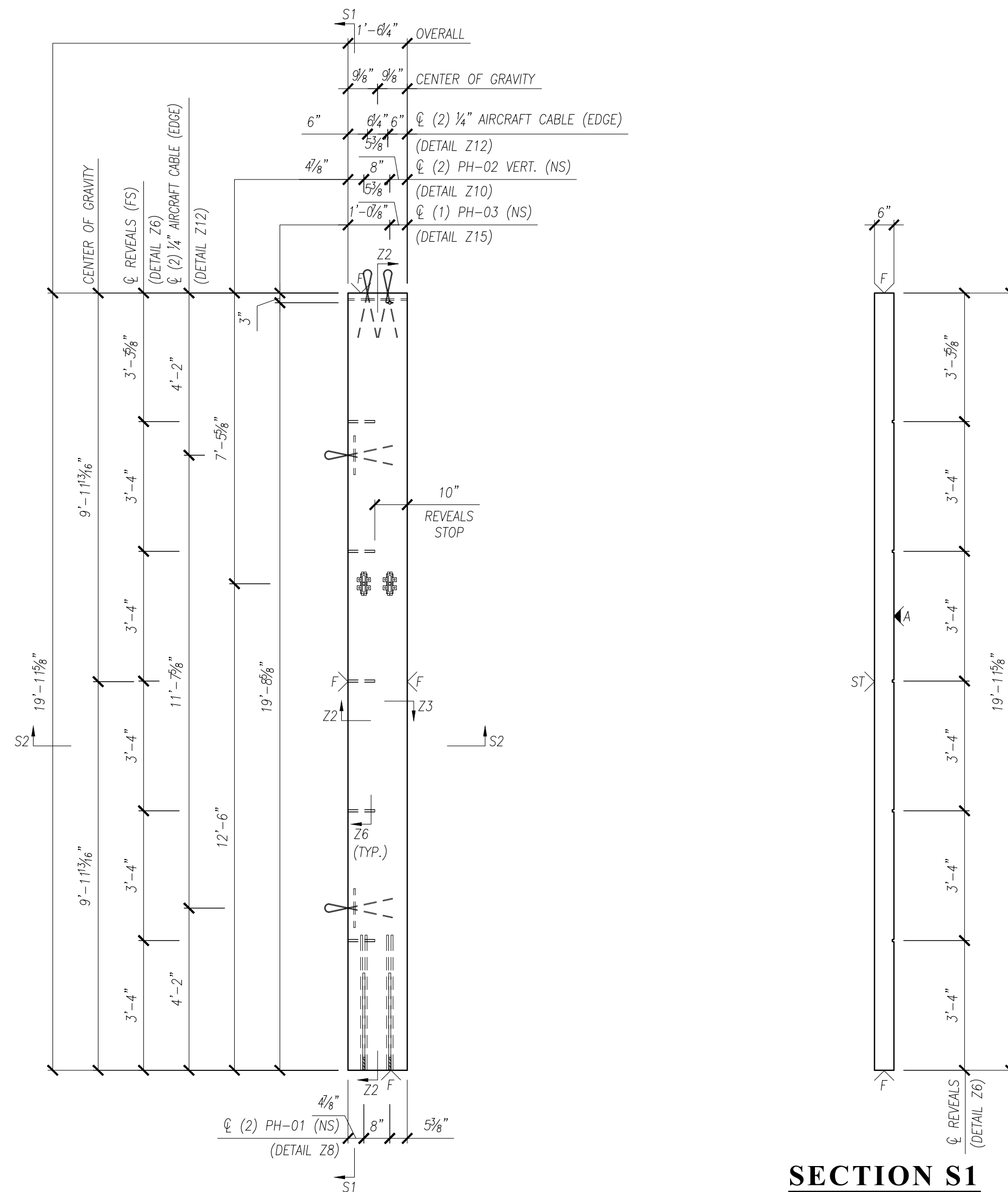
A	FORM SIDE - AS PER APPROVED SAMPLE
F	SMOOTH FORM
ST	STEEL-TROWEL
∨	DENOTES EXPOSED TO VIEW FINISHES
∇	DENOTES UNEXPOSED TO VIEW FINISHES

SAMPLE	XXXXXX	
AREA (SQ. FT.)	VOLUME (CU. FT.)	WEIGHT (LBS.)
14.00	15.18	2,280
CONCRETE TYPE	28 DAY STRENGTH	STRIPPING STRENGTH
(PSI)	5,000	2,500

0	ISSUE FOR PRODUCTION	I.N.	XX/XX/XX
NO.	REVISION	BY	DATE

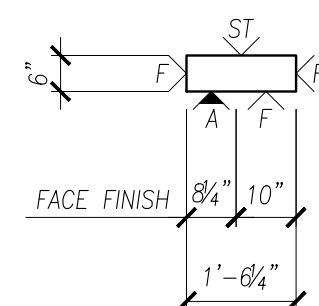
SCALE:  $\frac{3}{8}$ " = 1'-0"

DRAWN BY	CHECKED BY	PROJECT NUMBER
I.N.	I.N.	<b>DEMO01</b>
REFERENCE		
2/E3.01		
QUANTITY	SHEET	DRAWING NUMBER
<b>ONE</b>	<b>1 OF 2</b>	<b>W-004</b>



**BACK ELEVATION**

**SECTION S1**



**SECTION S2**

NOTES:  
 - SEE W-004R FOR REINFORCEMENT.  
 - SEE DET-XXX FOR DETAILS.



# PRESICION

## PRECAST DETAILING

PROJECT:	<b>ARCHITECTURAL SOLID WALL PANEL</b>
LOCATION:	<b>UNDEFINED</b>
CONTRACTOR:	<b>UNDEFINED</b>

### HARDWARE SCHEDULE

MARK	DESCRIPTION	QTY
PH-02	PSA 6035 NUT TYPE SLOTTED INSERT	8
PH-03	3/4"Ø MB FX5 FERRULE LOOP INSERT	4
PH-04	L 4x4x3/8x0'-6" w/ 3/4"Ø HEX FERRULE INS. & 2) #5x1'-5"	2
PH-06	L 4x4x3/8x0'-6" w/4) #4x1'-6"	3
	#4x3'-3" LG.	6
	1/2" AIRCRAFT CABLE w/ #4x1'-0"	4

### FINISH

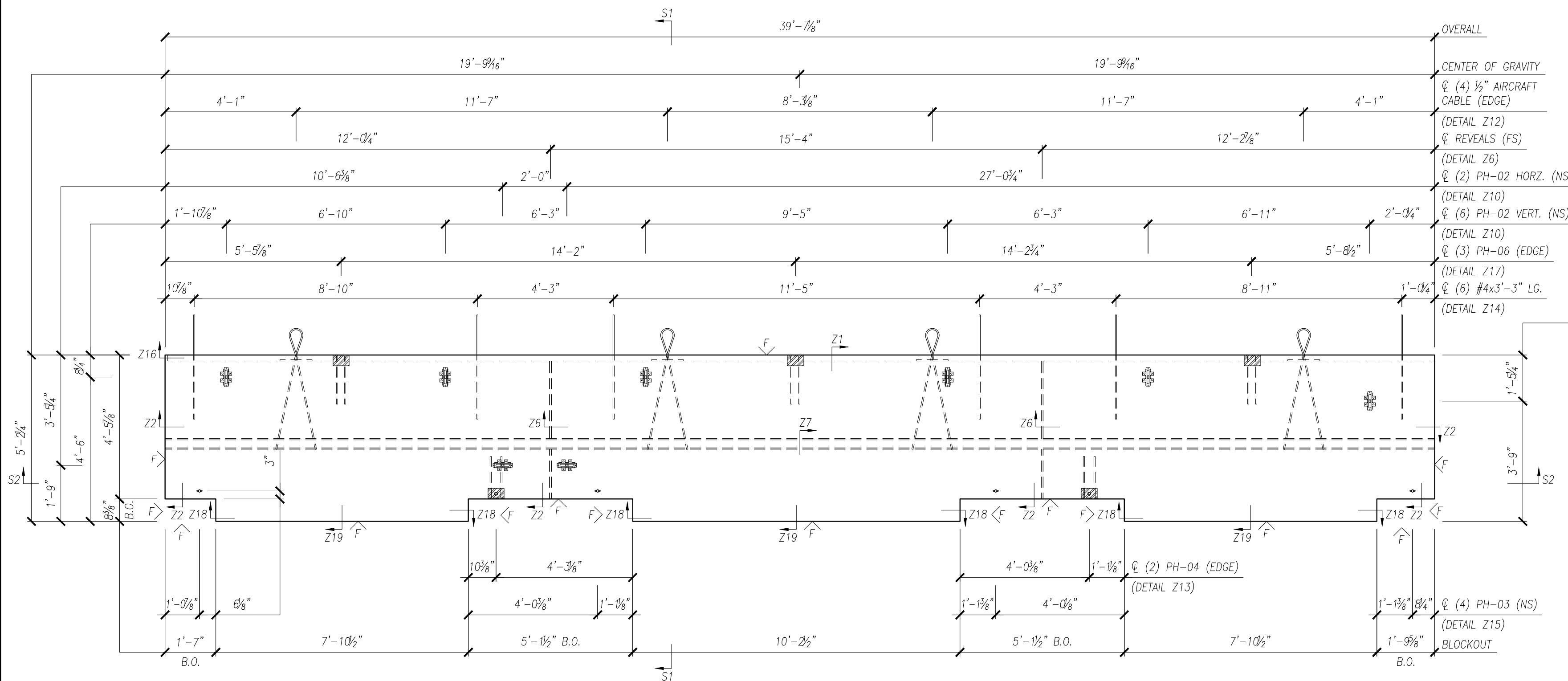
A	FORM SIDE - AS PER APPROVED SAMPLE
F	SMOOTH FORM
ST	STEEL-TROWEL
∨	DENOTES EXPOSED TO VIEW FINISHES
∇	DENOTES UNEXPOSED TO VIEW FINISHES

SAMPLE	XXXXXX	
AREA (SQ. FT.)	VOLUME (CU. FT.)	WEIGHT (LBS.)
188.69	98.23	14,735
CONCRETE TYPE	28 DAY STRENGTH	STRIPPING STRENGTH
(PSI)	5,000	2,500

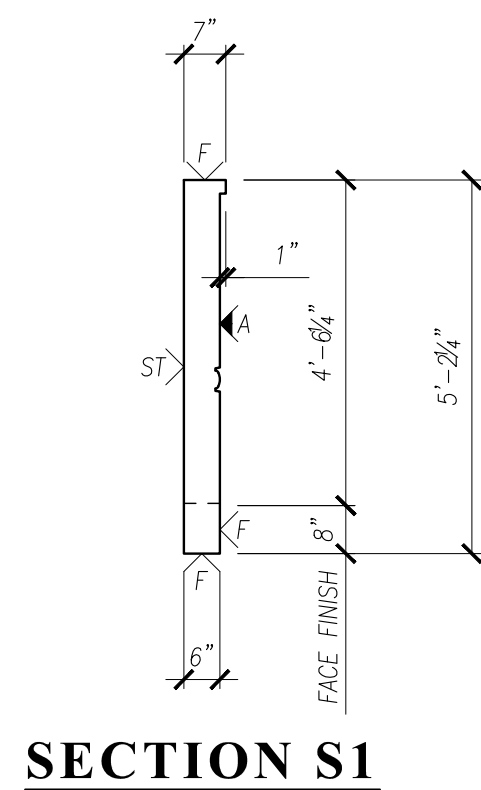
0	ISSUE FOR PRODUCTION	I.N.	XX/XX/XX
NO.	REVISION	BY	DATE

SCALE: 3/8" = 1'-0"

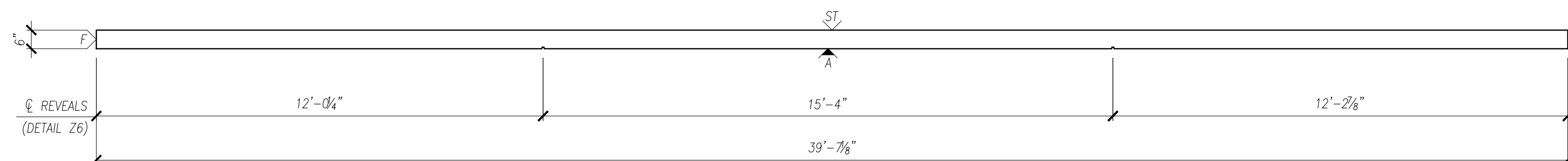
DRAWN BY	CHECKED BY	PROJECT NUMBER
I.N.	I.N.	<b>DEMO01</b>
REFERENCE		
2/E3.01		DRAWING NUMBER
QUANTITY	SHEET	
<b>ONE</b>	<b>1 OF 2</b>	<b>W-005</b>



**BACK ELEVATION**

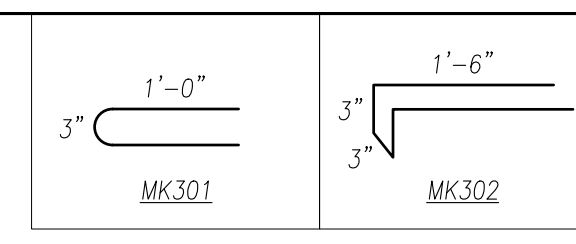


**SECTION S1**



**SECTION S2**

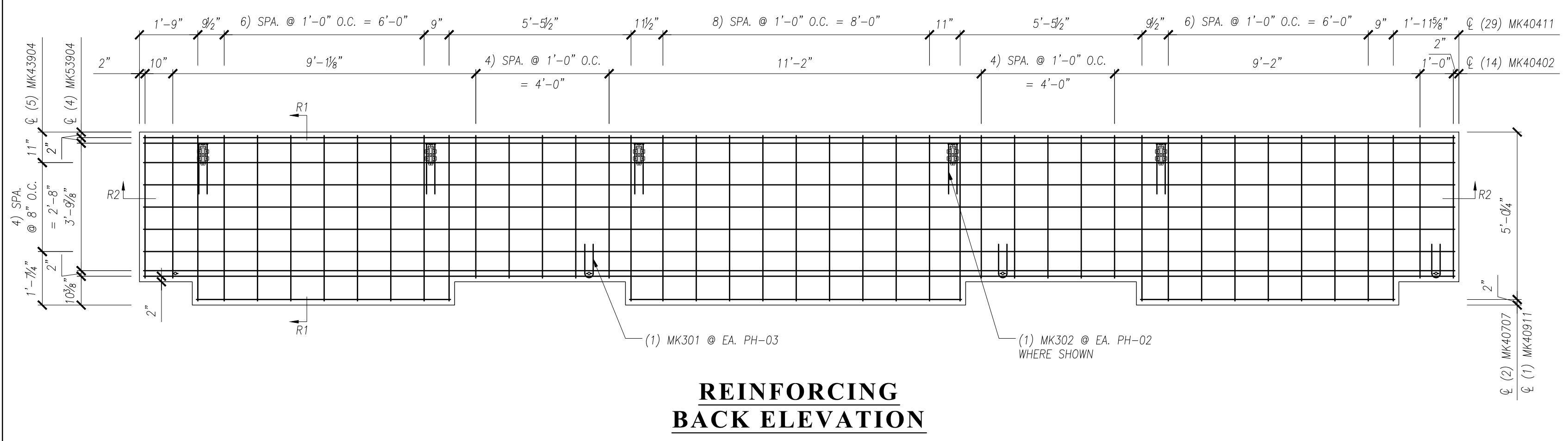
NOTES:  
 - SEE W-005R FOR REINFORCEMENT.  
 - SEE DET-XXX FOR DETAILS.



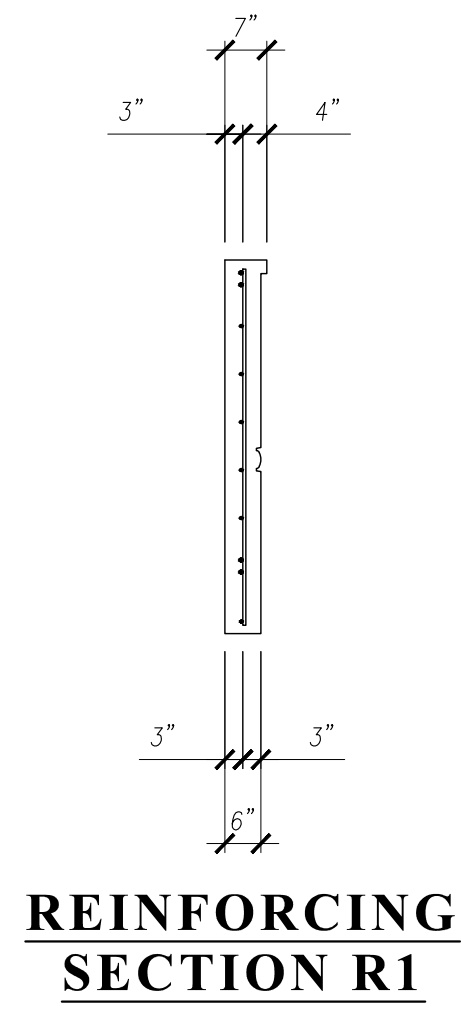
# PRESICION

PRECAST DETAILING

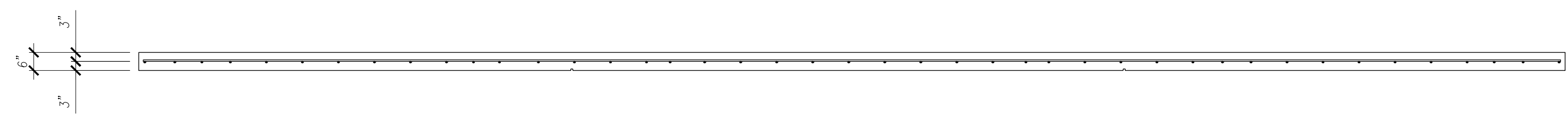
PROJECT:	<b>ARCHITECTURAL SOLID WALL PANEL</b>
LOCATION:	<b>UNDEFINED</b>
CONTRACTOR:	<b>UNDEFINED</b>



## REINFORCING BACK ELEVATION



## REINFORCING SECTION R1



## REINFORCING SECTION R2

### REINFORCEMENT SCHEDULE

MARK	DESCRIPTION	QTY
MK301	#3 BENT BAR x 2'-2" LG.	4
MK302	#3 BENT BAR x 3'-9" LG.	5
MK40402	#4 BAR x 4'-2" LG.	14
MK40411	#4 BAR x 4'-11" LG.	29
MK40707	#4 BAR x 7'-7" LG.	2
MK40911	#4 BAR x 9'-11" LG.	1
MK43904	#4 BAR x 39'-4" LG.	4
MK53904	#5 BAR x 39'-4" LG.	5

MESH: ASTM A185 (65 KSI YIELD)  
REBAR: ASTM A615 (60 KSI YIELD)

0	ISSUE FOR PRODUCTION	I.N.	XX/XX/XX
NO.	REVISION	BY	DATE

SCALE: 3/8" = 1'-0"

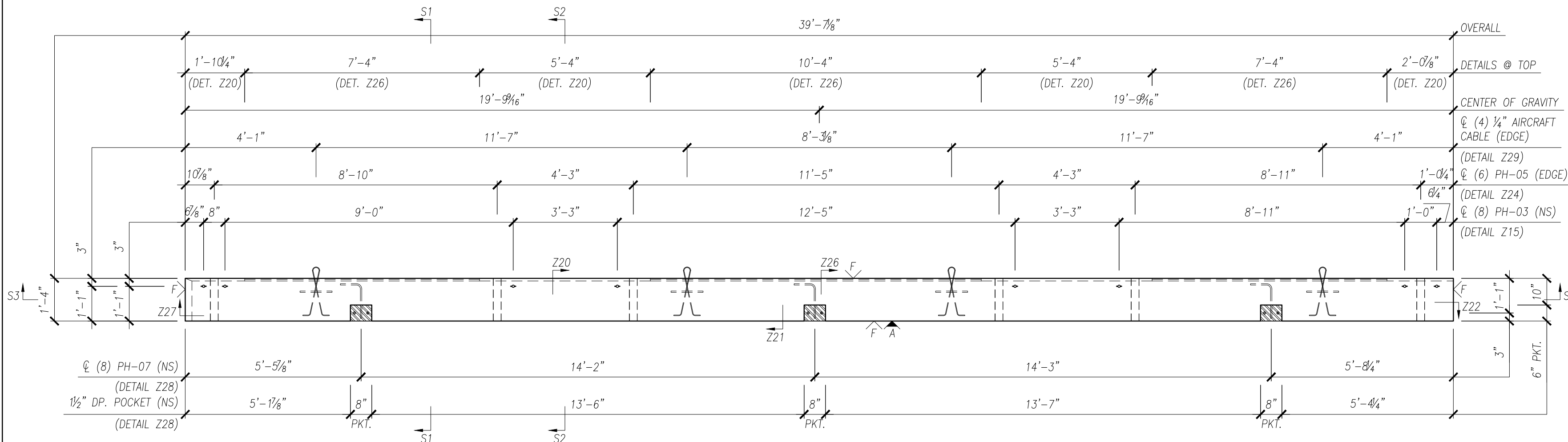
DRAWN BY	CHECKED BY	PROJECT NUMBER
I.N.	I.N.	<b>DEMO01</b>
REFERENCE		
2/E3.01		DRAWING NUMBER
QUANTITY	SHEET	
<b>ONE</b>	<b>2 OF 2</b>	<b>W-005R</b>



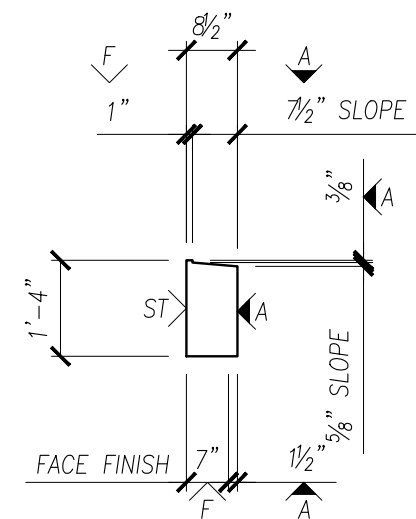


# PRESICION

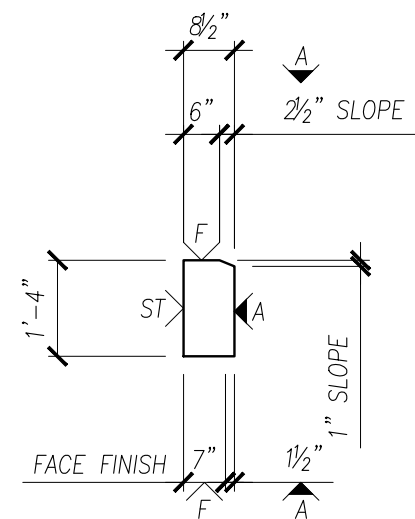
## PRECAST DETAILING



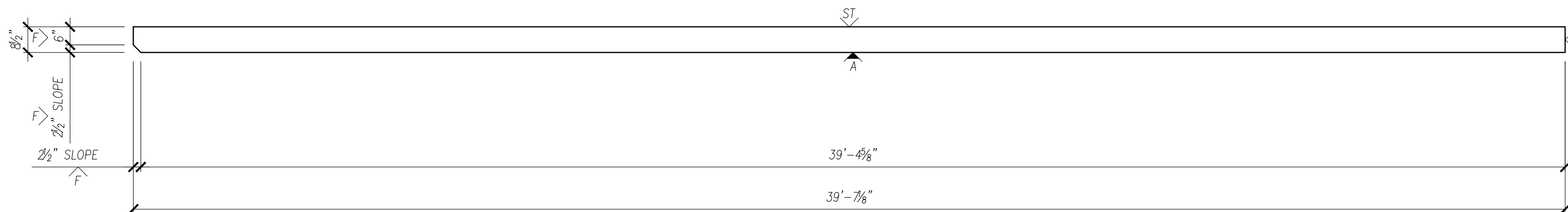
**BACK ELEVATION**



**SECTION S1**



**SECTION S2**



**SECTION S3**

NOTES:  
 - SEE W-007R FOR REINFORCEMENT.  
 - SEE DET-XXX FOR DETAILS.

PROJECT:	<b>ARCHITECTURAL SOLID WALL PANEL</b>
LOCATION:	<b>UNDEFINED</b>
CONTRACTOR:	<b>UNDEFINED</b>

### HARDWARE SCHEDULE

MARK	DESCRIPTION	QTY
PH-03	3/4"Ø MB FX5 FERRULE LOOP INSERT	8
PH-05	L 3"Øx1'-4" DP. PLASTIC SLEEVE	6
PH-07	PL 3/8x6x0'-8" w/ 2) 1/2"Øx4" HCA & 1) #4x1'-9"	3
	1/4" AIRCRAFT CABLE w/ #4x1'-0"	4

### FINISH

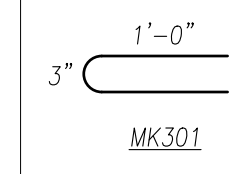
A	FORM SIDE - AS PER APPROVED SAMPLE
F	SMOOTH FORM
ST	STEEL-TROWEL
∨	DENOTES EXPOSED TO VIEW FINISHES
∇	DENOTES UNEXPOSED TO VIEW FINISHES

SAMPLE	XXXXXX	
AREA (SQ. FT.)	VOLUME (CU. FT.)	WEIGHT (LBS.)
74.03	36.23	5,435
CONCRETE TYPE	28 DAY STRENGTH	STRIPPING STRENGTH
(PSI)	5,000	2,500

0	ISSUE FOR PRODUCTION	I.N.	XX/XX/XX
NO.	REVISION	BY	DATE

SCALE: 3/8" = 1'-0"

DRAWN BY	CHECKED BY	PROJECT NUMBER
I.N.	I.N.	<b>DEMO01</b>
REFERENCE		
2/E3.01		DRAWING NUMBER
<b>ONE</b>	<b>1 OF 2</b>	<b>W-007</b>



# PRESICION

## PRECAST DETAILING

PROJECT:	<b>ARCHITECTURAL SOLID WALL PANEL</b>
LOCATION:	<b>UNDEFINED</b>
CONTRACTOR:	<b>UNDEFINED</b>

### REINFORCEMENT SCHEDULE

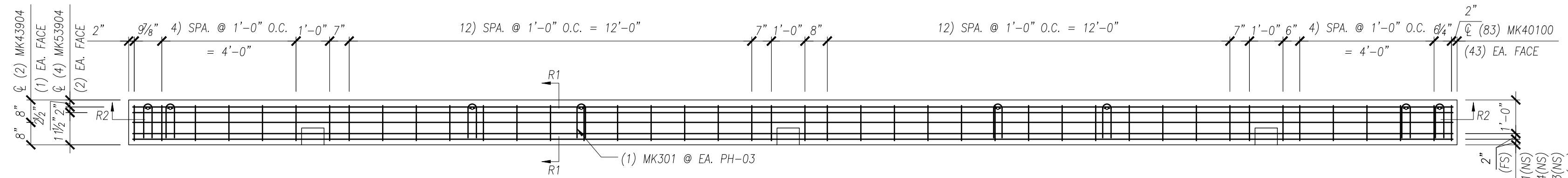
MARK	DESCRIPTION	QTY
MK301	#3 BENT BAR x 2'-2" LG.	8
MK40100	#4 BAR x 4'-2" LG.	86
MK43904	#4 BAR x 4'-11" LG.	2
MK50410	#5 BAR x 4'-10" LG.	2
MK50501	#5 BAR x 5'-1" LG.	2
MK51303	#5 BAR x 13'-3" LG.	2
MK51304	#5 BAR x 13'-4" LG.	2
MK53904	#5 BAR x 39'-4" LG.	6

MESH: ASTM A185 (65 KSI YIELD)  
 REBAR: ASTM A615 (60 KSI YIELD)

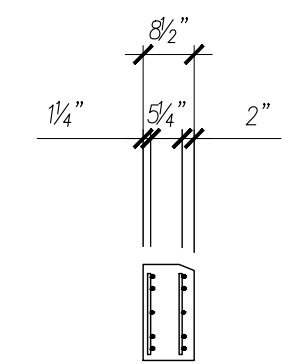
0	ISSUE FOR PRODUCTION	I.N.	XX/XX/XX
NO.	REVISION	BY	DATE

SCALE: 3/8" = 1'-0"

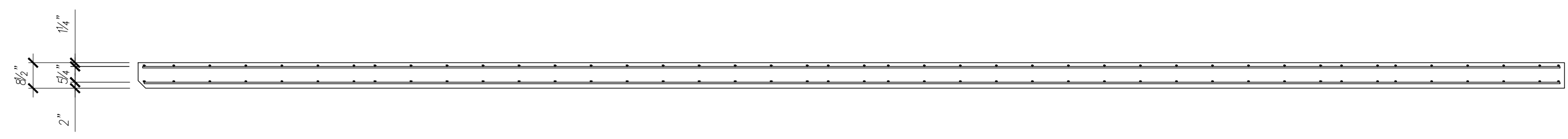
DRAWN BY	CHECKED BY	PROJECT NUMBER
I.N.	I.N.	<b>DEMO01</b>
REFERENCE		
2/E3.01		DRAWING NUMBER
<b>ONE</b>	<b>2 OF 2</b>	<b>W-007R</b>



### REINFORCING BACK ELEVATION



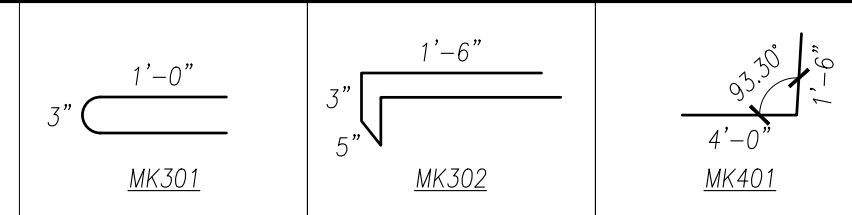
### REINFORCING SECTION R1



### REINFORCING SECTION R2







# PRESICION

PRECAST DETAILING

PROJECT:	<b>ARCHITECTURAL SOLID WALL PANEL</b>
LOCATION:	<b>UNDEFINED</b>
CONTRACTOR:	<b>UNDEFINED</b>

## REINFORCEMENT SCHEDULE

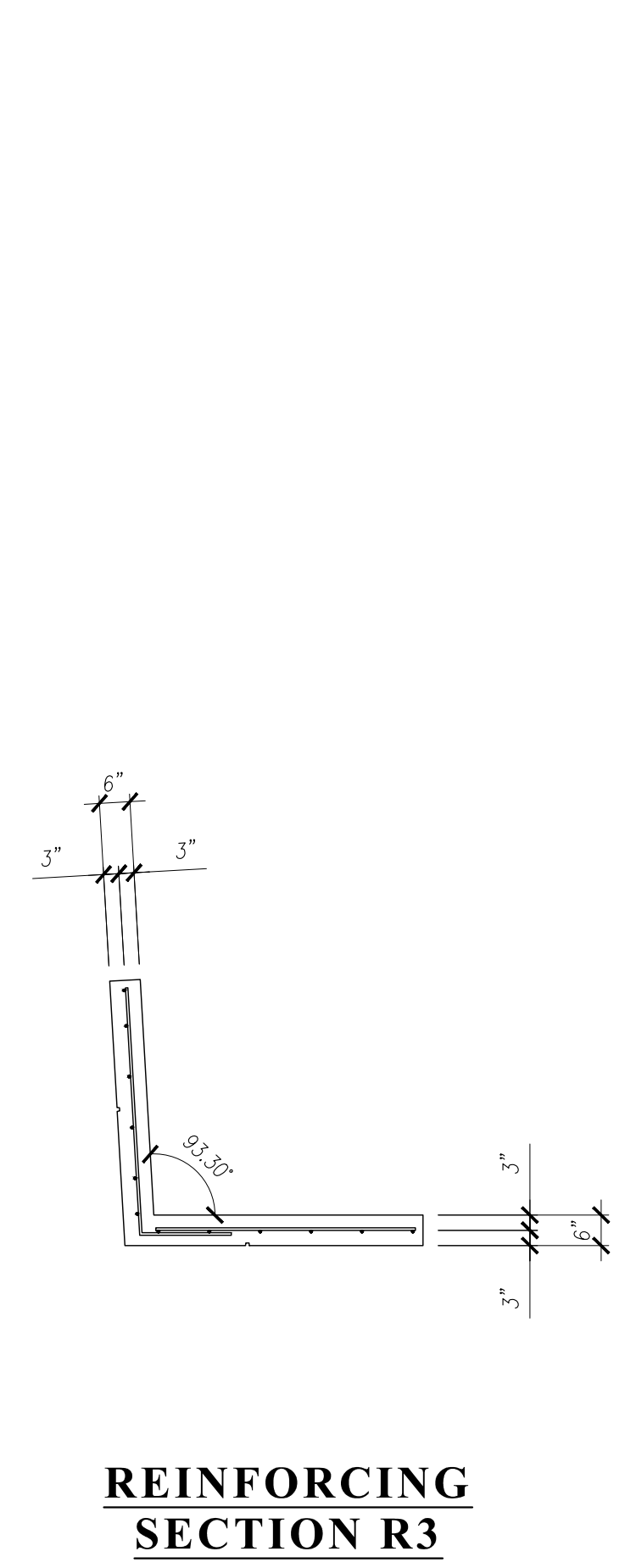
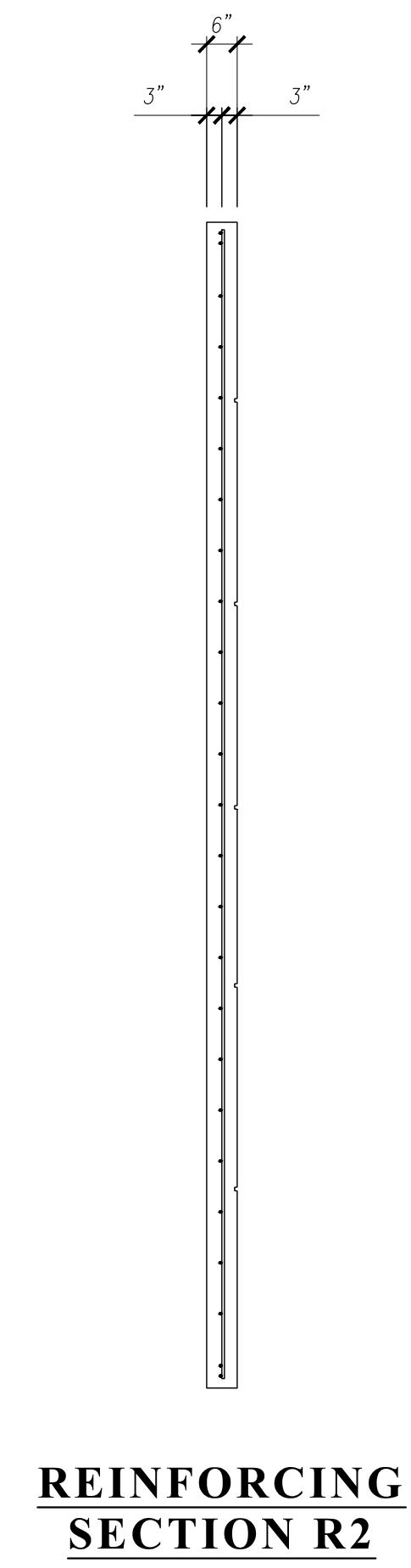
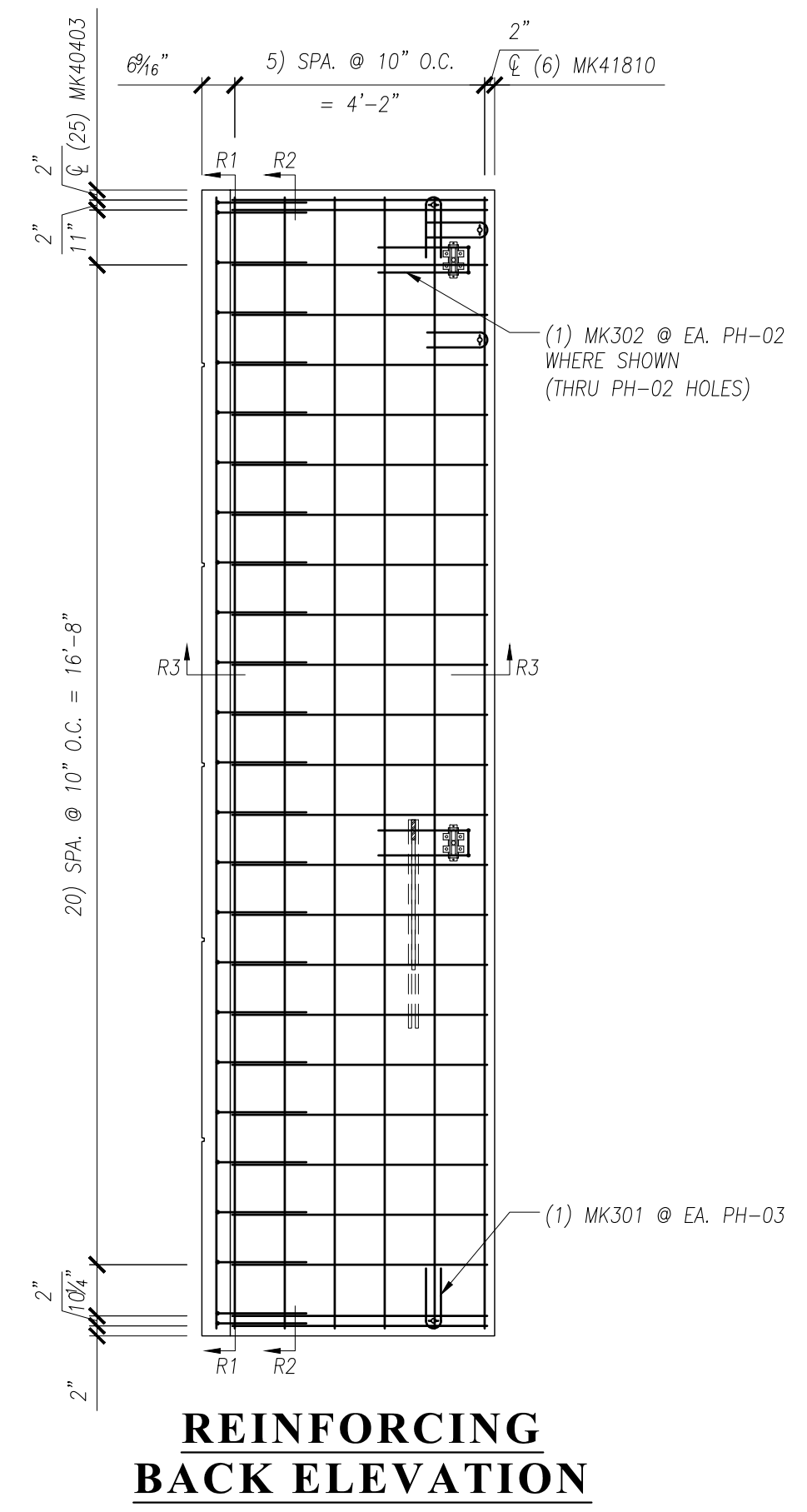
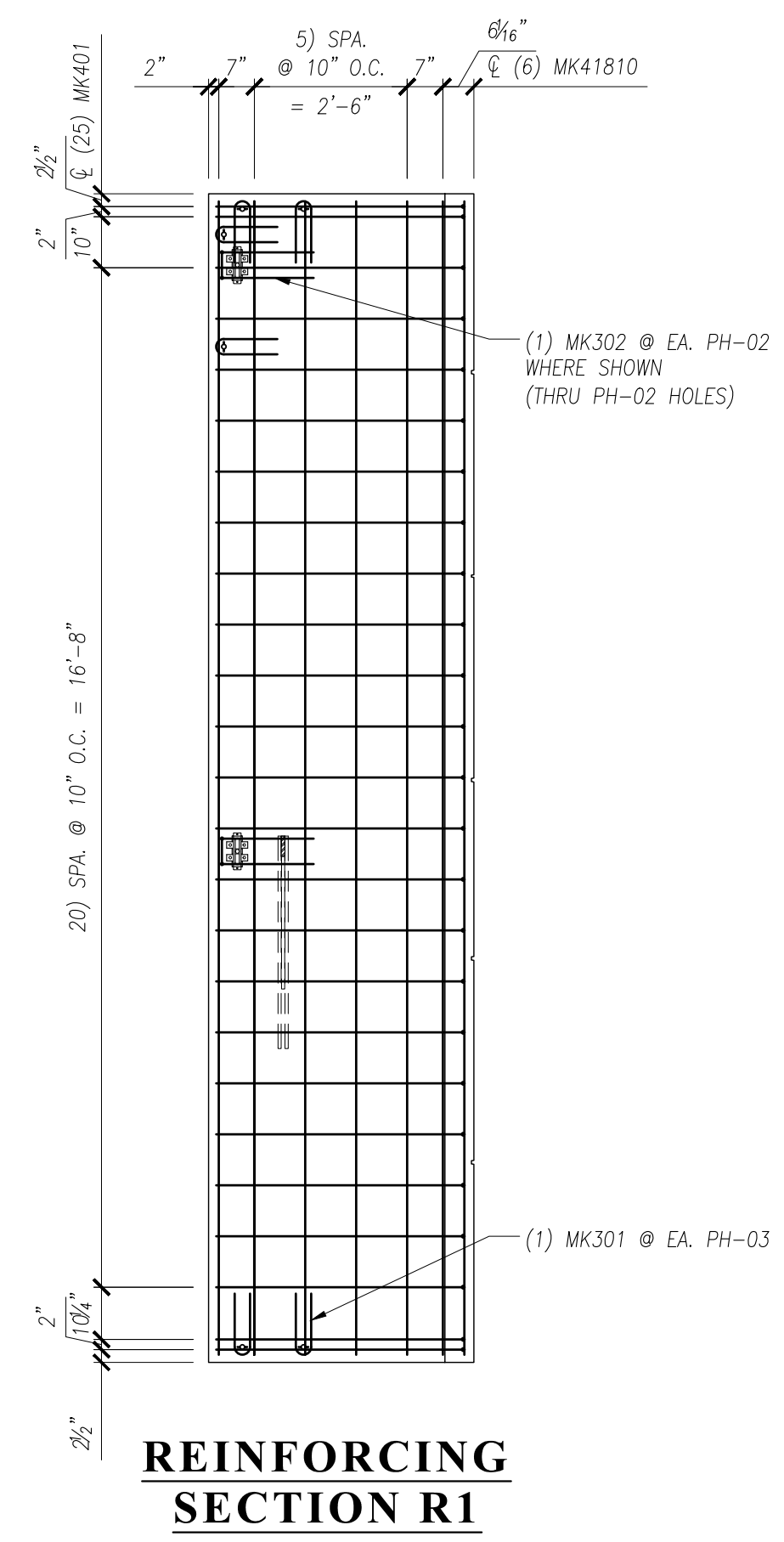
MARK	DESCRIPTION	QTY
MK301	#3 BENT BAR x 2'-2" LG.	10
MK302	#3 BENT BAR x 3'-11" LG.	4
MK401	#4 BENT BAR x 5'-5" LG.	25
MK40403	#4 BAR x 4'-3" LG.	25
MK41810	#4 BAR x 18'-10" LG.	12

MESH: ASTM A185 (65 KSI YIELD)  
REBAR: ASTM A615 (60 KSI YIELD)

0	ISSUE FOR PRODUCTION	I.N.	XX/XX/XX
NO.	REVISION	BY	DATE

SCALE: 3/8" = 1'-0"

DRAWN BY	CHECKED BY	PROJECT NUMBER
I.N.	I.N.	<b>DEMO01</b>
REFERENCE		
2/E3.01		DRAWING NUMBER
<b>ONE</b>	<b>3 OF 3</b>	<b>W-008R</b>







# PRESICION

## PRECAST DETAILING

PROJECT:	<b>ARCHITECTURAL SOLID WALL PANEL</b>
LOCATION:	<b>UNDEFINED</b>
CONTRACTOR:	<b>UNDEFINED</b>

### HARDWARE SCHEDULE

MARK	DESCRIPTION	QTY
PH-02	PSA 6035 NUT TYPE SLOTTED INSERT	4
PH-03	3/4"Ø MB FX5 FERRULE LOOP INSERT	10
PH-08	PL 3/4x4x0'-11" w/ 2) #5x3'-6" & 1) #5x2'-6"	2
	3/8" AIRCRAFT CABLE w/ #4x1'-0"	4

### FINISH

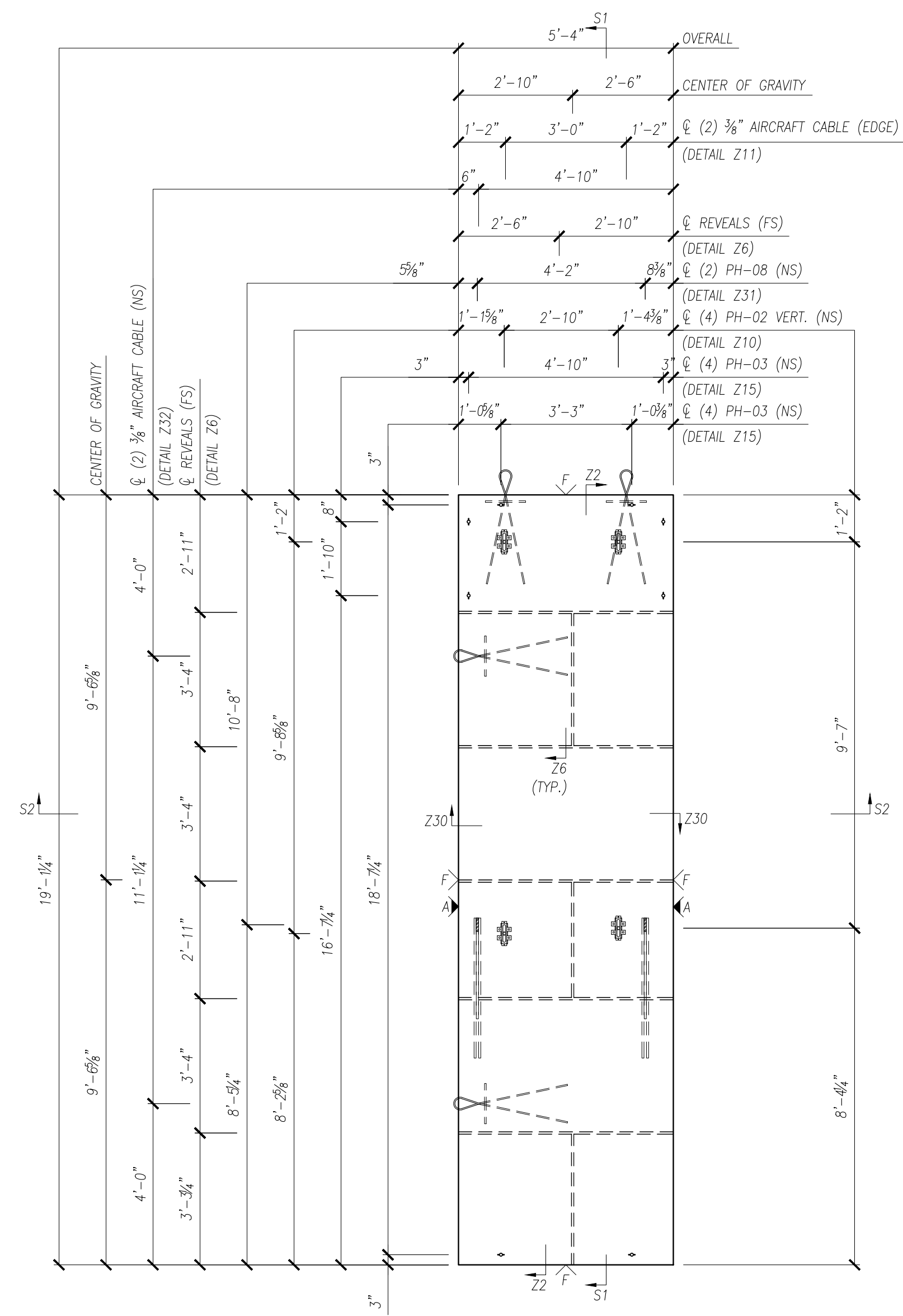
A	FORM SIDE - AS PER APPROVED SAMPLE
F	SMOOTH FORM
ST	STEEL-TROWEL
∨	DENOTES EXPOSED TO VIEW FINISHES
∇	DENOTES UNEXPOSED TO VIEW FINISHES

SAMPLE	XXXXXX	
AREA (SQ. FT.)	VOLUME (CU. FT.)	WEIGHT (LBS.)
115.54	50.86	7,630
CONCRETE TYPE	28 DAY STRENGTH	STRIPPING STRENGTH
(PSI)	5,000	2,500

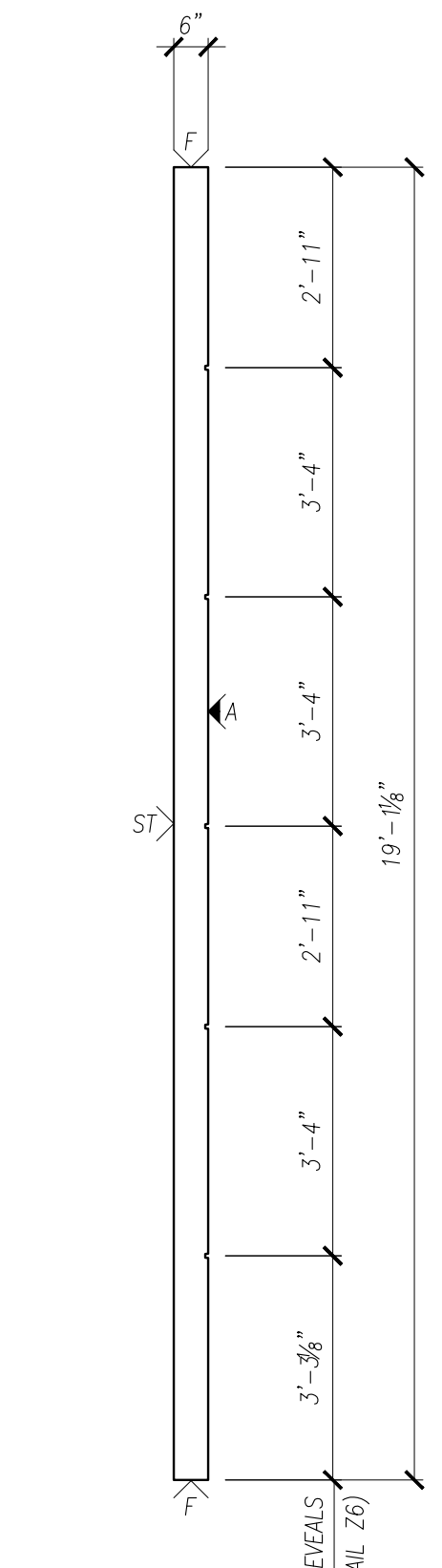
0	ISSUE FOR PRODUCTION	I.N.	XX/XX/XX
NO.	REVISION	BY	DATE

SCALE: 3/8" = 1'-0"

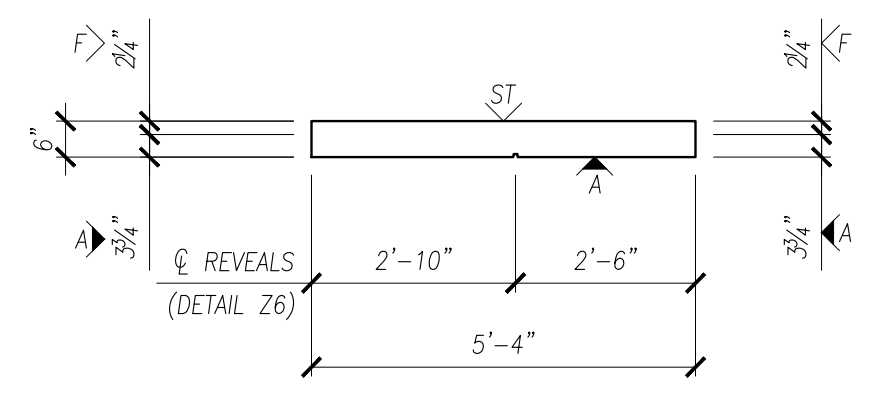
DRAWN BY	CHECKED BY	PROJECT NUMBER
I.N.	I.N.	<b>DEMO01</b>
REFERENCE		
2/E3.01		DRAWING NUMBER
QUANTITY	SHEET	
<b>ONE</b>	<b>1 OF 2</b>	<b>W-010</b>



**BACK ELEVATION**



**SECTION S1**



**SECTION S2**

NOTES:  
 - SEE W-010R FOR REINFORCEMENT.  
 - SEE DET-XXX FOR DETAILS.





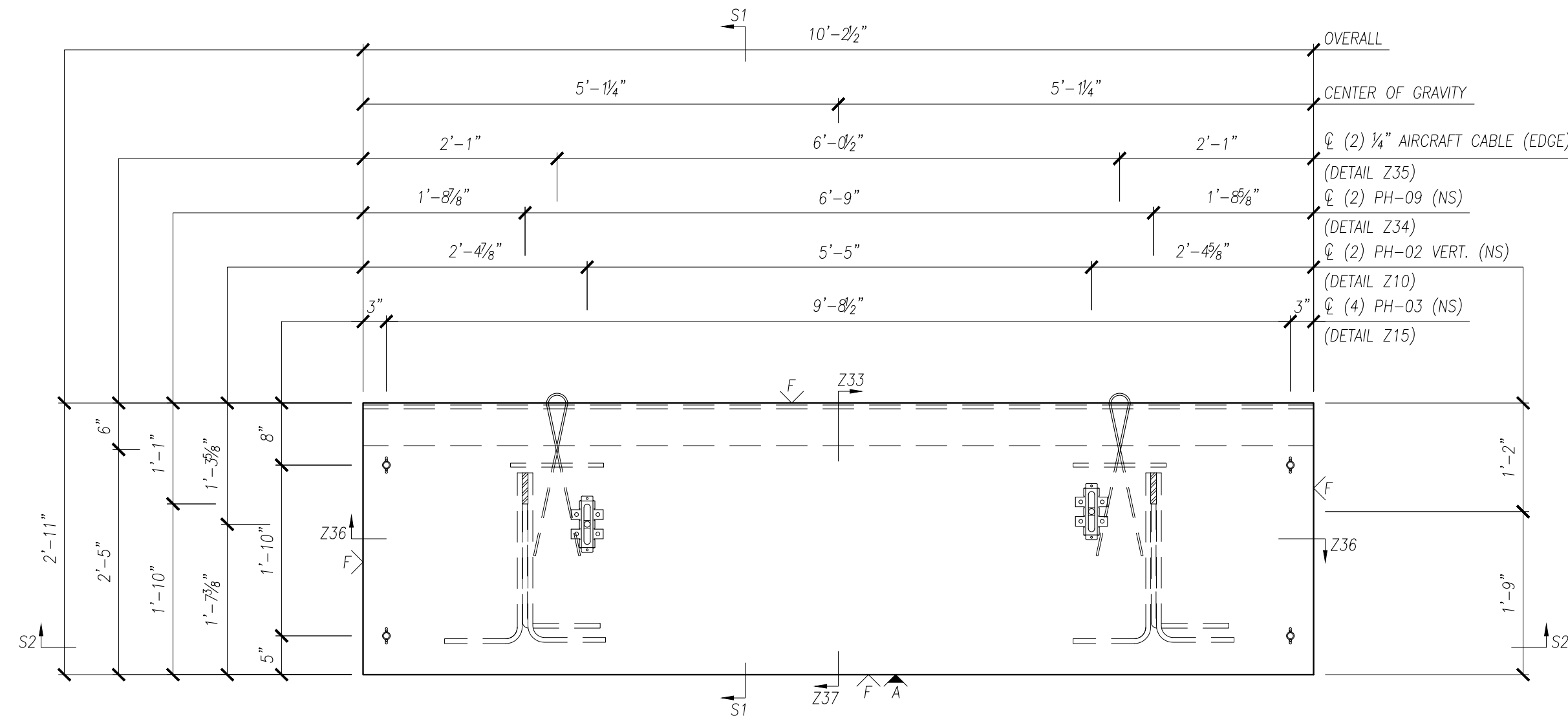




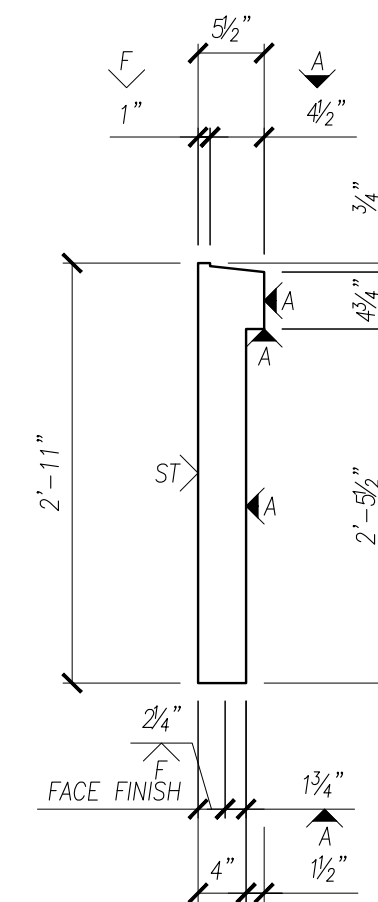


# PRESICION

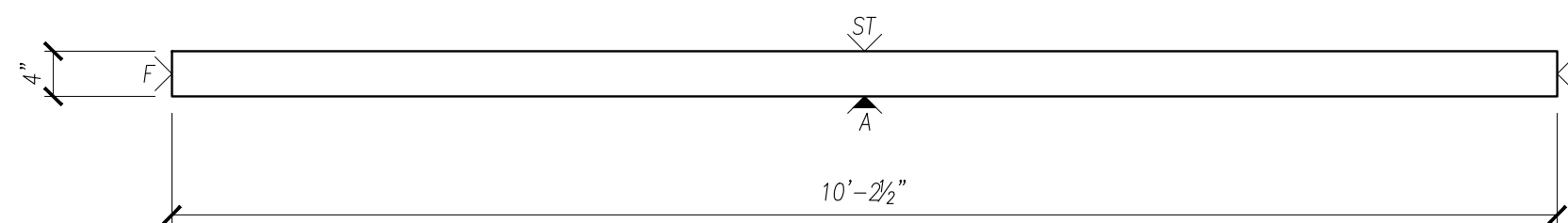
## PRECAST DETAILING



**BACK ELEVATION**



**SECTION S1**



**SECTION S2**

NOTES:  
 - SEE W-013R FOR REINFORCEMENT.  
 - SEE DET-XXX FOR DETAILS.

PROJECT:	<b>ARCHITECTURAL SOLID WALL PANEL</b>
LOCATION:	<b>UNDEFINED</b>
CONTRACTOR:	<b>UNDEFINED</b>

### HARDWARE SCHEDULE

MARK	DESCRIPTION	QTY
PH-02	PSA 6035 NUT TYPE SLOTTED INSERT	2
PH-03	3/4"Ø MB FX5 FERRULE LOOP INSERT	4
PH-09	PL 3/2x4x0'-9" w/ 2) #5x2'-8" & 1) #5x2'-6"	2
	1/4" AIRCRAFT CABLE w/ #4x1'-0"	2

### FINISH

A	FORM SIDE - AS PER APPROVED SAMPLE
F	SMOOTH FORM
ST	STEEL-TROWEL
∨	DENOTES EXPOSED TO VIEW FINISHES
∇	DENOTES UNEXPOSED TO VIEW FINISHES

SAMPLE	XXXXXX	
AREA (SQ. FT.)	VOLUME (CU. FT.)	WEIGHT (LBS.)
35.76	10.35	1,555
CONCRETE TYPE	28 DAY STRENGTH	STRIPPING STRENGTH
(PSI)	5,000	2,500

0	ISSUE FOR PRODUCTION	I.N.	XX/XX/XX
NO.	REVISION	BY	DATE

SCALE: 3/8" = 1'-0"

DRAWN BY	CHECKED BY	PROJECT NUMBER
I.N.	I.N.	<b>DEMO01</b>
REFERENCE		
2/E3.01		DRAWING NUMBER

QUANTITY	SHEET	DRAWING NUMBER
<b>ONE</b>	<b>1 OF 2</b>	<b>W-013</b>



# PRESICION

## PRECAST DETAILING

PROJECT:	<b>ARCHITECTURAL SOLID WALL PANEL</b>
LOCATION:	<b>UNDEFINED</b>
CONTRACTOR:	<b>UNDEFINED</b>

### HARDWARE SCHEDULE

MARK	DESCRIPTION	QTY
PH-03	3/4"Ø MB FX5 FERRULE LOOP INSERT	2
PH-08	PL 3/8x4x0'-11" w/ 2) #5x3'-6" & 1) #5x2'-6"	2
PH-10	PL 3/8x4x0'-6" w/ 2) 1/2"Øx4" HCA	4
PH-13	3"Øx6" DP. PLASTIC SLEEVE	2
	3/8" AIRCRAFT CABLE w/ #4x1'-0"	6

### FINISH

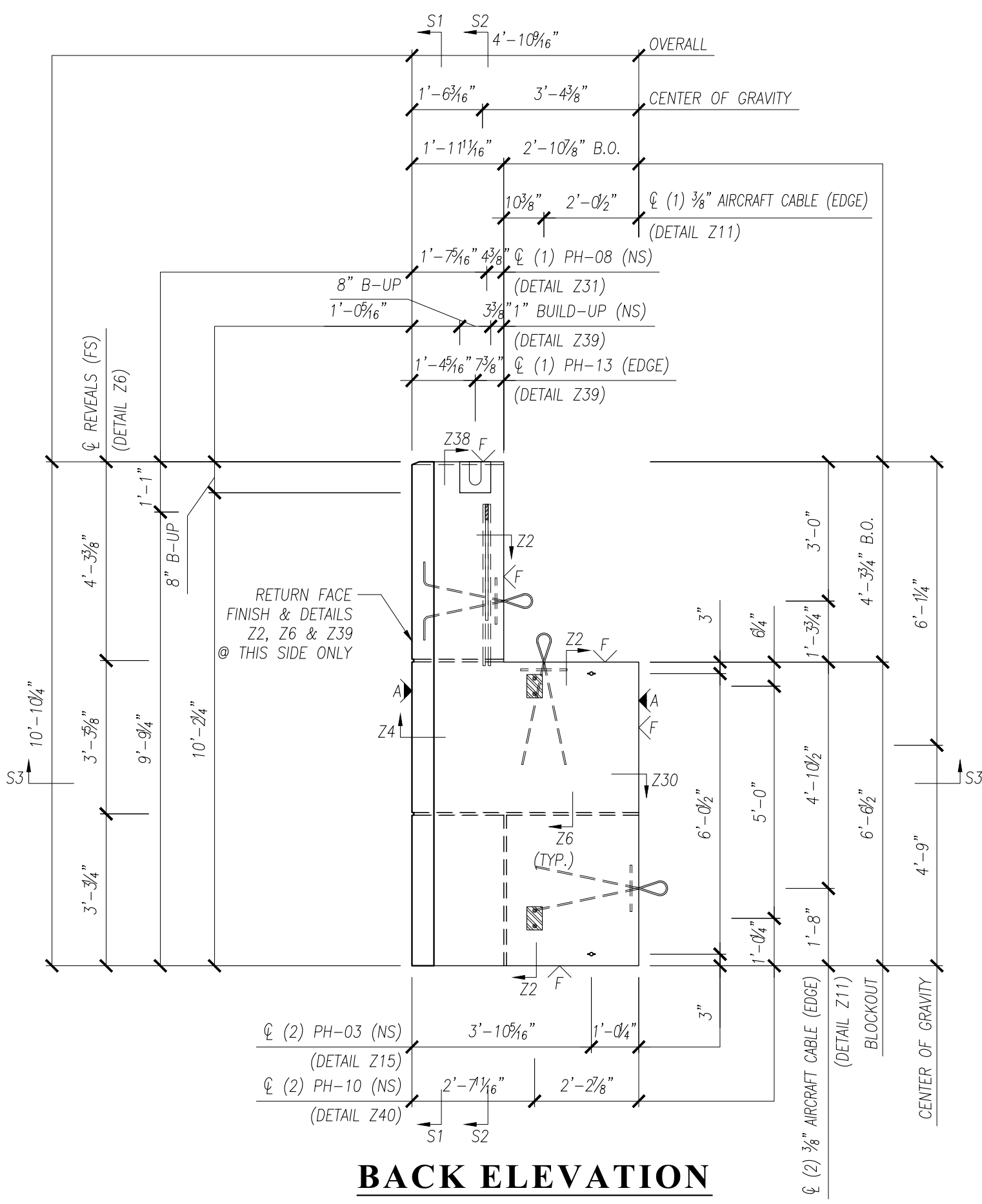
A	FORM SIDE - AS PER APPROVED SAMPLE
F	SMOOTH FORM
ST	STEEL-TROWEL
∨	DENOTES EXPOSED TO VIEW FINISHES
∇	DENOTES UNEXPOSED TO VIEW FINISHES

SAMPLE	XXXXXX	
AREA (SQ. FT.)	VOLUME (CU. FT.)	WEIGHT (LBS.)
60.78	29.64	4,450
CONCRETE TYPE	28 DAY STRENGTH	STRIPPING STRENGTH
(PSI)	5,000	2,500

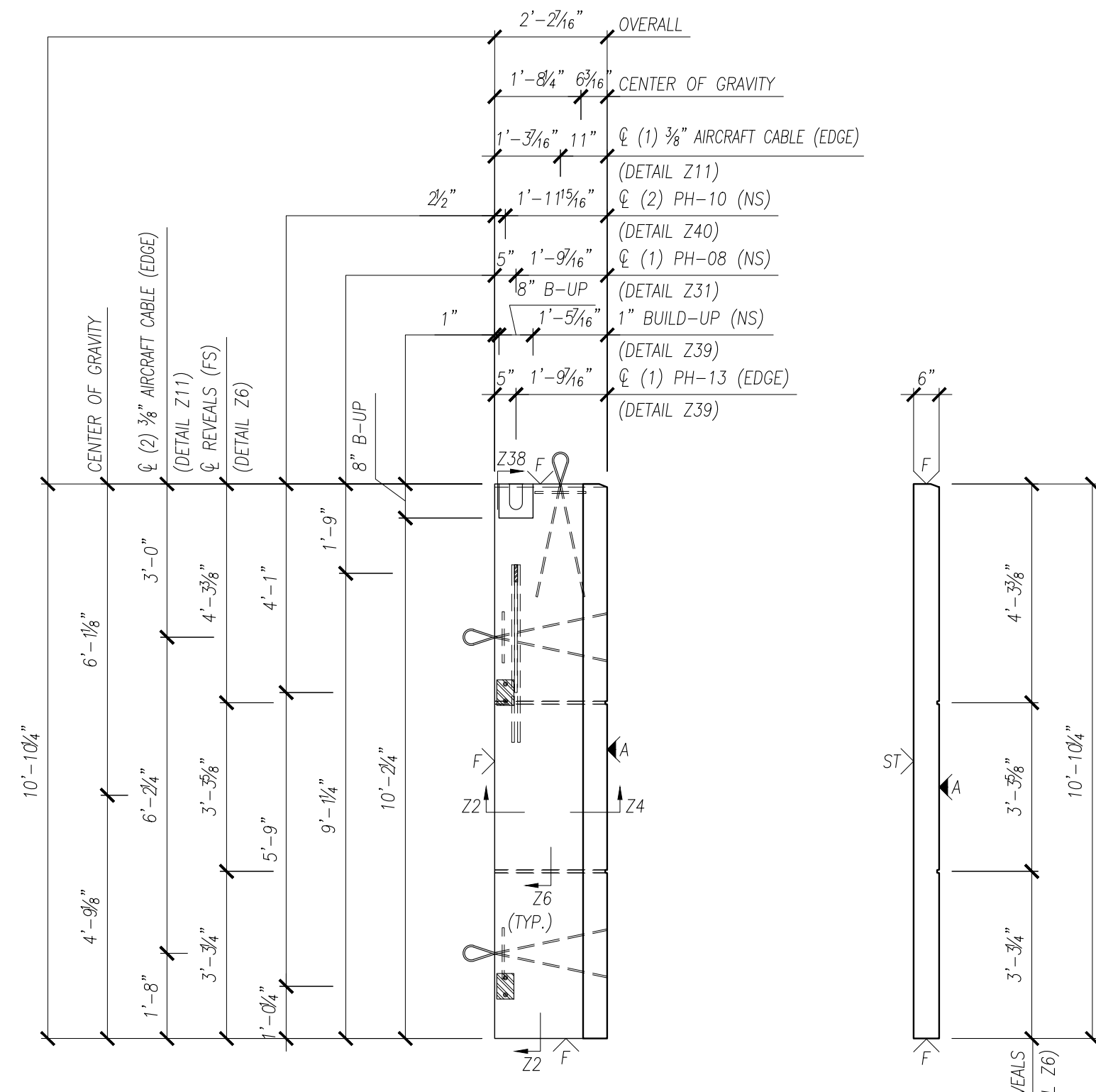
0	ISSUE FOR PRODUCTION	I.N.	XX/XX/XX
NO.	REVISION	BY	DATE

SCALE: 3/8" = 1'-0"

DRAWN BY	CHECKED BY	PROJECT NUMBER
I.N.	I.N.	<b>DEMO01</b>
REFERENCE		
2/E3.01		DRAWING NUMBER
QUANTITY	SHEET	
<b>ONE</b>	<b>1 OF 2</b>	<b>W-014</b>

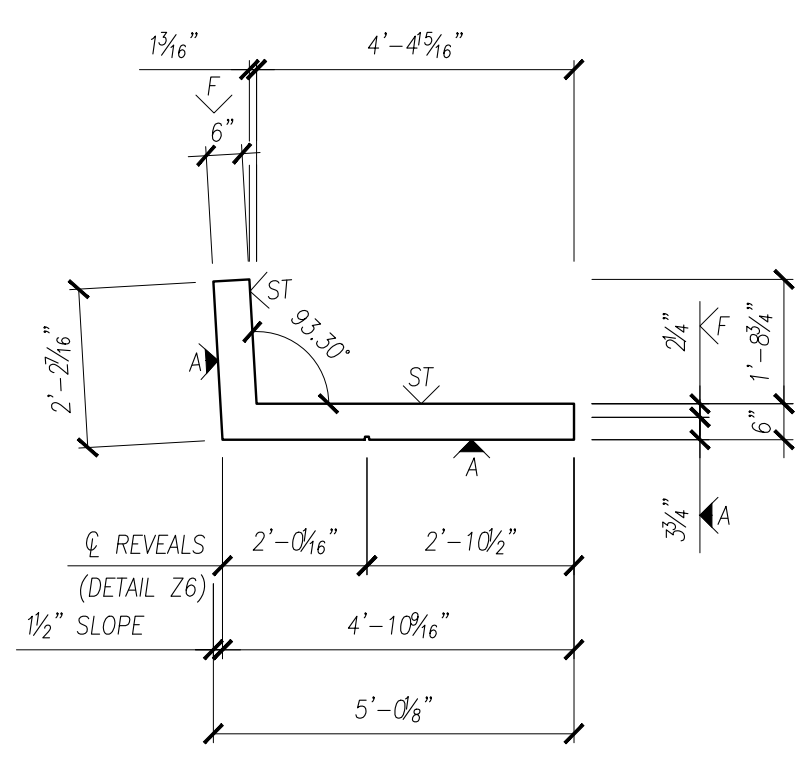


**BACK ELEVATION**



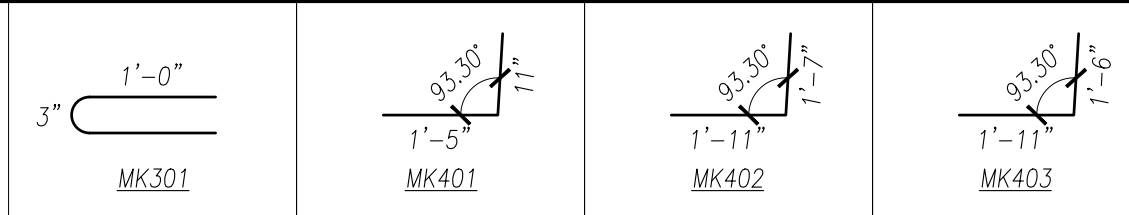
**SECTION S1**

**SECTION S2**



**SECTION S3**

NOTES:  
 - SEE W-014R FOR REINFORCEMENT.  
 - SEE DET-XXX FOR DETAILS.



# PRESICION

## PRECAST DETAILING

PROJECT:	<b>ARCHITECTURAL SOLID WALL PANEL</b>
LOCATION:	<b>UNDEFINED</b>
CONTRACTOR:	<b>UNDEFINED</b>

### REINFORCEMENT SCHEDULE

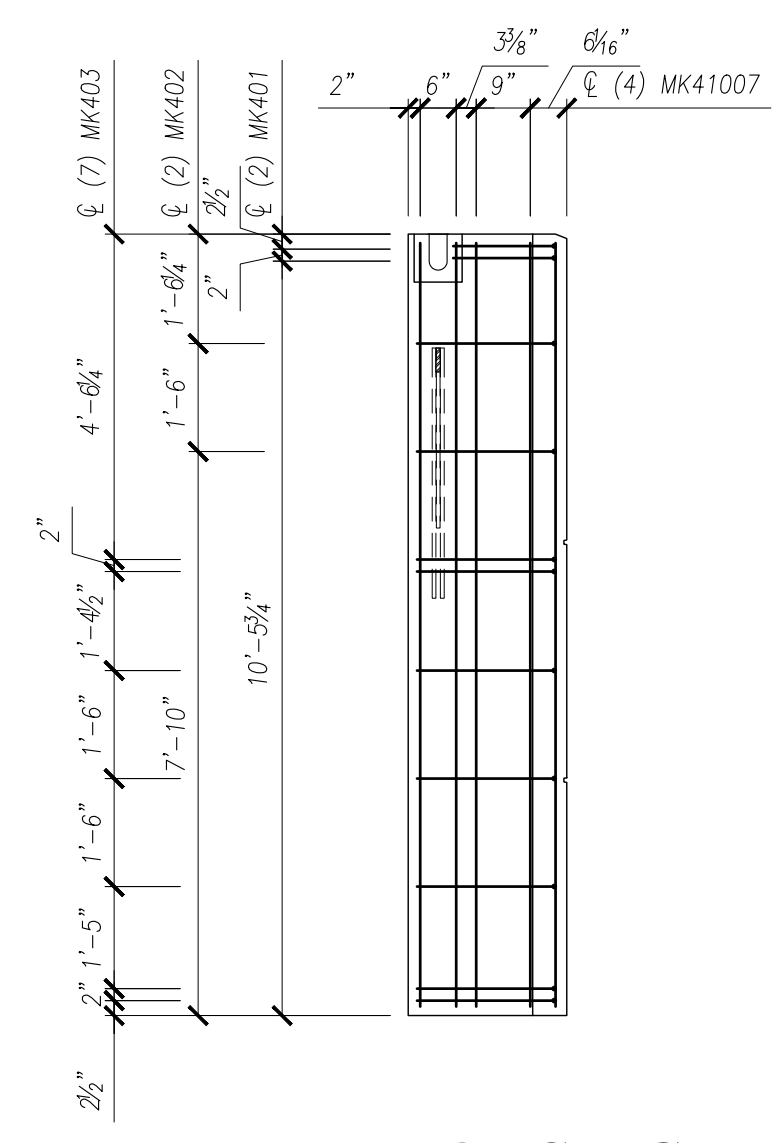
MARK	DESCRIPTION	QTY
MK301	#3 BENT BAR x 2'-2" LG.	2
MK401	#4 BENT BAR x 2'-3" LG.	2
MK402	#4 BENT BAR x 3'-5" LG.	2
MK403	#4 BENT BAR x 3'-4" LG.	7
MK40403	#4 BAR x 4'-3" LG.	7
MK40603	#4 BAR x 6'-3" LG.	4
MK40703	#4 BAR x 7'-3" LG.	1
MK41001	#4 BAR x 10'-1" LG.	1
MK41007	#4 BAR x 10'-7" LG.	5

MESH: ASTM A185 (65 KSI YIELD)  
 REBAR: ASTM A615 (60 KSI YIELD)

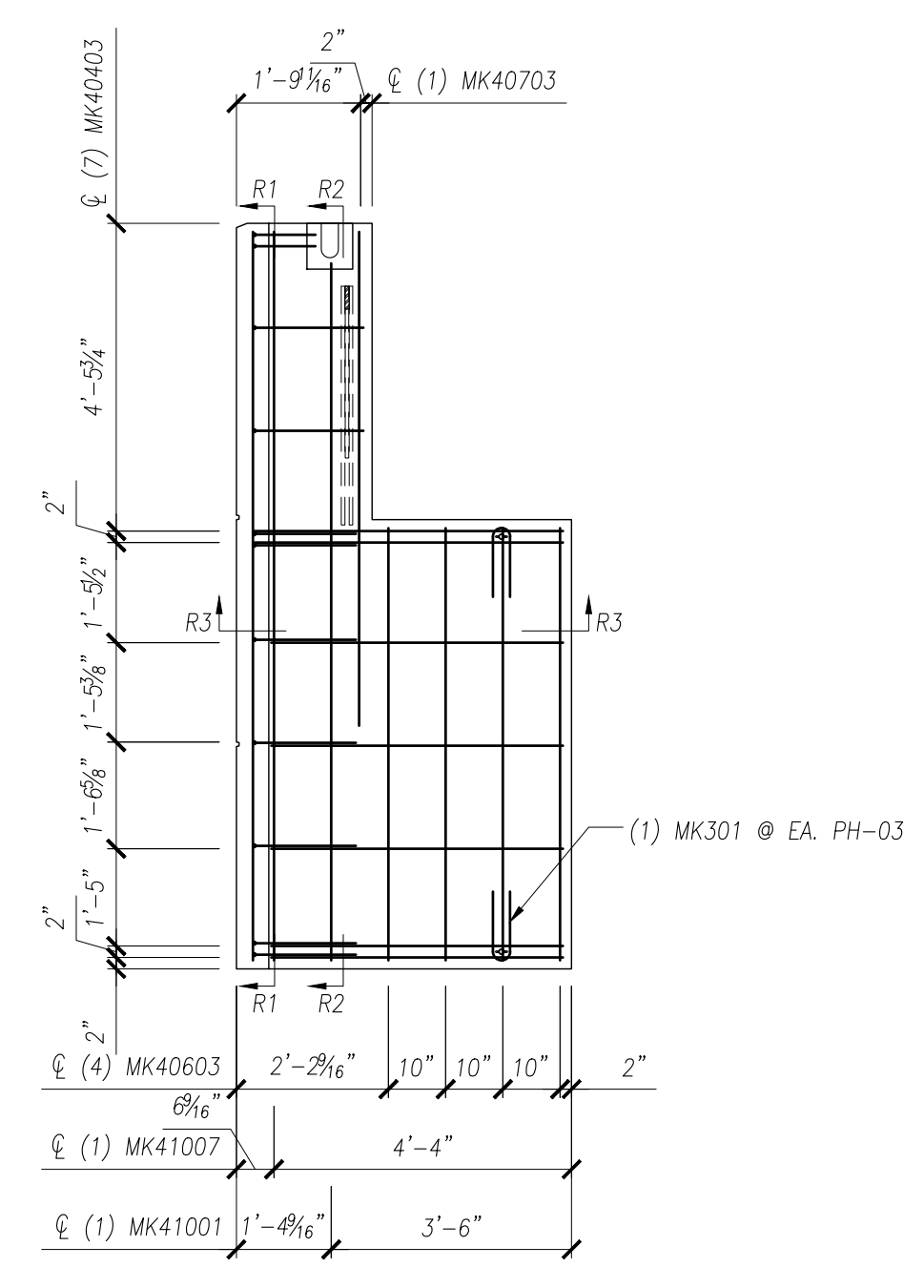
0	ISSUE FOR PRODUCTION	I.N.	XX/XX/XX
NO.	REVISION	BY	DATE

SCALE: 3/8" = 1'-0"

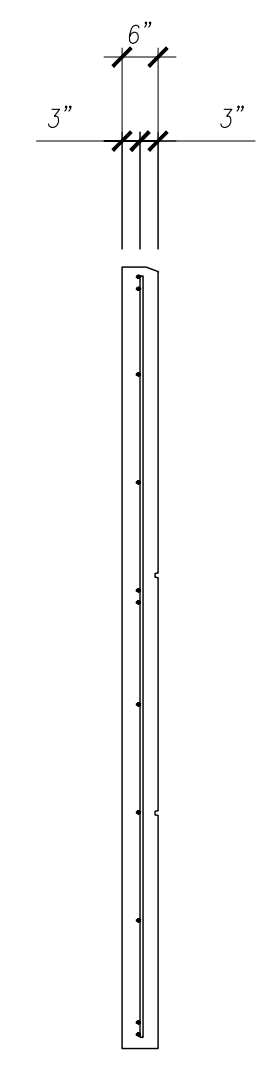
DRAWN BY	CHECKED BY	PROJECT NUMBER
I.N.	I.N.	<b>DEMO01</b>
REFERENCE		
2/E3.01		
QUANTITY	SHEET	DRAWING NUMBER
<b>ONE</b>	<b>2 OF 2</b>	<b>W-014R</b>



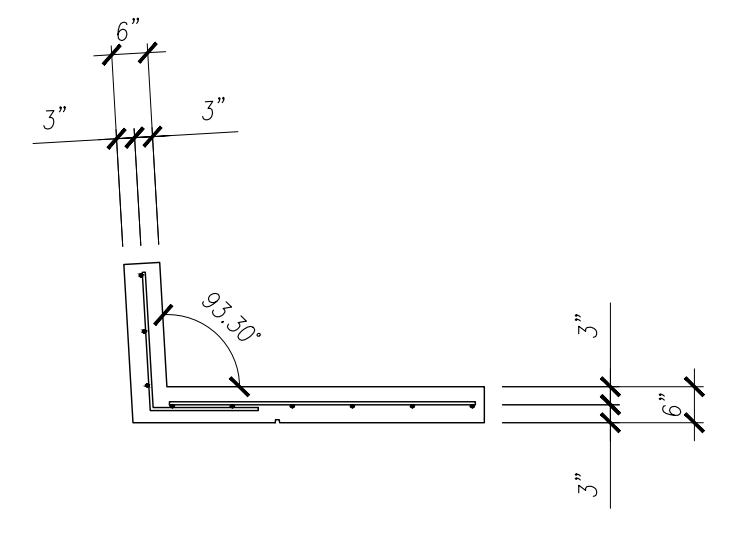
**REINFORCING SECTION R1**



**REINFORCING BACK ELEVATION**



**REINFORCING SECTION R2**



**REINFORCING SECTION R3**

# PRESICION

## PRECAST DETAILING

PROJECT:	<b>ARCHITECTURAL SOLID WALL PANEL</b>
LOCATION:	<b>UNDEFINED</b>
CONTRACTOR:	<b>UNDEFINED</b>

### HARDWARE SCHEDULE

MARK	DESCRIPTION	QTY
PH-02	PSA 6035 NUT TYPE SLOTTED INSERT	3
PH-03	3/4"Ø MB FX5 FERRULE LOOP INSERT	8
PH-11	PL 3/4x4x0'-11" w/ 2) #5x3'-4" & 1) #5x2'-6"	2
PH-13	3"Øx6" DP. PLASTIC SLEEVE	3
	L 8x4x1/2x10'-9" w/ 4) 1/16"Ø HOLES	1
	3/4"Øx2' LG. A325 BOLT W/ STD. WASHER	4
	3/8" AIRCRAFT CABLE w/ #4x1'-0"	4

### FINISH

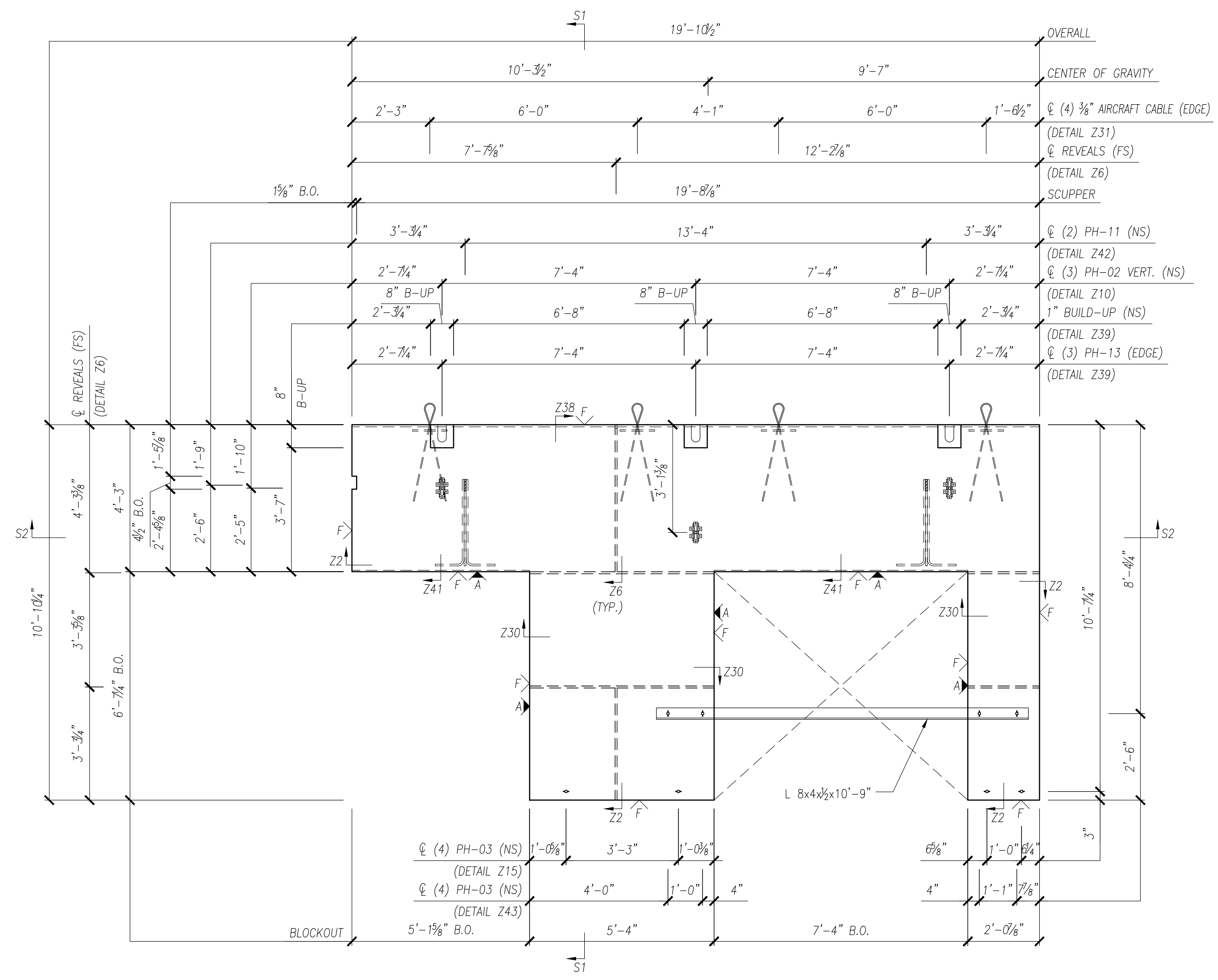
A	FORM SIDE - AS PER APPROVED SAMPLE
F	SMOOTH FORM
ST	STEEL-TROWEL
∨	DENOTES EXPOSED TO VIEW FINISHES
∇	DENOTES UNEXPOSED TO VIEW FINISHES

SAMPLE	XXXXXX	
AREA (SQ. FT.)	VOLUME (CU. FT.)	WEIGHT (LBS.)
147.06	66.61	9,995
CONCRETE TYPE	28 DAY STRENGTH (PSI)	STRIPPING STRENGTH
	5,000	2,500

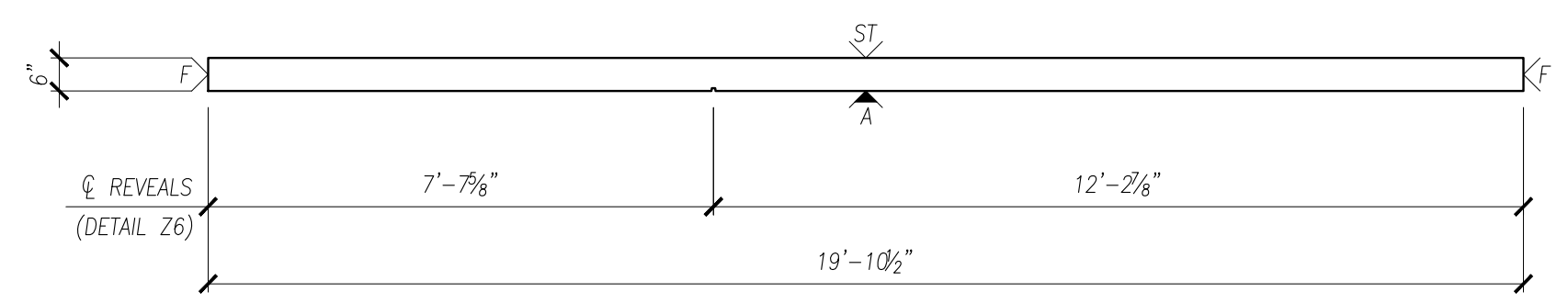
0	ISSUE FOR PRODUCTION	I.N.	XX/XX/XX
NO.	REVISION	BY	DATE

SCALE: 3/8" = 1'-0"

DRAWN BY	CHECKED BY	PROJECT NUMBER
I.N.	I.N.	<b>DEMO01</b>
REFERENCE		
2/E3.01		DRAWING NUMBER
QUANTITY	SHEET	
<b>ONE</b>	<b>1 OF 2</b>	<b>W-015</b>



**BACK ELEVATION**



**SECTION S2**

**SECTION S2**

NOTES:  
 - SEE W-015R FOR REINFORCEMENT.  
 - SEE DET-XXX FOR DETAILS.

1'-0"  
3" MK301

# PRESICION

PRECAST DETAILING

PROJECT:	<b>ARCHITECTURAL SOLID WALL PANEL</b>
LOCATION:	<b>UNDEFINED</b>
CONTRACTOR:	<b>UNDEFINED</b>

## REINFORCEMENT SCHEDULE

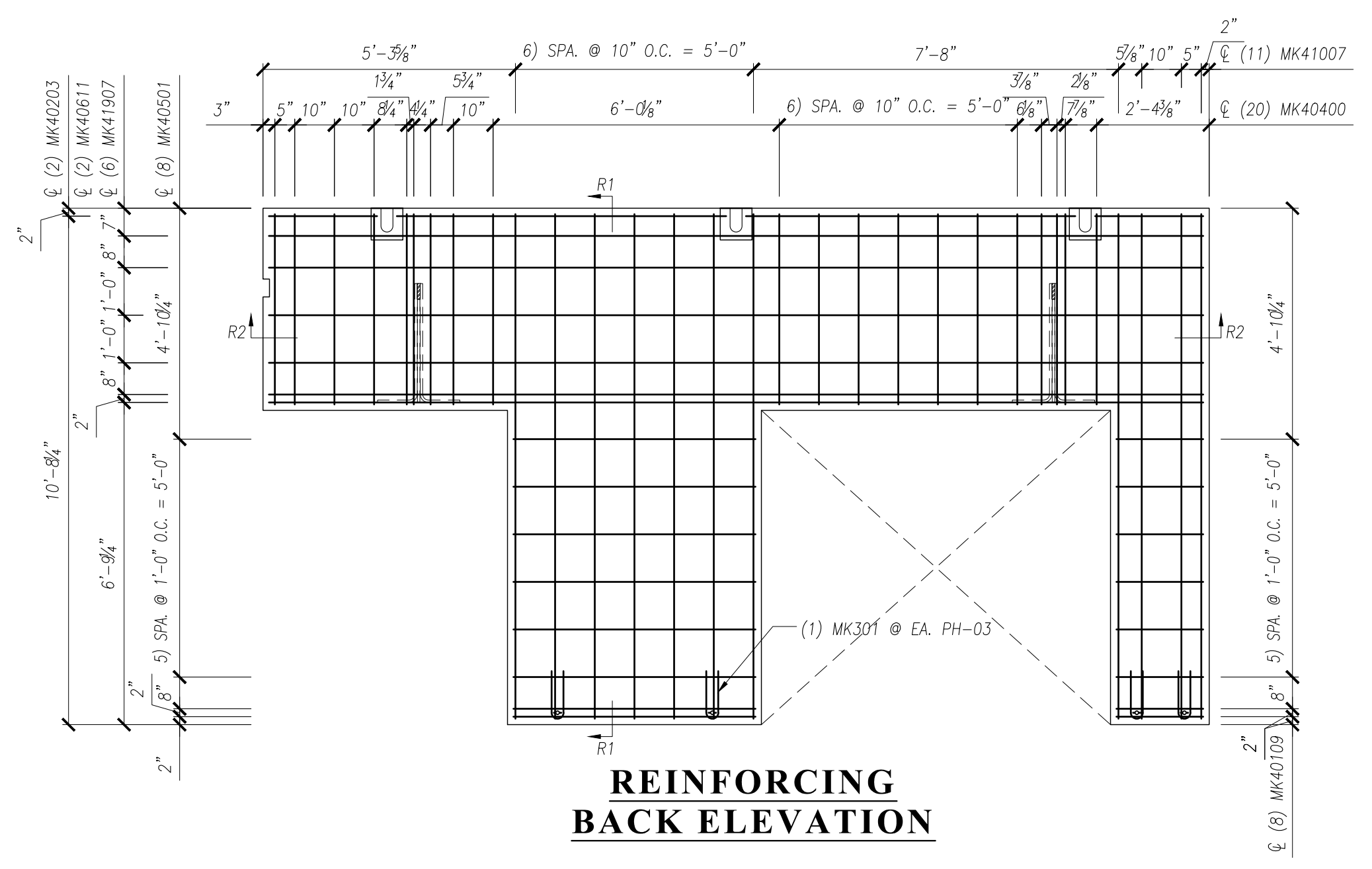
MARK	DESCRIPTION	QTY
MK301	#3 BENT BAR x 2'-2" LG.	4
MK40109	#4 BAR x 1'-9" LG.	8
MK40203	#4 BAR x 2'-3" LG.	2
MK40400	#4 BAR x 4'-0" LG.	20
MK40501	#4 BAR x 5'-1" LG.	8
MK40611	#4 BAR x 6'-11" LG.	2
MK41007	#4 BAR x 10'-7" LG.	11
MK41907	#4 BAR x 19'-7" LG.	6

MESH: ASTM A185 (65 KSI YIELD)  
REBAR: ASTM A615 (60 KSI YIELD)

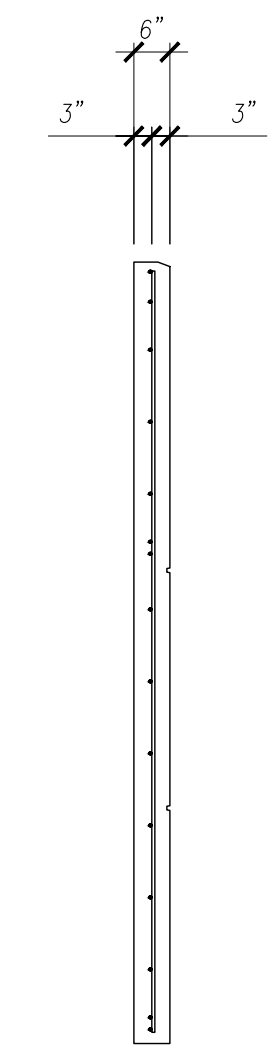
0	ISSUE FOR PRODUCTION	I.N.	XX/XX/XX
NO.	REVISION	BY	DATE

SCALE: 3/8" = 1'-0"

DRAWN BY	CHECKED BY	PROJECT NUMBER
I.N.	I.N.	<b>DEMO01</b>
REFERENCE		
2/E3.01		DRAWING NUMBER
QUANTITY	SHEET	
<b>ONE</b>	<b>2 OF 2</b>	<b>W-015R</b>



**REINFORCING BACK ELEVATION**



**REINFORCING SECTION R1**



**REINFORCING SECTION R2**

# PRESICION

## PRECAST DETAILING

PROJECT:	<b>ARCHITECTURAL SOLID WALL PANEL</b>
LOCATION:	<b>UNDEFINED</b>
CONTRACTOR:	<b>UNDEFINED</b>

### HARDWARE SCHEDULE

MARK	DESCRIPTION	QTY
PH-02	PSA 6035 NUT TYPE SLOTTED INSERT	3
PH-03	3/4"Ø MB FX5 FERRULE LOOP INSERT	8
PH-11	PL 3/2x4x0'-11" w/ 2) #5x3'-4" & 1) #5x2'-6"	2
PH-13	3"Øx6" DP. PLASTIC SLEEVE	3
	L 8x4x1/2x10'-9" w/ 4) 1/16"Ø HOLES	1
	3/4"Øx2' LG. A325 BOLT W/ STD. WASHER	4
	3/8" AIRCRAFT CABLE w/ #4x1'-0"	4

### FINISH

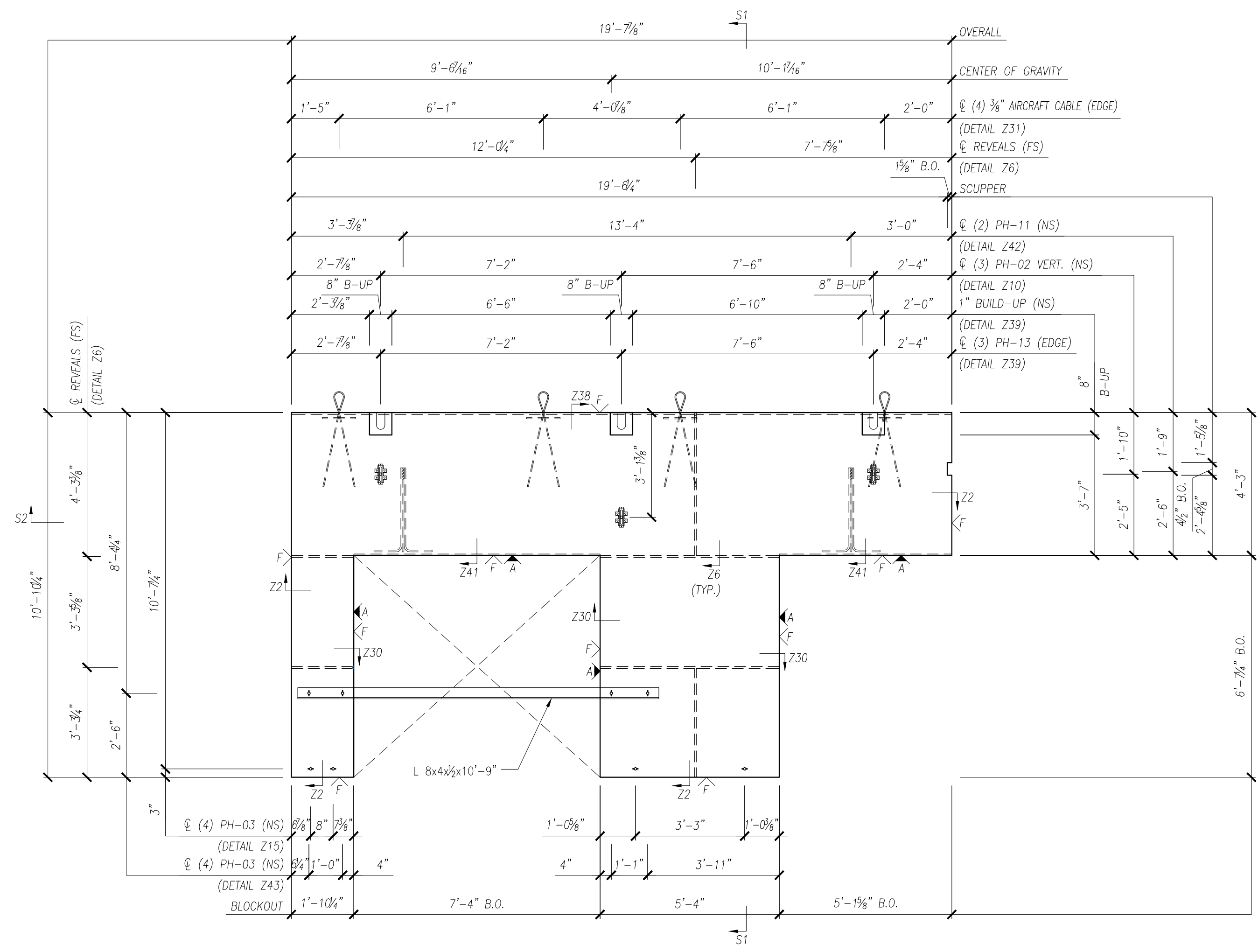
A	FORM SIDE - AS PER APPROVED SAMPLE
F	SMOOTH FORM
ST	STEEL-TROWEL
∨	DENOTES EXPOSED TO VIEW FINISHES
∇	DENOTES UNEXPOSED TO VIEW FINISHES

SAMPLE	XXXXXX	
AREA (SQ. FT.)	VOLUME (CU. FT.)	WEIGHT (LBS.)
145.37	65.42	9,815
CONCRETE TYPE	28 DAY STRENGTH	STRIPPING STRENGTH
(PSI)	5,000	2,500

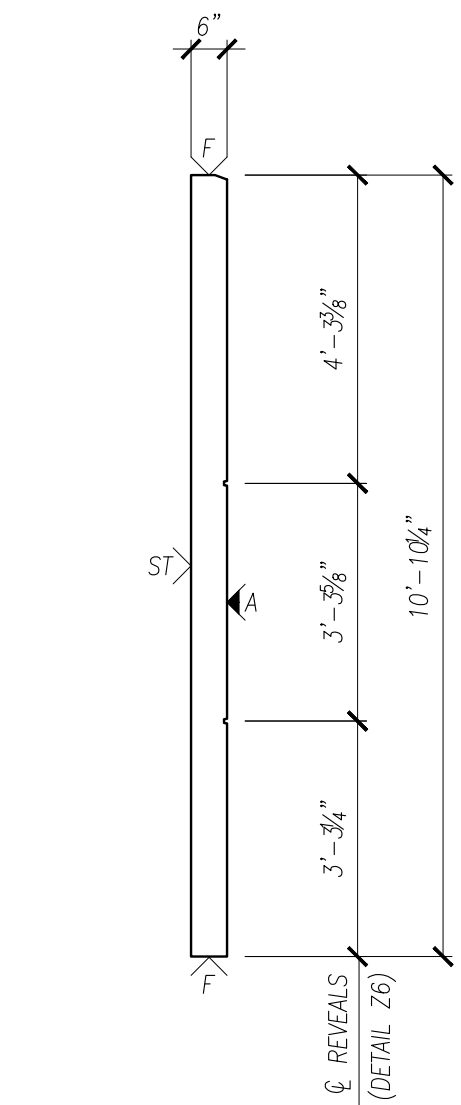
0	ISSUE FOR PRODUCTION	I.N.	XX/XX/XX
NO.	REVISION	BY	DATE

SCALE: 3/8" = 1'-0"

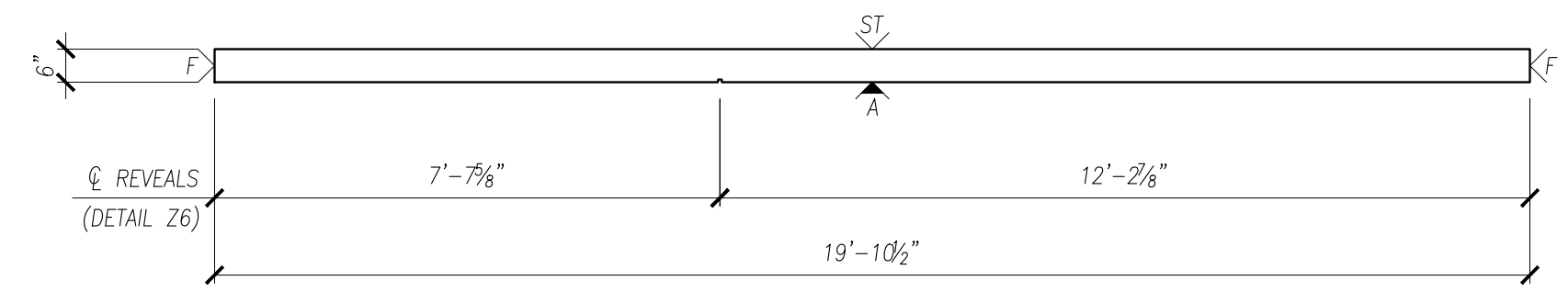
DRAWN BY	CHECKED BY	PROJECT NUMBER
I.N.	I.N.	<b>DEMO01</b>
REFERENCE		
2/E3.01		DRAWING NUMBER
QUANTITY	SHEET	
<b>ONE</b>	<b>1 OF 2</b>	<b>W-016</b>



**BACK ELEVATION**



**SECTION S2**

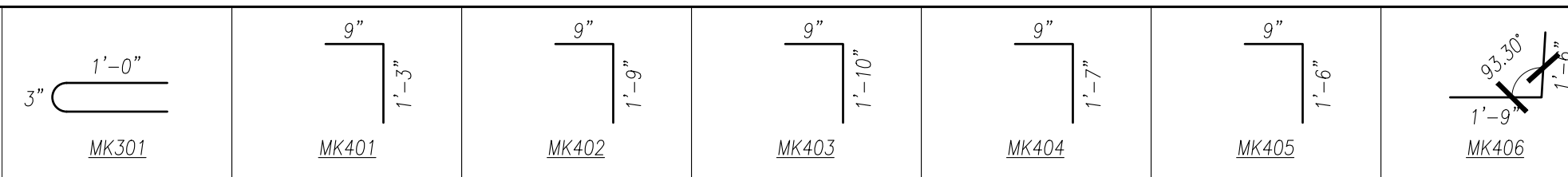


**SECTION S2**

NOTES:  
 - SEE W-016R FOR REINFORCEMENT.  
 - SEE DET-XXX FOR DETAILS.







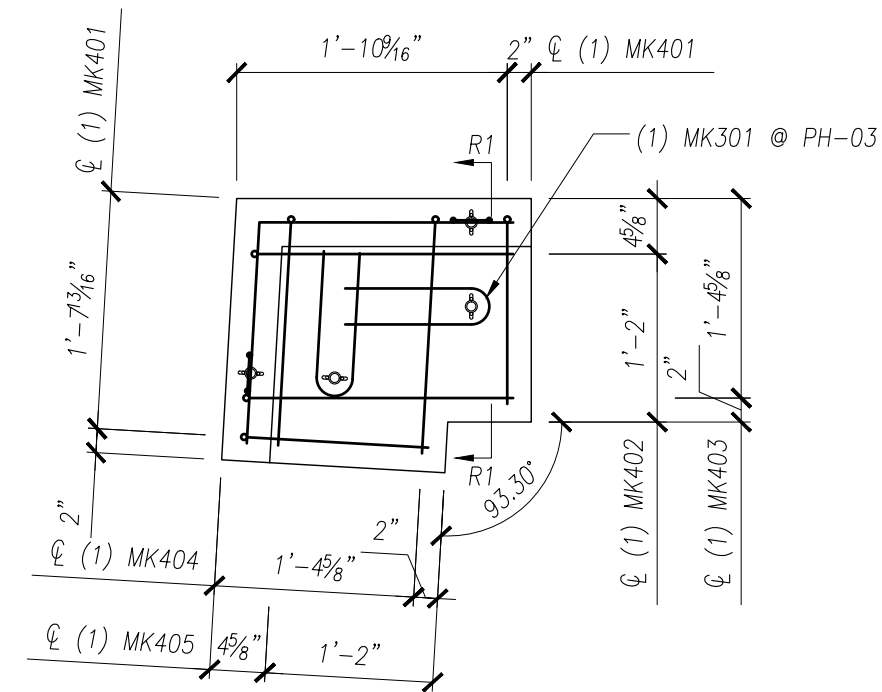
# PRESICION

## PRECAST DETAILING

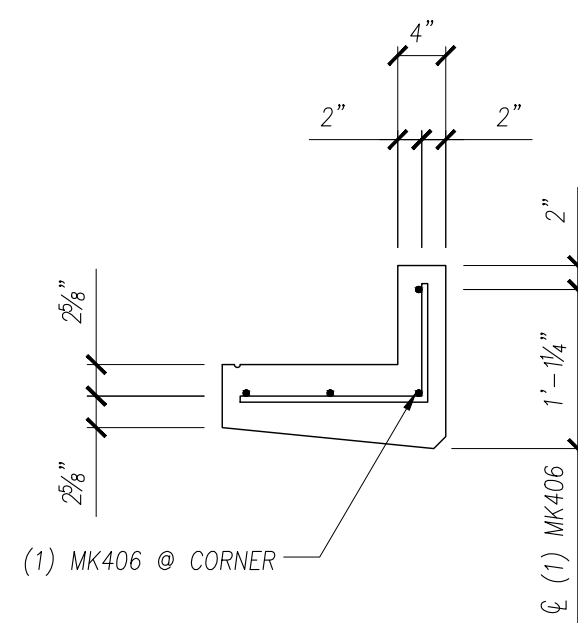
PROJECT:	<b>ARCHITECTURAL SOLID WALL PANEL</b>
LOCATION:	<b>UNDEFINED</b>
CONTRACTOR:	<b>UNDEFINED</b>

### REINFORCEMENT SCHEDULE

MARK	DESCRIPTION	QTY
MK301	#3 BENT BAR x 2'-2" LG.	4
MK401	#4 BENT BAR x 1'-11" LG.	2
MK402	#4 BENT BAR x 2'-5" LG.	1
MK403	#4 BENT BAR x 2'-6" LG.	1
MK404	#4 BENT BAR x 2'-3" LG.	1
MK405	#4 BENT BAR x 2'-2" LG.	1
MK406	#4 BENT BAR x 3'-2" LG.	2



### REINFORCING BACK ELEVATION



### REINFORCING SECTION R1

MESH: ASTM A185 (65 KSI YIELD)  
REBAR: ASTM A615 (60 KSI YIELD)

0	ISSUE FOR PRODUCTION	I.N.	XX/XX/XX
NO.	REVISION	BY	DATE

SCALE: 3/8" = 1'-0"

DRAWN BY	CHECKED BY	PROJECT NUMBER
I.N.	I.N.	<b>DEMO01</b>
REFERENCE		
2/E3.01		DRAWING NUMBER
<b>ONE</b>	<b>2 OF 2</b>	<b>W-017R</b>







