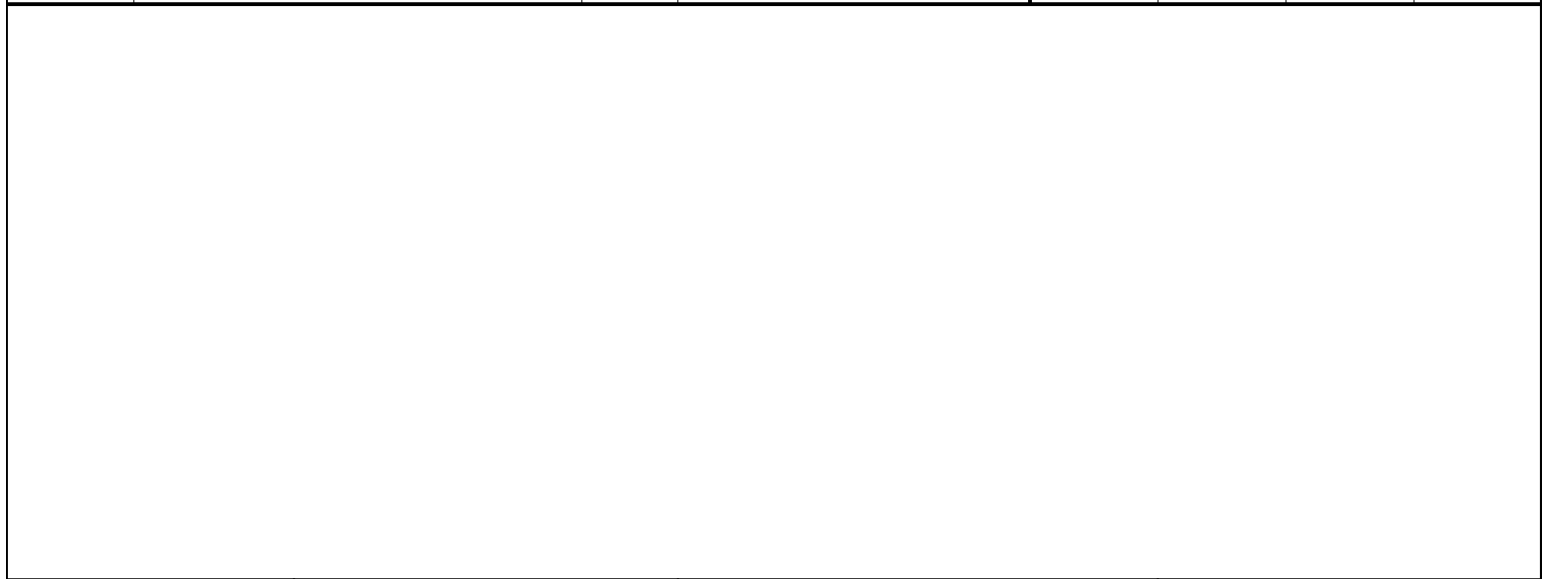


SHOP HARDWARE

ISSUE DATE & QUANTITY

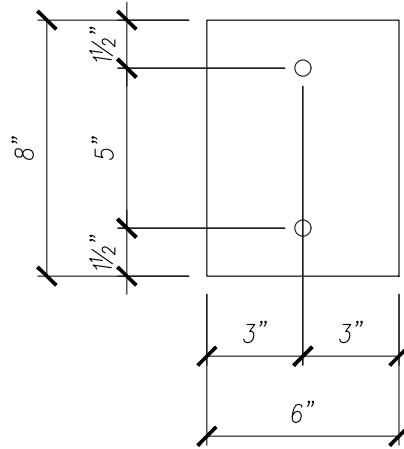
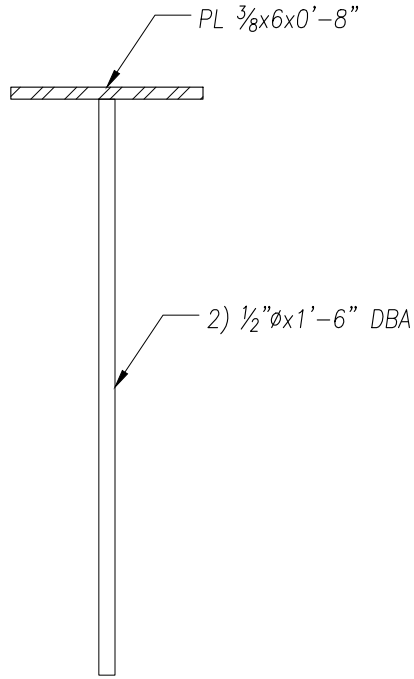
MARK NO.	DESCRIPTION	FINISH	REMARKS	REV. 0 XX/XX/XX	REV. 1 XX/XX/XX	REV. 2 XX/XX/XX	TOTAL XX/XX/XX
SH-01	PL 3/8x6x0'-8" w/ 2) 1/2"Øx1'-6" DBA	GALV.	D01	8			8
SH-02	PL 5/8x6x0'-11" w/ 1) 13/16"Øx3" SLOT, 2) #5x3'-0" & 2) #4x1'-6"	GALV.	D02, D03, D03A, D03B, D19 & D24	27			27
SH-03	PL 3/8x6x0'-8" w/ 2) 1/2"Øx4" HCA & 1) #5x2'-0"	GALV.	D04, D07 & D21	5			5
SH-04	PL 3/8x6x0'-8" w/ 2) 1/2"Øx4" HCA & 1) #5x2'-0"	GALV.	D08, D13, D14, D15, D20 & D22	17			17
SH-05	PL 3/8x6x0'-8" w/ 4) 1/2"Øx4" HCA	GALV.	D12, D18 & D23	20			20
SH-06	PL 3/8x6x0'-8" w/ 2) 1/2"Øx4" HCA & 1) #5x2'-0"	GALV.	D21 & D28	5			5
SH-07	PL 3/8x6x0'-8" w/ 4) 1/2"Øx4" HCA & 3/4"Ø HEX FERRULE INSERT	GALV.	D25 & D25A	6			6
SH-08	3"Øx6" DP. PLASTIC SLEEVE	NONE	D26	2			2



SCALE				PROJECT:	DRAWN BY
2" = 1'-0"				ARCHITECTURAL SOLID WALL PANEL	I.N.
PROJECT NUMBER					CHECKED BY
DEMO01					I.N.
DRAWING NUMBER				DRAWING NUMBER	PRESICION PRECAST DETAILING
SH-00	0	I.N.	XX/XX/XXXX	SITE HARDWARE	
	REV.	BY	DATE		

NOTES:

1. PLATES & SHAPES – ASTM 36
2. ALL WELDING PER AWS D1.1 OR D1.4
3. REBAR – ASTM A706 GR 60

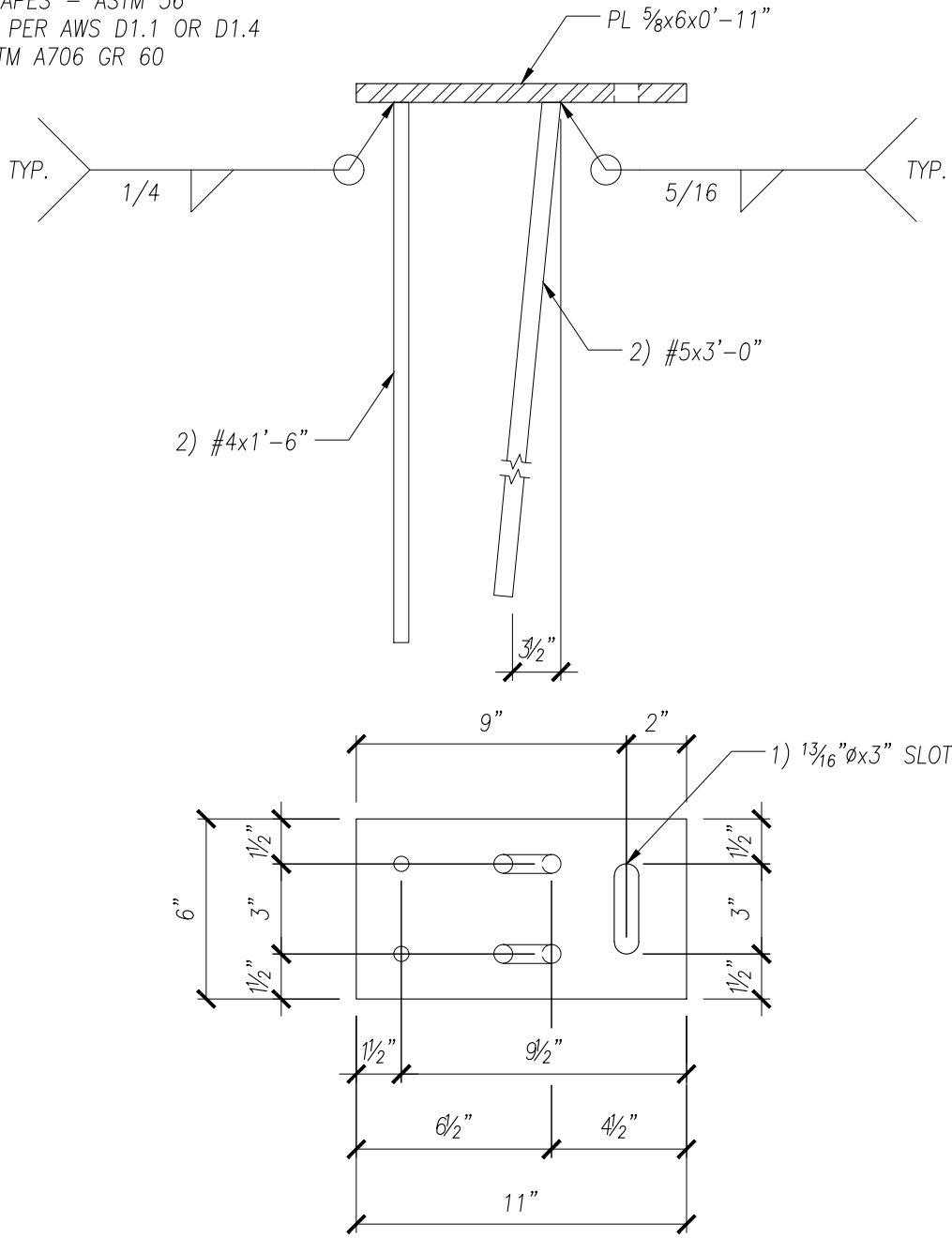


DESCRIPTION	FINISH	REMARKS
PL 3/8x6x0'-8" w/ 2) 1/2"Øx1'-6" DBA	GALV.	D01

SCALE	PROJECT:			DRAWN BY
2" = 1'-0"	ARCHITECTURAL SOLID WALL PANEL			I.N.
PROJECT NUMBER				CHECKED BY
DEMO01				I.N.
DRAWING NUMBER	DRAWING NUMBER			PRESICION PRECAST DETAILING
SH-01	0	I.N.	XX/XX/XXXX	
REV.	BY	DATE		

NOTES:

1. PLATES & SHAPES – ASTM 36
2. ALL WELDING PER AWS D1.1 OR D1.4
3. REBAR – ASTM A706 GR 60



DESCRIPTION

FINISH

REMARKS

PL 5/8x6x0'-11" w/ 1) 1 3/16" ϕ x3" SLOT,
2) #5x3'-0" & 2) #4x1'-6"

GALV.

D02, D03, D03A, D03B, D19 & D24

SCALE

2" = 1'-0"

PROJECT NUMBER

DEMO01

DRAWING NUMBER

SH-02

0	I.N.	XX/XX/XXXX
REV.	BY	DATE

PROJECT:

**ARCHITECTURAL
SOLID WALL PANEL**

DRAWING NUMBER

SITE HARDWARE

DRAWN BY

I.N.

CHECKED BY

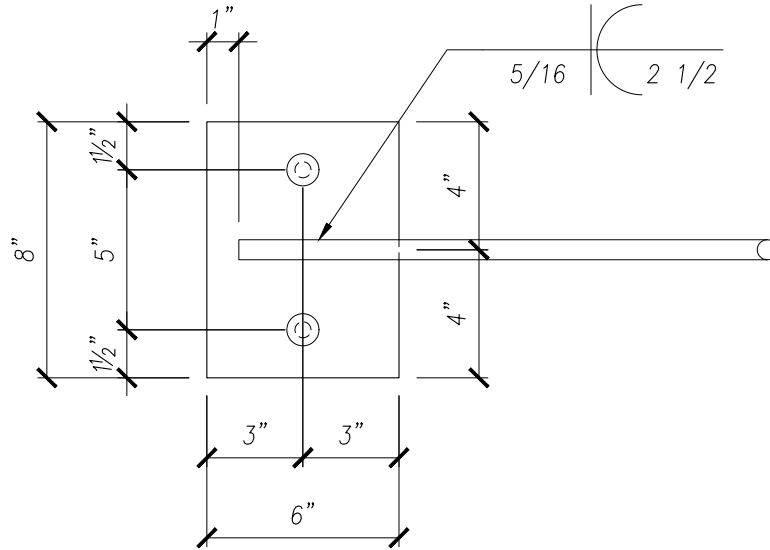
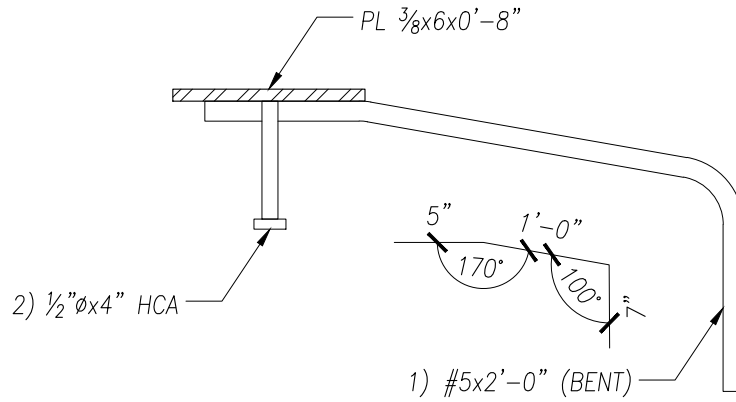
I.N.

PRESICION

PRECAST DETAILING

NOTES:

1. PLATES & SHAPES – ASTM 36
2. HCA – ASTM A108
3. ALL WELDING PER AWS D1.1 OR D1.4
4. REBAR – ASTM A706 GR 60



DESCRIPTION

FINISH

REMARKS

PL 3/8x6x0'-8" w/ 2) 1/2"Øx4" HCA & 1) #5x2'-0"

GALV.

D04, D07 & D21

SCALE

2" = 1'-0"

PROJECT NUMBER

DEMO01

DRAWING NUMBER

SH-03

0	I.N.	XX/XX/XXXX
REV.	BY	DATE

PROJECT:

**ARCHITECTURAL
SOLID WALL PANEL**

DRAWING NUMBER

SITE HARDWARE

DRAWN BY

I.N.

CHECKED BY

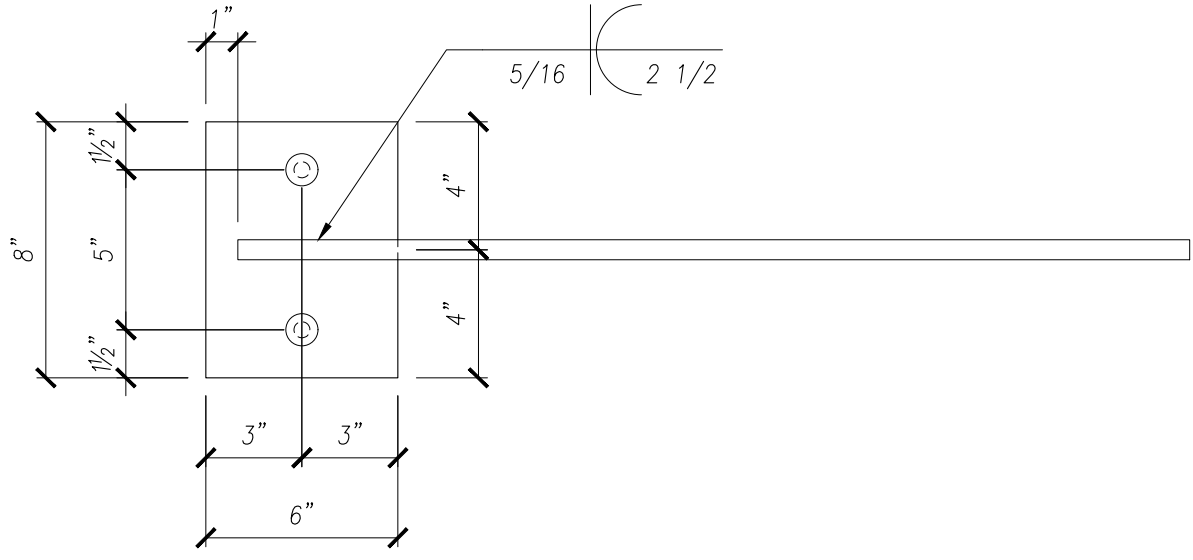
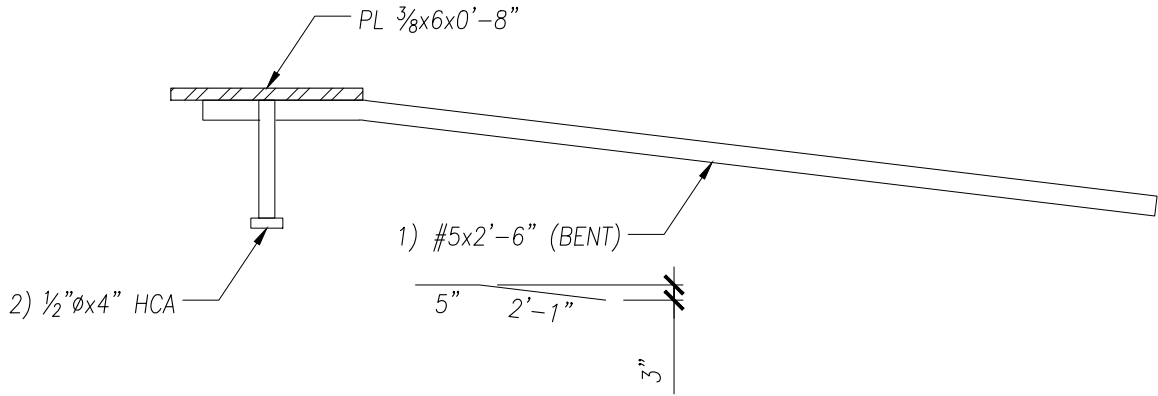
I.N.

PRESICION

PRECAST DETAILING

NOTES:

1. PLATES & SHAPES – ASTM 36
2. HCA – ASTM A108
3. ALL WELDING PER AWS D1.1 OR D1.4
4. REBAR – ASTM A706 GR 60

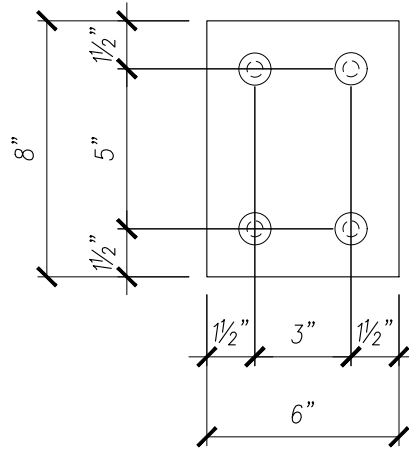
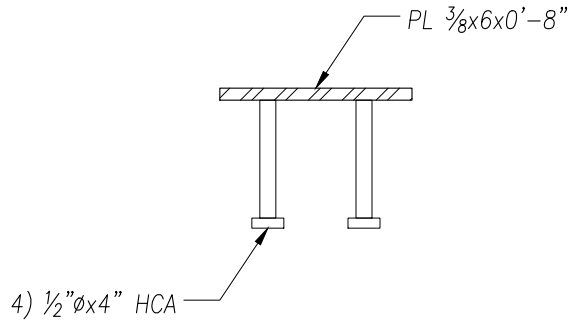


DESCRIPTION	FINISH	REMARKS
PL 3/8x6x0'-8" w/ 2) 1/2"Øx4" HCA & 1) #5x2'-0"	GALV.	D08, D13, D14, D15, D20 & D22

SCALE	PROJECT:			DRAWN BY
2" = 1'-0"	ARCHITECTURAL SOLID WALL PANEL			I.N.
PROJECT NUMBER				CHECKED BY
DEMO01				I.N.
DRAWING NUMBER	DRAWING NUMBER			PRESICION PRECAST DETAILING
SH-04	0	I.N.	XX/XX/XXXX	
REV.	BY	DATE		

NOTES:

1. PLATES & SHAPES – ASTM 36
2. HCA – ASTM A108
3. ALL WELDING PER AWS D1.1 OR D1.4

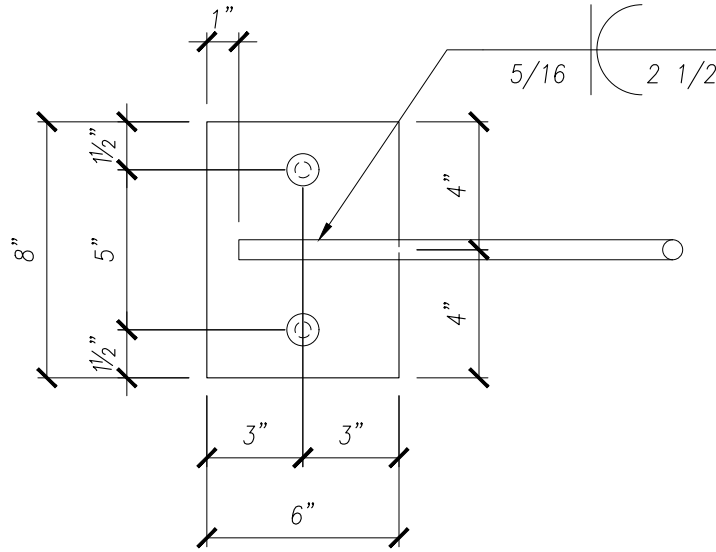
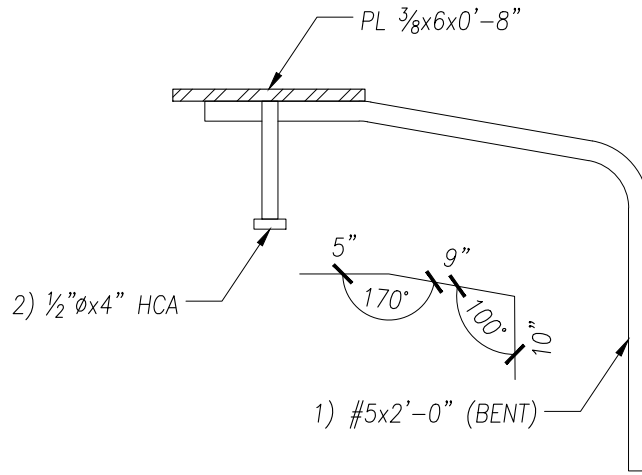


DESCRIPTION	FINISH	REMARKS
$PL \frac{3}{8} \times 6 \times 0'-8''$ w/ $4) \frac{1}{2}'' \phi \times 4''$ HCA	GALV.	D12, D18 & D23

SCALE	PROJECT:			DRAWN BY
2" = 1'-0"	ARCHITECTURAL SOLID WALL PANEL			I.N.
PROJECT NUMBER				CHECKED BY
DEMO01				I.N.
DRAWING NUMBER	DRAWING NUMBER			PRESICION PRECAST DETAILING
SH-05	0	I.N.	XX/XX/XXXX	
REV.	BY	DATE		

NOTES:

1. PLATES & SHAPES – ASTM 36
2. HCA – ASTM A108
3. ALL WELDING PER AWS D1.1 OR D1.4
4. REBAR – ASTM A706 GR 60



DESCRIPTION

FINISH

REMARKS

PL 3/8x6x0'-8" w/ 2) 1/2"Øx4" HCA & 1) #5x2'-0"

GALV.

D21 & D28

SCALE

2" = 1'-0"

PROJECT NUMBER

DEMO01

DRAWING NUMBER

SH-06

0	I.N.	XX/XX/XXXX
REV.	BY	DATE

PROJECT:

**ARCHITECTURAL
SOLID WALL PANEL**

DRAWING NUMBER

SITE HARDWARE

DRAWN BY

I.N.

CHECKED BY

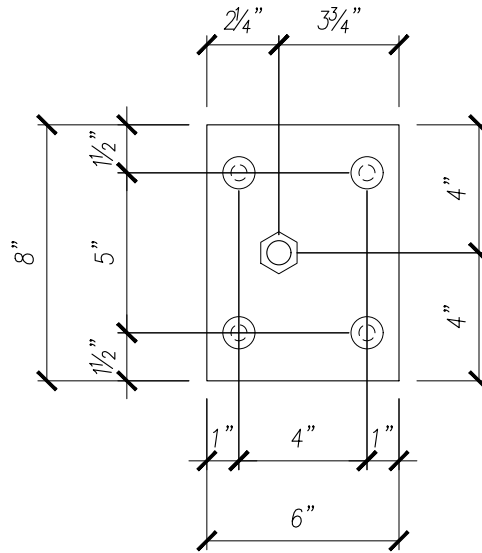
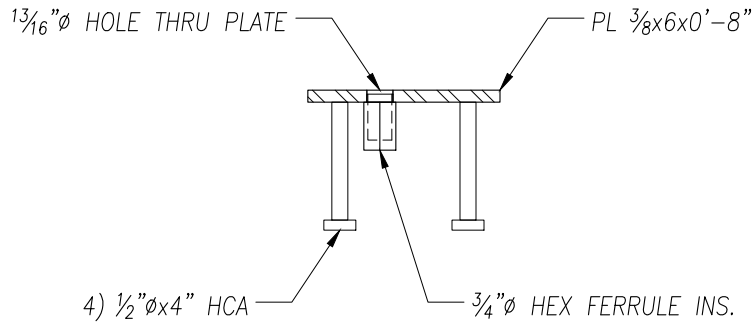
I.N.

PRESICION

PRECAST DETAILING

NOTES:

1. PLATES & SHAPES – ASTM 36
2. HCA – ASTM A108
3. ALL WELDING PER AWS D1.1 OR D1.4



DESCRIPTION

FINISH

REMARKS

PL 3/8x6x0'-8" w/ 4) 1/2"Øx4" HCA
& 3/4"Ø HEX FERRULE INSERT

GALV.

D25 & D25A

SCALE

2" = 1'-0"

PROJECT NUMBER

DEMO01

DRAWING NUMBER

SH-07

0	I.N.	XX/XX/XXXX
REV.	BY	DATE

PROJECT:

**ARCHITECTURAL
SOLID WALL PANEL**

DRAWING NUMBER

SITE HARDWARE

DRAWN BY

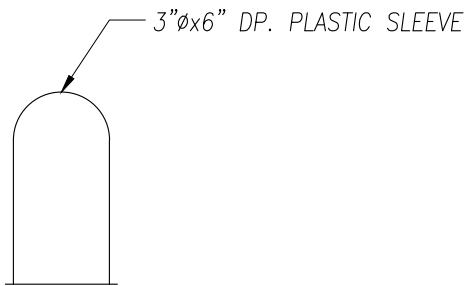
I.N.

CHECKED BY

I.N.

PRESICION

PRECAST DETAILING



DESCRIPTION

FINISH

REMARKS

3"Øx6" DP. PLASTIC SLEEVE

NONE

D26

SCALE				PROJECT:	DRAWN BY
2" = 1'-0"				ARCHITECTURAL SOLID WALL PANEL	I.N.
PROJECT NUMBER					CHECKED BY
DEMO01					I.N.
DRAWING NUMBER				DRAWING NUMBER	PRESICION PRECAST DETAILING
SH-08	0	I.N.	XX/XX/XXXX	SITE HARDWARE	
	REV.	BY	DATE		

SHOP HARDWARE

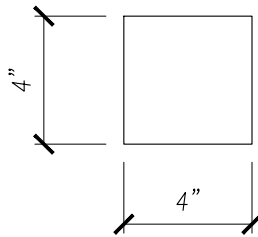
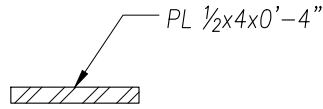
ISSUE DATE & QUANTITY

MARK NO.	DESCRIPTION	FINISH	REMARKS	REV. 0 XX/XX/XX	REV. 1 XX/XX/XX	REV. 2 XX/XX/XX	TOTAL XX/XX/XX
EH-01	PL 1/2x4x0'-4"	GALV.	D01	8			8
EH-02	1/2"x3"x4" PLASTIC SHIM PACK	NONE	D01 & D27	9			9
EH-03	3/4"øx0'-7" LG. (A307) ALLTHREADED ROD	PLAIN	D02, D03, D03A, D03B, D04, D07, D08, D14, D17, D19, D24, D25, D25A, D26 & D28	50			50
EH-04	3/4"ø STD. NUT	PLAIN	D02, D03, D03A, D03B, D04, D05, D06, D07, D08, D11, D14, D16, D17, D19, D24, D25, D25A & D28	166			166
EH-05	3/4"ø STD. WASHER	PLAIN	D02, D03, D03A, D03B, D04, D05, D06, D07, D08, D11, D14, D16, D17, D19, D24, D25, D25A & D28	166			166
EH-06	BENT PL 1/2x6x0'-9" w/ 1) 1 3/16"ø LG. SLOT & 2) 1/4" GUSSETS	GALV.	D04	1			1
EH-07	3/4"øx0'-4" LG. (A307) ALLTHREADED ROD	PLAIN	D05, D06, D11, D16, D25 & D25A	77			77
EH-08	PL 5/8x5x1'-0" w/ 2) 1 3/16"øx3" SLOT	GALV.	D05, D11 & D16	37			37
EH-09	PL 5/8x5x0'-10" w/ 2) 1 3/16"øx3" SLOT	GALV.	D06	3			3
EH-10	3/4"x4"x4" PLASTIC SHIM PACK	GALV.	D06, D10, D25 & D26	13			13
EH-11	L 4x4x1/2x0'-6" w/ 1) 1 3/16"øx3" SLOT	GALV.	D07, D08, D14 & D28	12			12
EH-12	PL 3/8x4x0'-4"	GALV.	D10	3			3
EH-13	1"x4"x4" PLASTIC SHIM PACK	NONE	D12, D18, D23 & D29	20			20
EH-14	3/4"øx1 1/2"x8" PSA STRAP	J.V.	D13, D15, D20 & D22	10			10
EH-15	PL 3/8x4x0'-6"	GALV.	D21	4			4
EH-16	PL 1/2x5x0'-5" w/ 2"ø HOLE	GALV.	D25 & D25A	6			6

--	--	--	--	--	--

SCALE				PROJECT:	DRAWN BY
2" = 1'-0"				ARCHITECTURAL SOLID WALL PANEL	I.N.
PROJECT NUMBER					CHECKED BY
DEMO01					I.N.
DRAWING NUMBER					PRESICION PRECAST DETAILING
EH-00	0	I.N.	XX/XX/XXXX	DRAWING NUMBER	
	REV.	BY	DATE	ERECTION HARDWARE	

NOTE:
 1. PLATES & SHAPES – ASTM 36

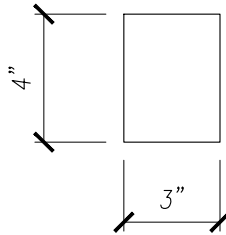


DESCRIPTION	FINISH	REMARKS
PL 1/2x4x0'-4\"	GALV.	D01

SCALE				PROJECT:	DRAWN BY
2" = 1'-0"				ARCHITECTURAL SOLID WALL PANEL	I.N.
PROJECT NUMBER					CHECKED BY
DEMO01					I.N.
DRAWING NUMBER				DRAWING NUMBER	PRESICION PRECAST DETAILING
EH-01	0	I.N.	XX/XX/XXXX	ERECTION HARDWARE	
	REV.	BY	DATE		

NOTE:

1. PLATES & SHAPES – ASTM 36

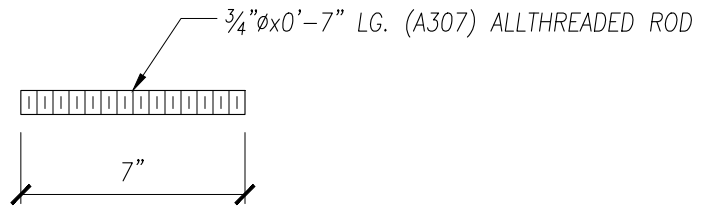


DESCRIPTION	FINISH	REMARKS
$\frac{1}{2}$ "x3"x4" PLASTIC SHIM PACK	NONE	D01 & D27

SCALE				PROJECT:	DRAWN BY
2" = 1'-0"				ARCHITECTURAL SOLID WALL PANEL	I.N.
PROJECT NUMBER					CHECKED BY
DEMO01					I.N.
DRAWING NUMBER				DRAWING NUMBER	PRESICION PRECAST DETAILING
EH-02	0	I.N.	XX/XX/XXXX	ERECTION HARDWARE	
	REV.	BY	DATE		

NOTE:

1. PLATES & SHAPES – ASTM 36

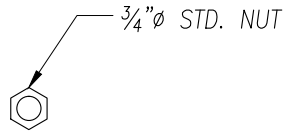


DESCRIPTION	FINISH	REMARKS
$\frac{3}{4}$ " ϕ x0'-7" LG. (A307) ALLTHREADED ROD	PLAIN	D02, D03, D03A, D03B, D04, D07, D08, D14, D17, D19, D24, D25, D25A, D26 & D28

SCALE				PROJECT:	DRAWN BY
2" = 1'-0"				ARCHITECTURAL SOLID WALL PANEL	I.N.
PROJECT NUMBER					CHECKED BY
DEMO01					I.N.
DRAWING NUMBER				DRAWING NUMBER	PRESICION PRECAST DETAILING
EH-03	0	I.N.	XX/XX/XXXX	ERECTION HARDWARE	
	REV.	BY	DATE		

NOTE:

1. PLATES & SHAPES – ASTM 36

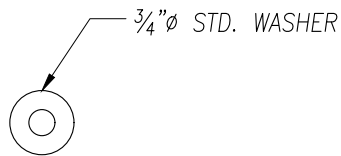


DESCRIPTION	FINISH	REMARKS
3/4" ϕ STD. NUT	PLAIN	D02, D03, D03A, D03B, D04, D05, D06, D07, D08, D11, D14, D16, D17, D19, D24, D25, D25A & D28

SCALE				PROJECT:	DRAWN BY
2" = 1'-0"				ARCHITECTURAL SOLID WALL PANEL	I.N.
PROJECT NUMBER					CHECKED BY
DEMO01					I.N.
DRAWING NUMBER				DRAWING NUMBER	PRESICION PRECAST DETAILING
EH-04	0	I.N.	XX/XX/XXXX	ERECTION HARDWARE	
	REV.	BY	DATE		

NOTE:

1. PLATES & SHAPES – ASTM 36

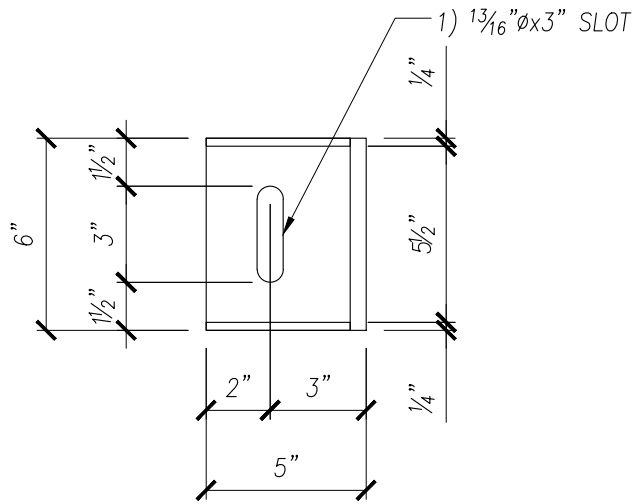
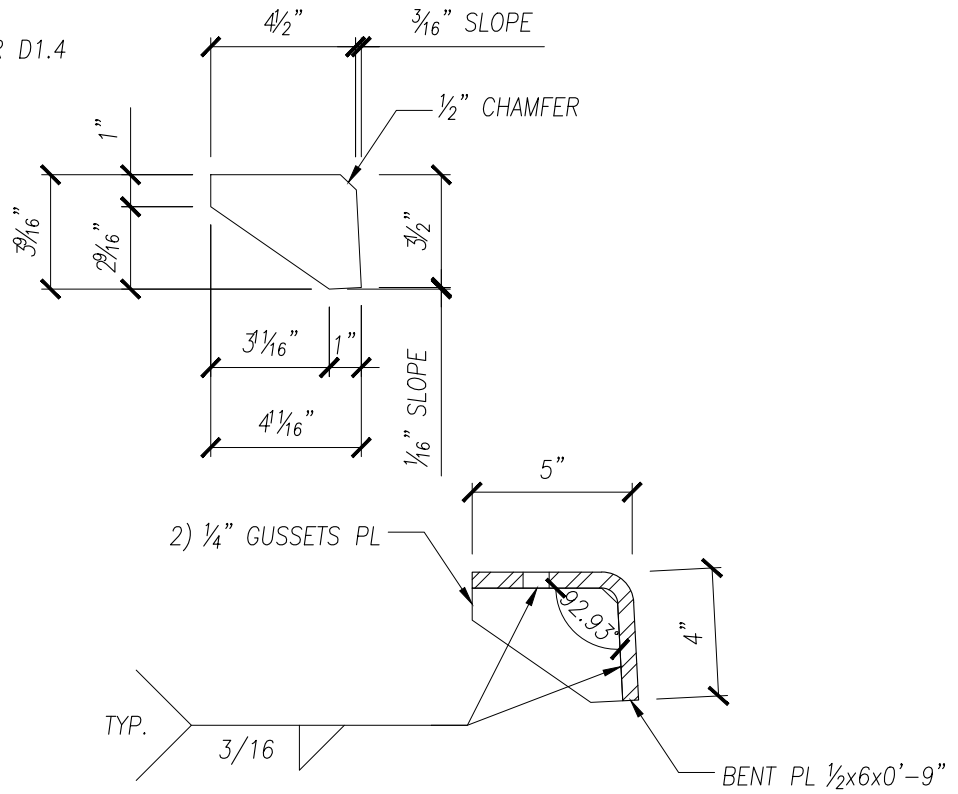


DESCRIPTION	FINISH	REMARKS
3/4" ϕ STD. WASHER	PLAIN	D02, D03, D03A, D03B, D04, D05, D06, D07, D08, D11, D14, D16, D17, D19, D24, D25, D25A & D28

SCALE				PROJECT:	DRAWN BY
2" = 1'-0"				ARCHITECTURAL SOLID WALL PANEL	I.N.
PROJECT NUMBER					CHECKED BY
DEMO01					I.N.
DRAWING NUMBER				DRAWING NUMBER	PRESICION PRECAST DETAILING
EH-05	0	I.N.	XX/XX/XXXX	ERECTION HARDWARE	
	REV.	BY	DATE		

NOTES:

1. PLATES & SHAPES – ASTM 36
2. ALL WELDING PER AWS D1.1 OR D1.4



DESCRIPTION

FINISH

REMARKS

BENT PL 1/2x6x0'-9" w/ 1) 1 3/16" LG. SLOT & 2) 1/4" GUSSETS

GALV.

D04

SCALE

2" = 1'-0"

PROJECT NUMBER

DEMO01

DRAWING NUMBER

EH-06

0	I.N.	XX/XX/XXXX
REV.	BY	DATE

PROJECT:

**ARCHITECTURAL
SOLID WALL PANEL**

DRAWING NUMBER

ERECTION HARDWARE

DRAWN BY

I.N.

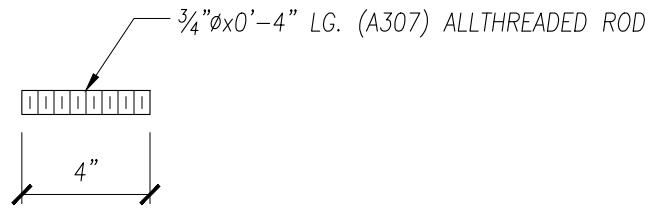
CHECKED BY

I.N.

PRESICION

PRECAST DETAILING

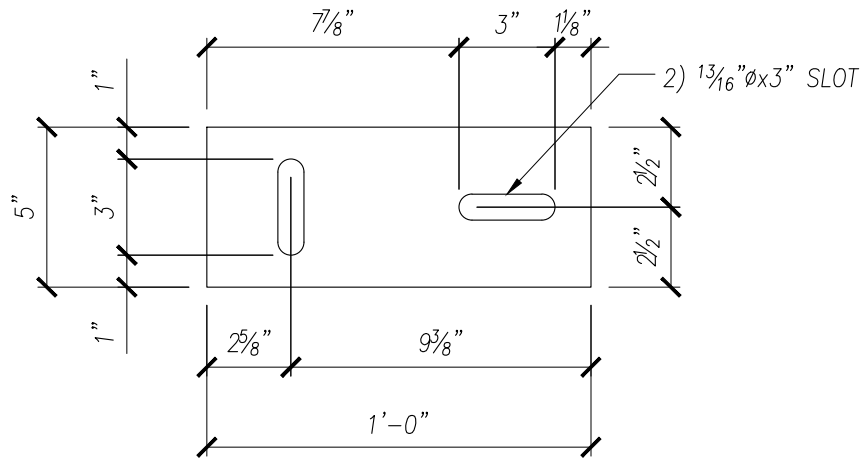
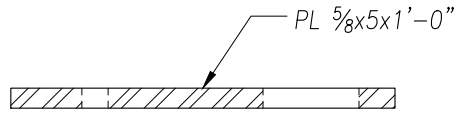
NOTE:
 1. PLATES & SHAPES – ASTM 36



DESCRIPTION	FINISH	REMARKS
$\frac{3}{4}$ " ϕ x0'-4" LG. (A307) ALLTHREADED ROD	PLAIN	D05, D06, D11, D16, D25 & D25A

SCALE				PROJECT:	DRAWN BY
2" = 1'-0"				ARCHITECTURAL SOLID WALL PANEL	I.N.
PROJECT NUMBER					CHECKED BY
DEMO01					I.N.
DRAWING NUMBER				DRAWING NUMBER	PRESICION PRECAST DETAILING
EH-07	0	I.N.	XX/XX/XXXX	ERECTION HARDWARE	
	REV.	BY	DATE		

NOTE:
 1. PLATES & SHAPES – ASTM 36



DESCRIPTION

FINISH

REMARKS

PL 5/8x5x1'-0" w/ 2) 1 3/16"∅x3" SLOT

GALV.

D05, D11 & D16

SCALE

2" = 1'-0"

PROJECT NUMBER

DEMO01

DRAWING NUMBER

EH-08

0	I.N.	XX/XX/XXXX
REV.	BY	DATE

PROJECT:

**ARCHITECTURAL
 SOLID WALL PANEL**

DRAWING NUMBER

ERECTION HARDWARE

DRAWN BY

I.N.

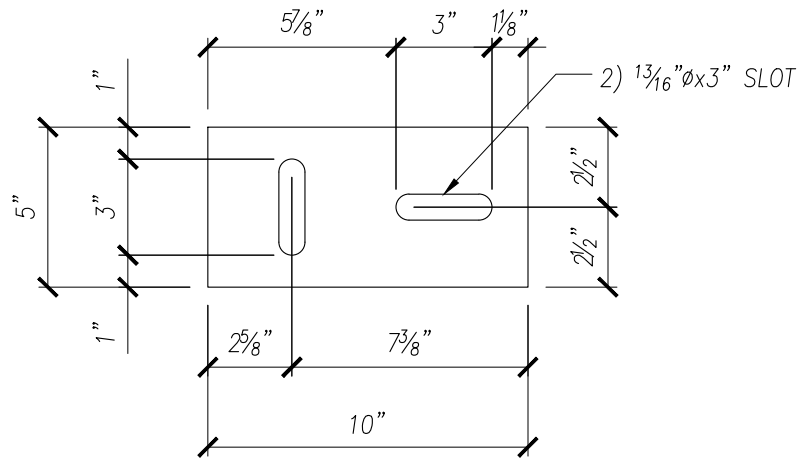
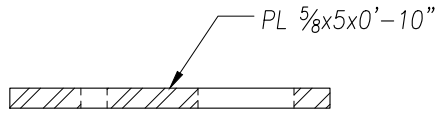
CHECKED BY

I.N.

PRESICION

PRECAST DETAILING

NOTE:
 1. PLATES & SHAPES – ASTM 36



DESCRIPTION

FINISH

REMARKS

PL $\frac{5}{8}$ x5x0'-10" w/ 2) $\frac{13}{16}$ "Øx3" SLOT

GALV.

D06

SCALE

2" = 1'-0"

PROJECT NUMBER

DEMO01

DRAWING NUMBER

EH-09

0	I.N.	XX/XX/XXXX
REV.	BY	DATE

PROJECT:

**ARCHITECTURAL
 SOLID WALL PANEL**

DRAWING NUMBER

ERECTION HARDWARE

DRAWN BY

I.N.

CHECKED BY

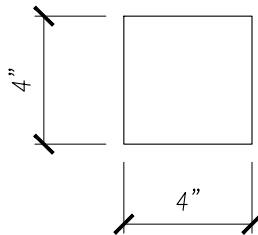
I.N.

PRESICION

PRECAST DETAILING

NOTE:

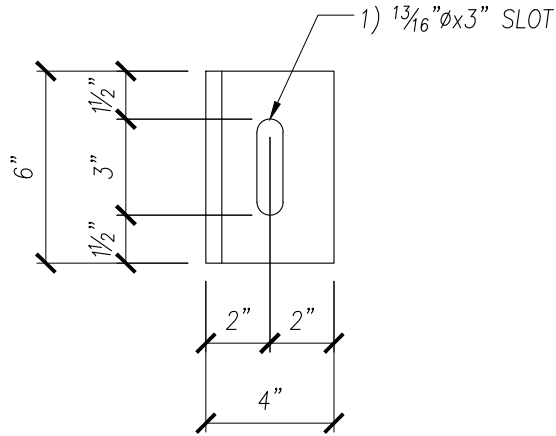
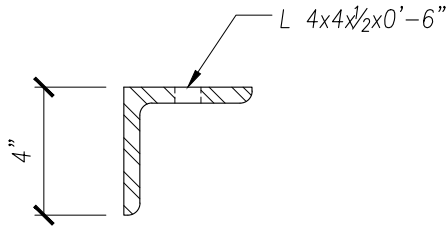
1. PLATES & SHAPES – ASTM 36



DESCRIPTION	FINISH	REMARKS
3/4"x4"x4" PLASTIC SHIM PACK	GALV.	D06, D10, D25 & D26

SCALE				PROJECT:	DRAWN BY
2" = 1'-0"				ARCHITECTURAL SOLID WALL PANEL	I.N.
PROJECT NUMBER					CHECKED BY
DEMO01					I.N.
DRAWING NUMBER				DRAWING NUMBER	PRESICION PRECAST DETAILING
EH-10	0	I.N.	XX/XX/XXXX	ERECTION HARDWARE	
	REV.	BY	DATE		

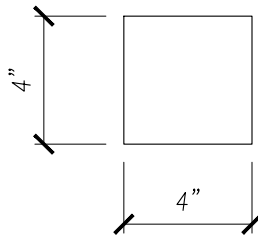
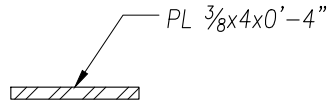
NOTE:
 1. PLATES & SHAPES – ASTM 36



DESCRIPTION	FINISH	REMARKS
L 4x4 1/2x0'-6" w/ 1) 1 3/16"Øx3" SLOT	GALV.	D07, D08, D14 & D28

SCALE	PROJECT:			DRAWN BY
2" = 1'-0"	ARCHITECTURAL SOLID WALL PANEL			I.N.
PROJECT NUMBER				CHECKED BY
DEMO01	DRAWING NUMBER			PRESICION
DRAWING NUMBER	ERECTION HARDWARE			PRECAST DETAILING
EH-11				0
REV.	BY	DATE		

NOTE:
 1. PLATES & SHAPES – ASTM 36

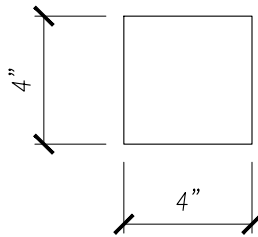
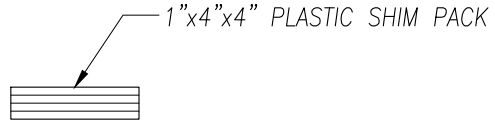


DESCRIPTION	FINISH	REMARKS
$PL \frac{3}{8} \times 4 \times 0' - 4''$	GALV.	D10

SCALE				PROJECT:	DRAWN BY
2" = 1'-0"				ARCHITECTURAL SOLID WALL PANEL	I.N.
PROJECT NUMBER					CHECKED BY
DEMO01					I.N.
DRAWING NUMBER				DRAWING NUMBER	PRESICION PRECAST DETAILING
EH-12	0	I.N.	XX/XX/XXXX	ERECTION HARDWARE	
	REV.	BY	DATE		

NOTE:

1. PLATES & SHAPES – ASTM 36

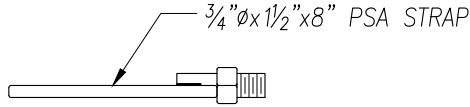


DESCRIPTION	FINISH	REMARKS
1"x4"x4" PLASTIC SHIM PACK	NONE	D12, D18, D23 & D29

SCALE				PROJECT:	DRAWN BY
2" = 1'-0"				ARCHITECTURAL SOLID WALL PANEL	I.N.
PROJECT NUMBER					CHECKED BY
DEMO01					I.N.
DRAWING NUMBER				DRAWING NUMBER	PRESICION PRECAST DETAILING
EH-13	0	I.N.	XX/XX/XXXX	ERECTION HARDWARE	
	REV.	BY	DATE		

NOTE:

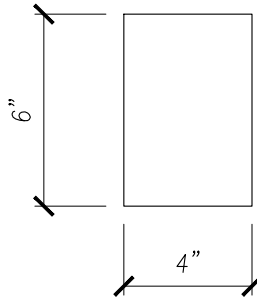
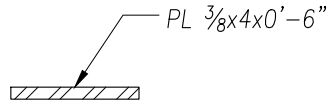
1. PLATES & SHAPES – ASTM 36



DESCRIPTION	FINISH	REMARKS
3/4" ϕ x 1 1/2" x 8" PSA STRAP	J.V.	D13, D15, D20 & D22

SCALE				PROJECT:	DRAWN BY
2" = 1'-0"				ARCHITECTURAL SOLID WALL PANEL	I.N.
PROJECT NUMBER					CHECKED BY
DEMO01					I.N.
DRAWING NUMBER				DRAWING NUMBER	PRESICION PRECAST DETAILING
EH-14	0	I.N.	XX/XX/XXXX	ERECTION HARDWARE	
	REV.	BY	DATE		

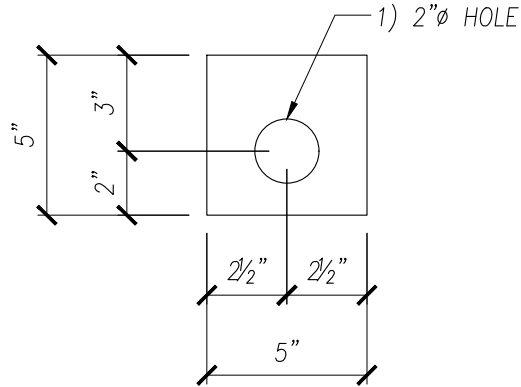
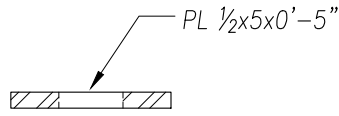
NOTE:
 1. PLATES & SHAPES – ASTM 36



DESCRIPTION	FINISH	REMARKS
PL $\frac{3}{8}$ x4x0'-6"	GALV.	D21

SCALE				PROJECT:	DRAWN BY
2" = 1'-0"				ARCHITECTURAL SOLID WALL PANEL	I.N.
PROJECT NUMBER					CHECKED BY
DEMO01					I.N.
DRAWING NUMBER				DRAWING NUMBER	PRESICION PRECAST DETAILING
EH-15	0	I.N.	XX/XX/XXXX	ERECTION HARDWARE	
	REV.	BY	DATE		

NOTE:
 1. PLATES & SHAPES – ASTM 36



DESCRIPTION

FINISH

REMARKS

PL 1/2x5x0'-5" w/ 2"Ø HOLE

GALV.

D25 & D25A

SCALE

2" = 1'-0"

PROJECT NUMBER

DEMO01

DRAWING NUMBER

EH-16

0	I.N.	XX/XX/XXXX
REV.	BY	DATE

PROJECT:

**ARCHITECTURAL
 SOLID WALL PANEL**

DRAWING NUMBER

ERECTION HARDWARE

DRAWN BY

I.N.

CHECKED BY

I.N.

PRESICION

PRECAST DETAILING

SHOP HARDWARE

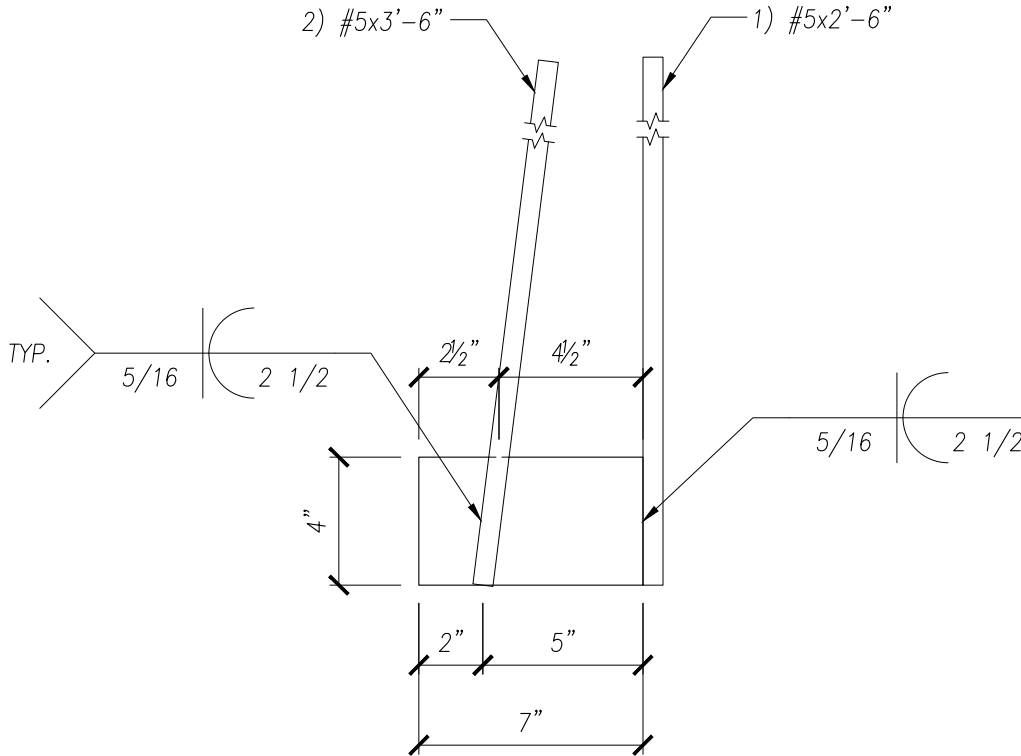
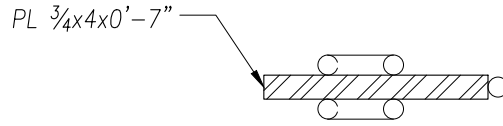
ISSUE DATE & QUANTITY

MARK NO.	DESCRIPTION	FINISH	REMARKS	REV. 0 XX/XX/XX	REV. 1 XX/XX/XX	REV. 2 XX/XX/XX	TOTAL XX/XX/XX
PH-01	PL 3/4x4x0'-7" w/ 2) #5x3'-6" & 1) #5x2'-6"	GALV.	D01	8			8
PH-02	PSA 6035 NUT TYPE SLOTTED INSERT	J.V.	D02, D03, D03A, D03B, D04, D07, D08, D13, D14, D15, D17, D19, D20, D22, D24 & D28	44			44
PH-03	3/4"Ø MB FX5 FERRULE LOOP INSERT	PLAIN	D05, D11, D16 D25, D25A & D26	90			90
PH-04	L 4x4x3/8x0'-6" w/ 3/4"Ø HEX FERRULE INS. & 2) #5x1'-5"	GALV.	D06	6			6
PH-05	3"Øx1'-4" DP. PLASTIC SLEEVE	NONE	D09	9			9
PH-06	L 4x4x3/8x0'-6" w/ 4) #4x1'-6"	GALV.	D10	3			3
PH-07	PL 3/8x6x0'-8" w/ 2) 1/2"Øx4" HCA & 1) #4x1'-9"	GALV.	D10	3			3
PH-08	PL 3/4x4x0'-11" w/ 2) #5x3'-6" & 1) #5x2'-6"	GALV.	D12 & D29	9			9
PH-09	PL 3/4x4x0'-9" w/ 2) #5x2'-8" & 1) #5x2'-6"	GALV.	D18	6			6
PH-10	PL 3/8x4x0'-6" w/ 2) 1/2"Øx4" HCA	GALV.	D21	4			4
PH-11	PL 3/4x4x0'-11" w/ 2) #5x3'-4" & 1) #5x2'-6"	GALV.	D23	5			5
PH-12	PL 3/8x4x0'-8" w/ 2) 1/2"Øx4" HCA	GALV.	D25 & D25A	6			6
PH-13	3"Øx6" DP. PLASTIC SLEEVE	NONE	D25, D25A & D26	8			8
PH-14	PL 1x6x0'-7" w/ 4) 1/2"Øx1'-6" DBA	GALV.	D27	1			1

SCALE				PROJECT:	DRAWN BY
2" = 1'-0"				ARCHITECTURAL SOLID WALL PANEL	I.N.
PROJECT NUMBER					CHECKED BY
DEMO01					I.N.
DRAWING NUMBER					PRESICION PRECAST DETAILING
PH-00	0	I.N.	XX/XX/XXXX	DRAWING NUMBER	
	REV.	BY	DATE	PLANT HARDWARE	

NOTES:

1. PLATES & SHAPES – ASTM 36
2. ALL WELDING PER AWS D1.1 OR D1.4
3. REBAR – ASTM A706 GR 60



DESCRIPTION	FINISH	REMARKS
PL 3/4x4x0'-7" w/ 2) #5x3'-6" & 1) #5x2'-6"	GALV.	D01

SCALE				PROJECT:	DRAWN BY
2" = 1'-0"				ARCHITECTURAL SOLID WALL PANEL	I.N.
PROJECT NUMBER					CHECKED BY
DEMO01					I.N.
DRAWING NUMBER				DRAWING NUMBER	PRESICION PRECAST DETAILING
PH-01	0	I.N.	XX/XX/XXXX	PLANT HARDWARE	
REV.	BY	DATE			

NOTE:

1. PLATES & SHAPES – ASTM 36



DESCRIPTION	FINISH	REMARKS
PSA 6035 NUT TYPE SLOTTED INSERT	J.V.	D02, D03, D03A, D03B, D04, D07, D08, D13, D14, D15, D17, D19, D20, D22, D24 & D28

SCALE				PROJECT:	DRAWN BY
2" = 1'-0"				ARCHITECTURAL SOLID WALL PANEL	I.N.
PROJECT NUMBER					CHECKED BY
DEMO01					I.N.
DRAWING NUMBER				DRAWING NUMBER	PRESICION PRECAST DETAILING
PH-02	0	I.N.	XX/XX/XXXX	PLANT HARDWARE	
	REV.	BY	DATE		

NOTE:

1. PLATES & SHAPES – ASTM 36

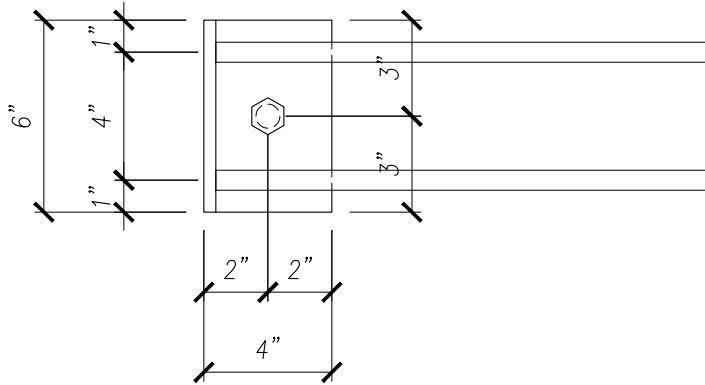
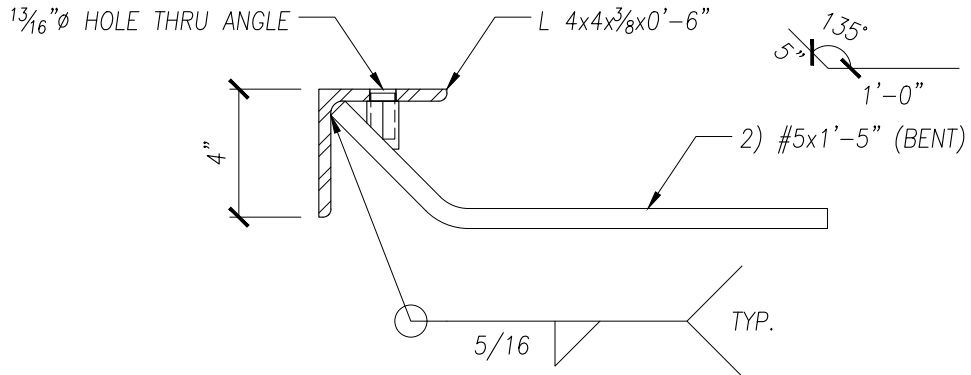


DESCRIPTION	FINISH	REMARKS
$\frac{3}{4}$ " ϕ MB FX5 FERRULE LOOP INSERT	PLAIN	D05, D11, D16 D25, D25A & D26

SCALE				PROJECT:	DRAWN BY
2" = 1'-0"				ARCHITECTURAL SOLID WALL PANEL	I.N.
PROJECT NUMBER					CHECKED BY
DEMO01					I.N.
DRAWING NUMBER				DRAWING NUMBER	PRESICION PRECAST DETAILING
PH-03	0	I.N.	XX/XX/XXXX	PLANT HARDWARE	
	REV.	BY	DATE		

NOTES:

1. PLATES & SHAPES – ASTM 36
2. ALL WELDING PER AWS D1.1 OR D1.4
3. REBAR – ASTM A706 GR 60



DESCRIPTION

FINISH

REMARKS

L 4x4x3/8x0'-6" w/ 3/4"Ø HEX FERRULE INS. & 2) #5x1'-5"

GALV.

D06

SCALE

2" = 1'-0"

PROJECT NUMBER

DEMO01

DRAWING NUMBER

PH-04

0	I.N.	XX/XX/XXXX
REV.	BY	DATE

PROJECT:

**ARCHITECTURAL
SOLID WALL PANEL**

DRAWING NUMBER

PLANT HARDWARE

DRAWN BY

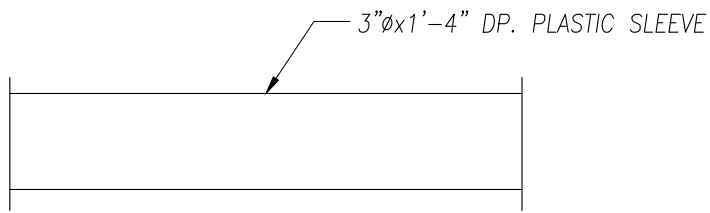
I.N.

CHECKED BY

I.N.

PRESICION

PRECAST DETAILING

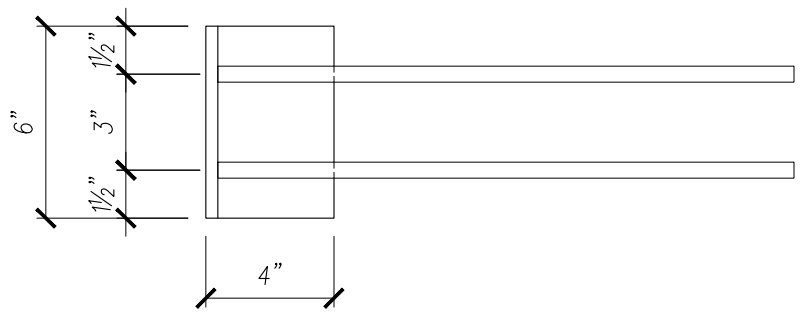
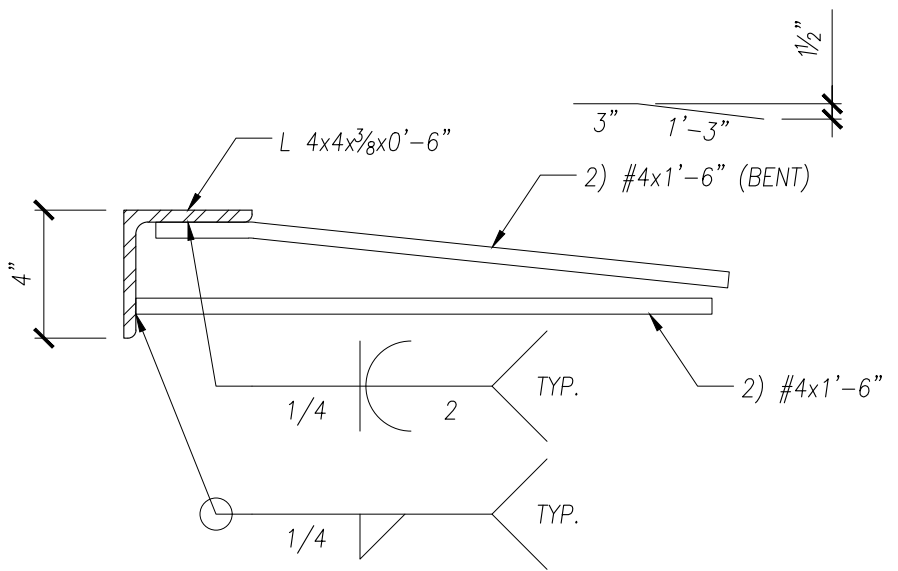
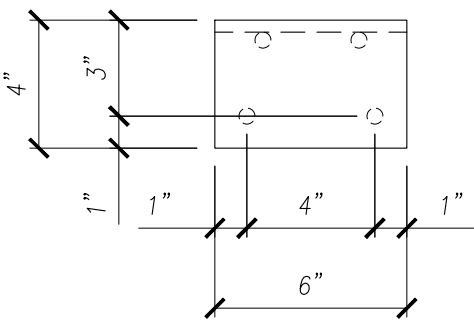


DESCRIPTION	FINISH	REMARKS
3"Øx1'-4" DP. PLASTIC SLEEVE	NONE	D09

SCALE				PROJECT:	DRAWN BY
2" = 1'-0"				ARCHITECTURAL SOLID WALL PANEL	I.N.
PROJECT NUMBER					CHECKED BY
DEMO01					I.N.
DRAWING NUMBER				DRAWING NUMBER	PRESICION PRECAST DETAILING
PH-05	0	I.N.	XX/XX/XXXX	PLANT HARDWARE	
	REV.	BY	DATE		

NOTES:

1. PLATES & SHAPES – ASTM 36
2. ALL WELDING PER AWS D1.1 OR D1.4
3. REBAR – ASTM A706 GR 60

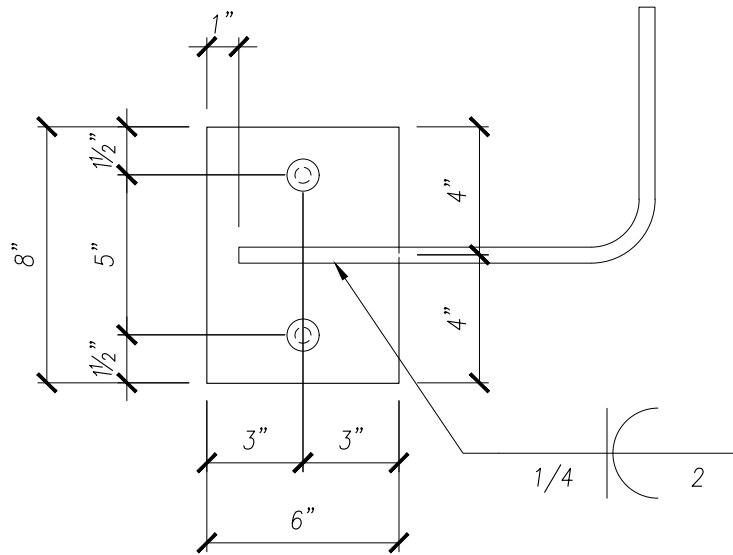
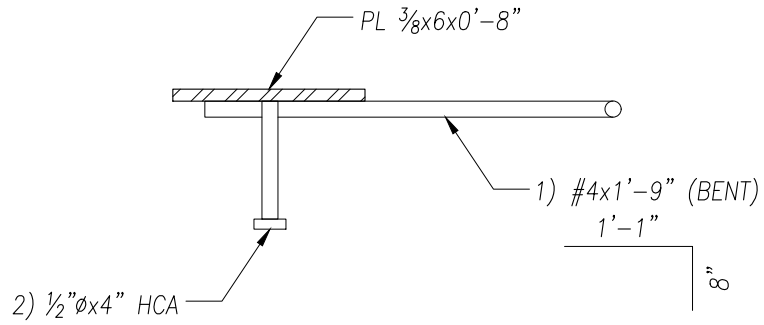


DESCRIPTION	FINISH	REMARKS
L 4x4x3/8x0'-6" w/4) #4x1'-6"	GALV.	D10

SCALE				PROJECT:	DRAWN BY
2" = 1'-0"				ARCHITECTURAL SOLID WALL PANEL	I.N.
PROJECT NUMBER					CHECKED BY
DEMO01					I.N.
DRAWING NUMBER				DRAWING NUMBER	PRESICION PRECAST DETAILING
PH-06	0	I.N.	XX/XX/XXXX	PLANT HARDWARE	
REV.	BY	DATE			

NOTES:

1. PLATES & SHAPES – ASTM 36
2. HCA – ASTM A108
3. ALL WELDING PER AWS D1.1 OR D1.4
4. REBAR – ASTM A706 GR 60

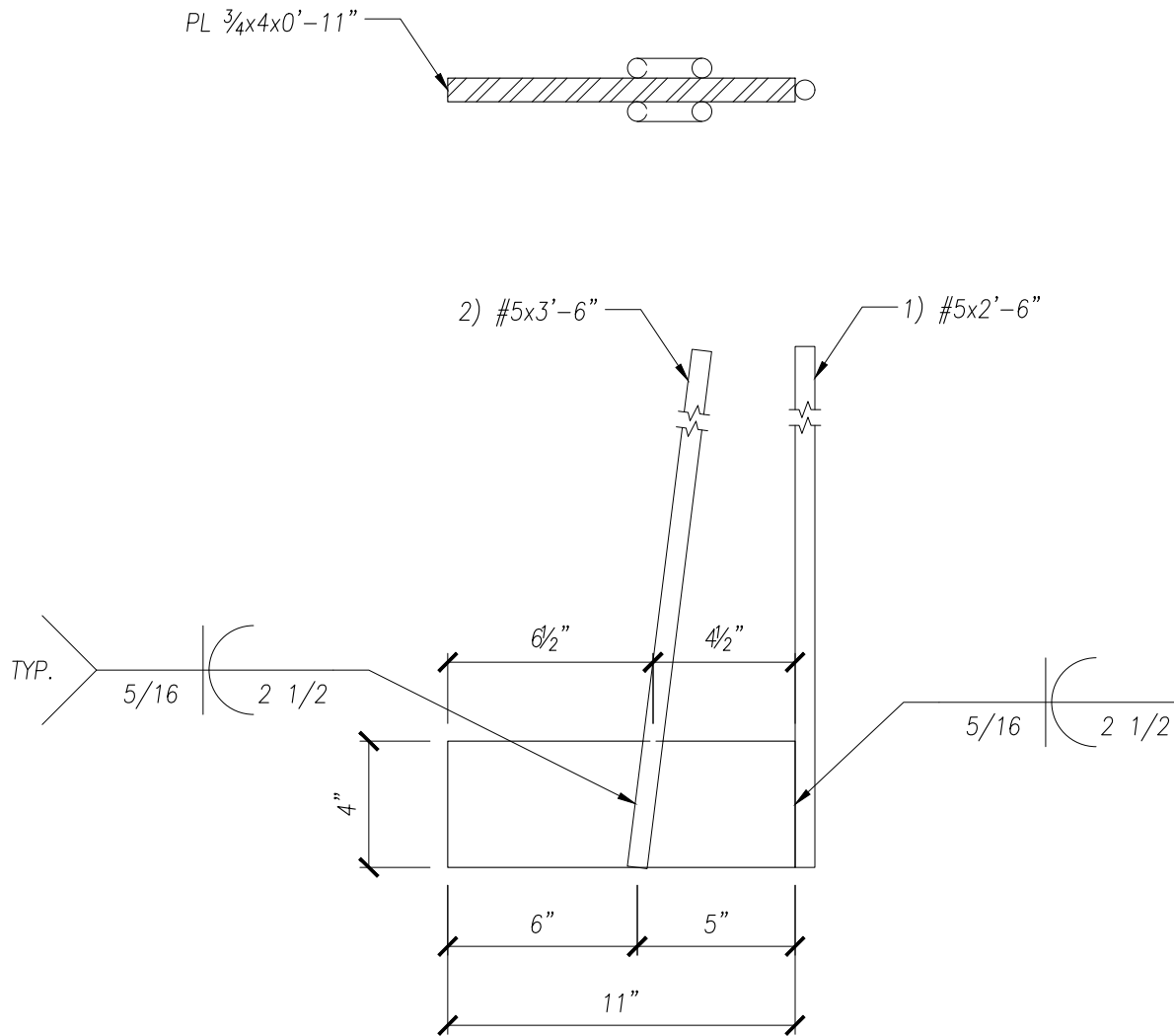


DESCRIPTION	FINISH	REMARKS
PL 3/8x6x0'-8" w/ 2) 1/2"Øx4" HCA & 1) #4x1'-9"	GALV.	D10

SCALE				PROJECT:	DRAWN BY	
2" = 1'-0"				I.N.		
PROJECT NUMBER	ARCHITECTURAL SOLID WALL PANEL			CHECKED BY		
DEMO01				I.N.		
DRAWING NUMBER	PLANT HARDWARE			PRESICION PRECAST DETAILING		
PH-07						DRAWING NUMBER
REV.	0	I.N.	XX/XX/XXXX			
	BY		DATE			

NOTES:

1. PLATES & SHAPES – ASTM 36
2. ALL WELDING PER AWS D1.1 OR D1.4
3. REBAR – ASTM A706 GR 60



DESCRIPTION

FINISH

REMARKS

PL $\frac{3}{4} \times 4 \times 0'-11''$ w/ 2) #5x3'-6" & 1) #5x2'-6"

GALV.

D12 & D29

SCALE

2" = 1'-0"

PROJECT NUMBER

DEMO01

DRAWING NUMBER

PH-08

0	I.N.	XX/XX/XXXX
REV.	BY	DATE

PROJECT:

**ARCHITECTURAL
SOLID WALL PANEL**

DRAWING NUMBER

PLANT HARDWARE

DRAWN BY

I.N.

CHECKED BY

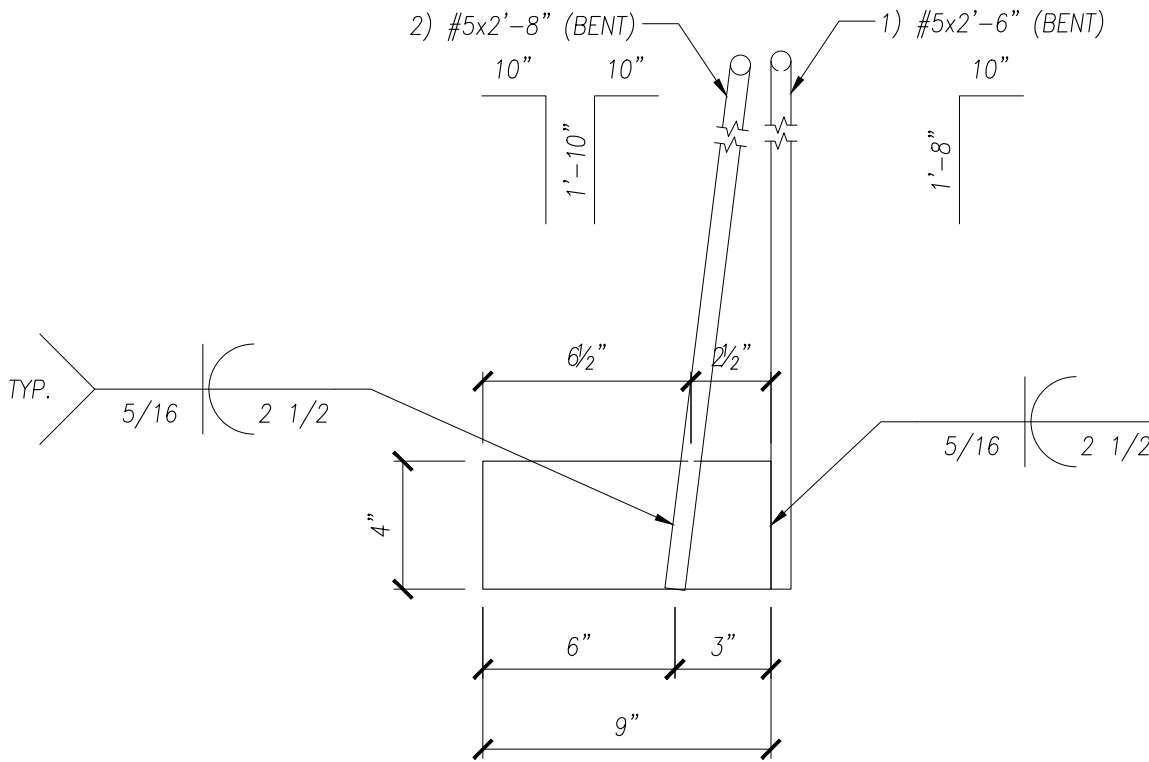
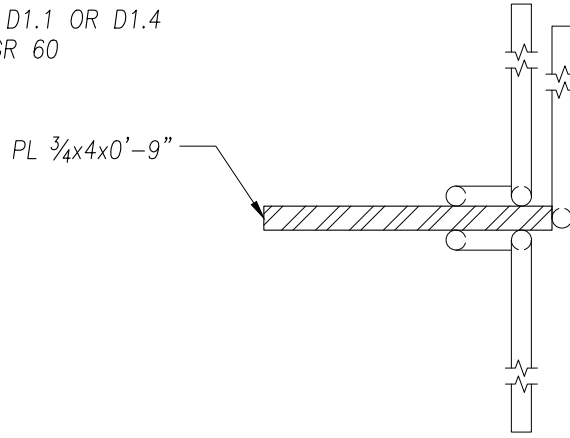
I.N.

PRESICION

PRECAST DETAILING

NOTES:

1. PLATES & SHAPES – ASTM 36
2. ALL WELDING PER AWS D1.1 OR D1.4
3. REBAR – ASTM A706 GR 60

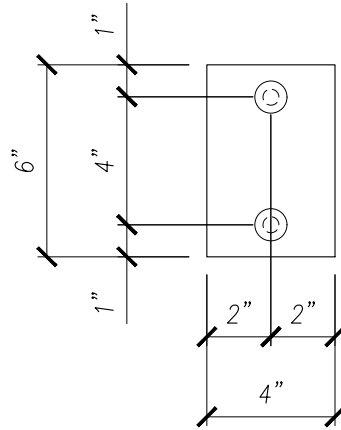
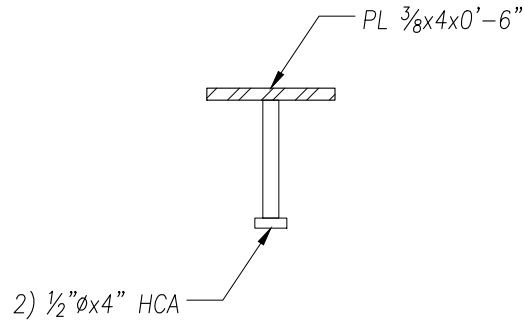


DESCRIPTION	FINISH	REMARKS
PL $\frac{3}{4} \times 4 \times 0'-9''$ w/ 2) #5x2'-8" & 1) #5x2'-6"	GALV.	D18

SCALE	PROJECT:			DRAWN BY
2" = 1'-0"	ARCHITECTURAL SOLID WALL PANEL			I.N.
PROJECT NUMBER				CHECKED BY
DEMO01				I.N.
DRAWING NUMBER	DRAWING NUMBER			PRESICION PRECAST DETAILING
PH-09	0	I.N.	XX/XX/XXXX	
REV.	BY	DATE		

NOTES:

1. PLATES & SHAPES – ASTM 36
2. HCA – ASTM A108
3. ALL WELDING PER AWS D1.1 OR D1.4



DESCRIPTION

FINISH

REMARKS

PL 3/8x4x0'-6" w/ 2) 1/2"Øx4" HCA

GALV.

D21

SCALE

2" = 1'-0"

PROJECT NUMBER

DEMO01

DRAWING NUMBER

PH-10

0	I.N.	XX/XX/XXXX
REV.	BY	DATE

PROJECT:

**ARCHITECTURAL
SOLID WALL PANEL**

DRAWING NUMBER

PLANT HARDWARE

DRAWN BY

I.N.

CHECKED BY

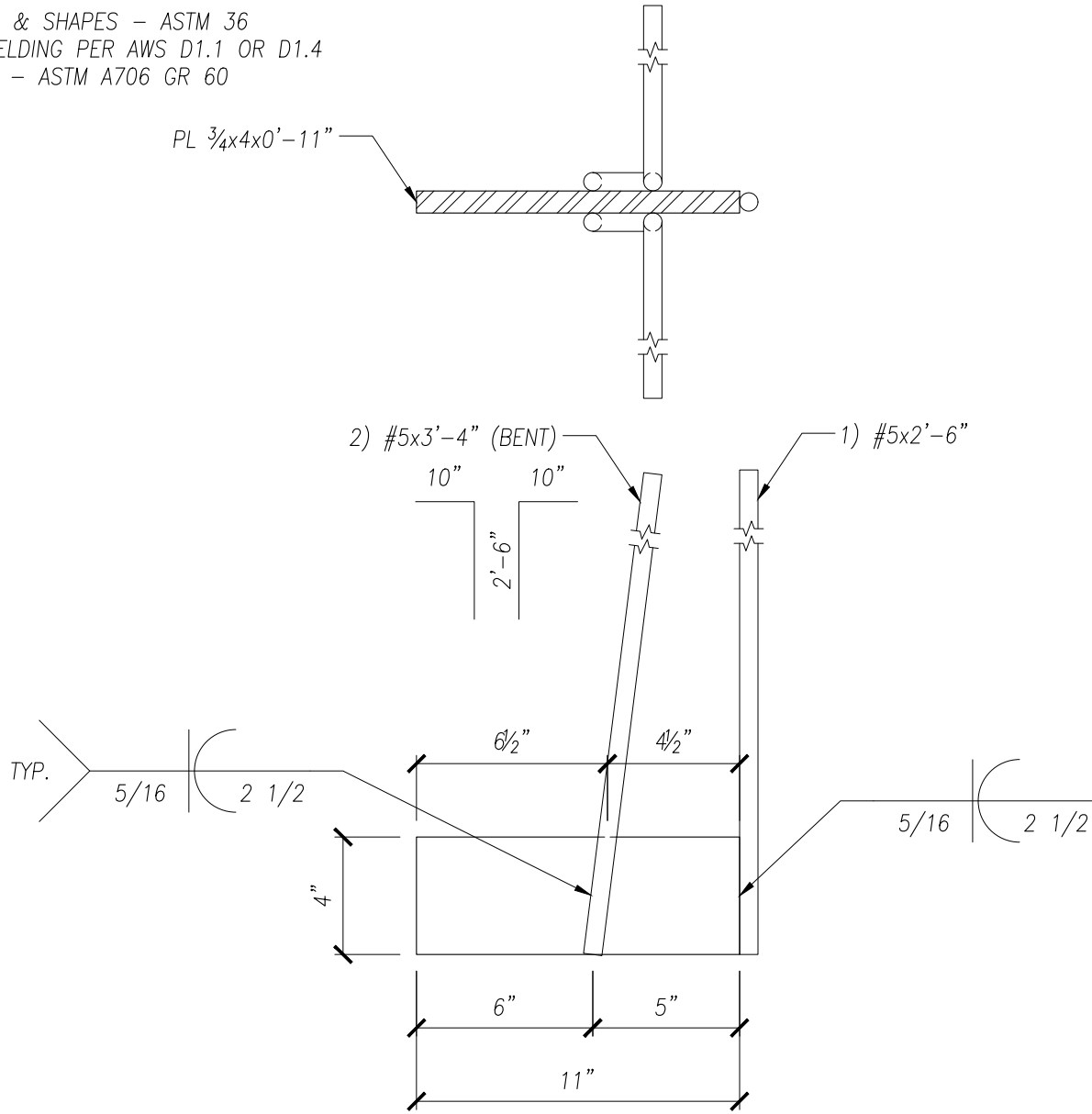
I.N.

PRESICION

PRECAST DETAILING

NOTES:

1. PLATES & SHAPES – ASTM 36
2. ALL WELDING PER AWS D1.1 OR D1.4
3. REBAR – ASTM A706 GR 60



DESCRIPTION

FINISH

REMARKS

PL 3/4x4x0'-11" w/ 2) #5x3'-4" & 1) #5x2'-6"

GALV.

D23

SCALE

2" = 1'-0"

PROJECT NUMBER

DEMO01

DRAWING NUMBER

PH-11

0	I.N.	XX/XX/XXXX
REV.	BY	DATE

PROJECT:

**ARCHITECTURAL
SOLID WALL PANEL**

DRAWING NUMBER

PLANT HARDWARE

DRAWN BY

I.N.

CHECKED BY

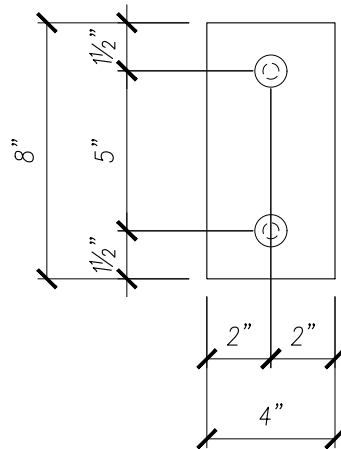
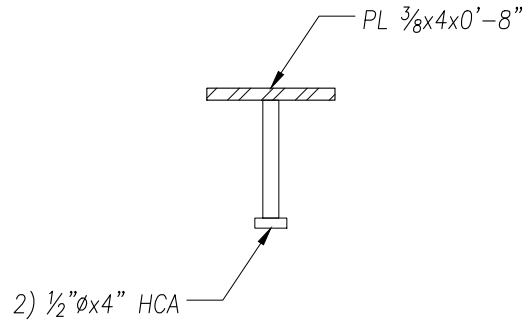
I.N.

PRESICION

PRECAST DETAILING

NOTES:

1. PLATES & SHAPES – ASTM 36
2. HCA – ASTM A108
3. ALL WELDING PER AWS D1.1 OR D1.4



DESCRIPTION

FINISH

REMARKS

PL 3/8x4x0'-8" w/ 2) 1/2"Øx4" HCA

GALV.

D25 & D25A

SCALE

2" = 1'-0"

PROJECT NUMBER

DEMO01

DRAWING NUMBER

PH-12

0	I.N.	XX/XX/XXXX
REV.	BY	DATE

PROJECT:

**ARCHITECTURAL
SOLID WALL PANEL**

DRAWING NUMBER

PLANT HARDWARE

DRAWN BY

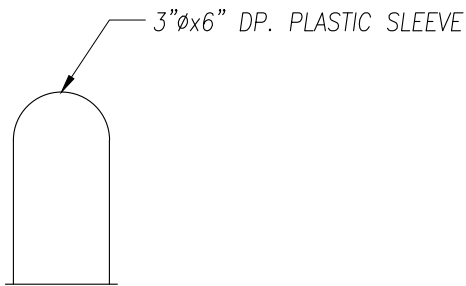
I.N.

CHECKED BY

I.N.

PRESICION

PRECAST DETAILING



DESCRIPTION

FINISH

REMARKS

3"Øx6" DP. PLASTIC SLEEVE

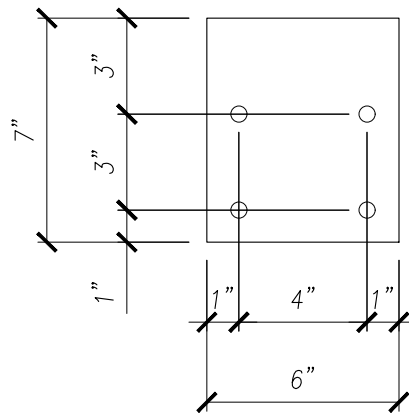
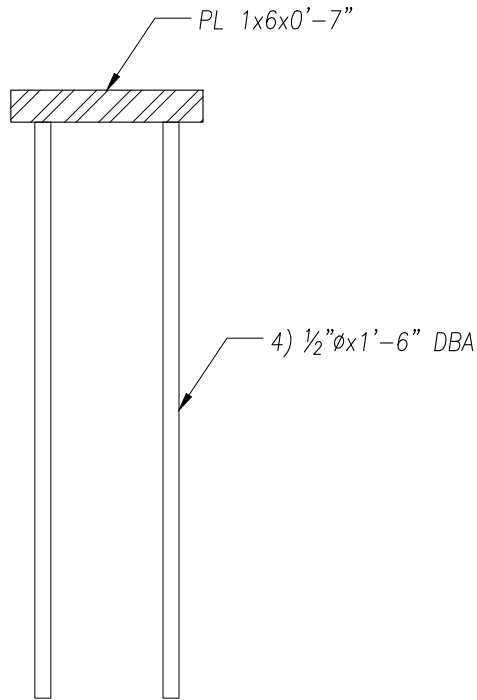
NONE

D25, D25A & D26

SCALE				PROJECT:	DRAWN BY
2" = 1'-0"				ARCHITECTURAL SOLID WALL PANEL	I.N.
PROJECT NUMBER					CHECKED BY
DEMO01					I.N.
DRAWING NUMBER				DRAWING NUMBER	PRESICION PRECAST DETAILING
PH-13	0	I.N.	XX/XX/XXXX	PLANT HARDWARE	
	REV.	BY	DATE		

NOTES:

1. PLATES & SHAPES – ASTM 36
2. ALL WELDING PER AWS D1.1 OR D1.4
3. REBAR – ASTM A706 GR 60



DESCRIPTION	FINISH	REMARKS
PL 1x6x0'-7" w/ 4) 1/2"∅x1'-6" DBA	GALV.	D27

SCALE	PROJECT:			DRAWN BY
2" = 1'-0"	ARCHITECTURAL SOLID WALL PANEL			I.N.
PROJECT NUMBER				CHECKED BY
DEMO01				I.N.
DRAWING NUMBER	DRAWING NUMBER			PRESICION PRECAST DETAILING
PH-14	0	I.N.	XX/XX/XXXX	
REV.	BY	DATE		