

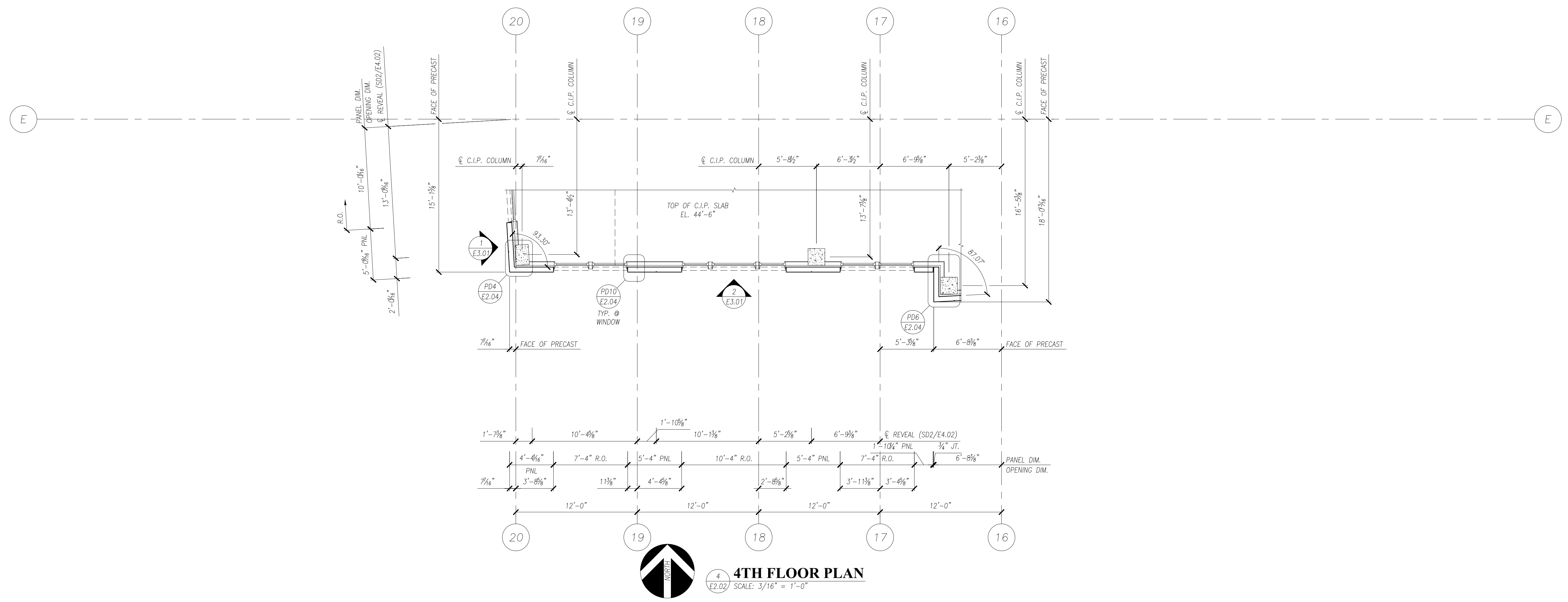
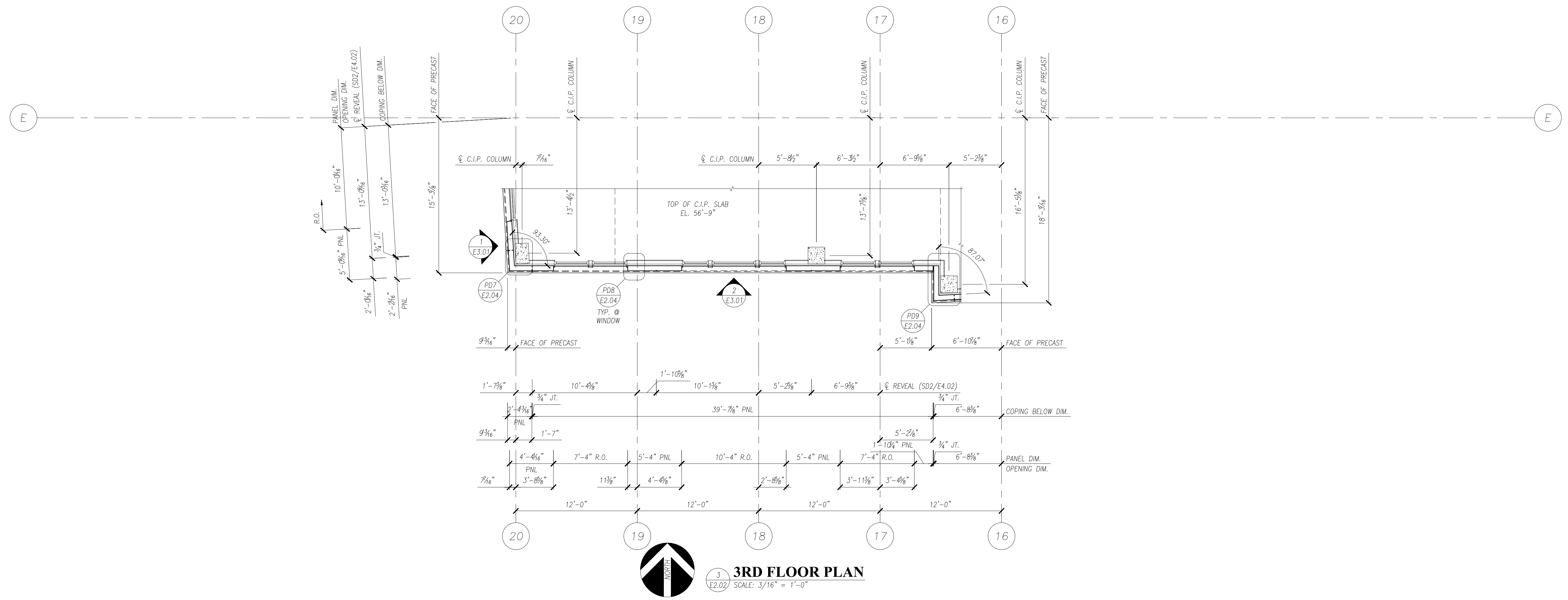
PRECISION
PRECAST DETAILING

NOTES:
 1. SEE KEY PLAN FOR NOMENCLATURE USED ON THESE DRAWINGS.
 2. THESE DRAWINGS WERE PREPARED FROM INFORMATION CONTAINED WITHIN SOURCE DRAWINGS PROVIDED BY THE GENERAL CONTRACTOR OR HIS DESIGNER. PRECISIO PRECAST IS NOT RESPONSIBLE FOR ERRORS OR OMISSIONS DUE TO LACK OF SOURCE DRAWING COMPLETENESS.
 3. PROPRIETARY NOTICE: THIS UNPUBLISHED DRAWING AND ITS CONTENTS ARE THE PROPERTY OF PRECISIO PRECAST DETAILING AND EMBODY CONFIDENTIAL AND PROPRIETARY RIGHTS, INCLUDING COPYRIGHTS, OWNED BY PRECISIO PRECAST DETAILING. THE DRAWING AND ITS CONTENT MAY NOT BE USED OR REPRODUCED, IN WHOLE OR IN PART, WITHOUT THE PRIOR WRITTEN PERMISSION OF PRECISIO PRECAST DETAILING.

PROJECT:	ARCHITECTURAL SOLID WALL PANEL
LOCATION:	UNDEFINED
CONTRACTOR:	UNDEFINED
DRAWING TITLE:	1ST & 2ND FLOOR PLANS

ISSUED FOR APPROVAL	NO.	BY	DATE
0			

DRAWN BY	CHECKED BY
I.N.	I.N.
PROJECT NUMBER	
DEMO01	
DRAWING NUMBER	
E2.01	



PRECISION
PRECAST DETAILING

NOTES:
 1. SEE KEY PLAN FOR NOMENCLATURE USED ON THESE DRAWINGS.
 2. THESE DRAWINGS WERE PREPARED FROM INFORMATION CONTAINED WITHIN SOURCE DRAWINGS PROVIDED BY THE GENERAL CONTRACTOR OR HIS DESIGNER. PRECISIO PRECAST IS NOT RESPONSIBLE FOR ERRORS OR OMISSIONS DUE TO LACK OF SOURCE DRAWING COMPLETENESS.
 3. PROPRIETARY NOTICE: THIS UNPUBLISHED DRAWING AND ITS CONTENTS ARE THE PROPERTY OF PRECISIO PRECAST DETAILING AND EMBODY CONFIDENTIAL AND PROPRIETARY RIGHTS, INCLUDING COPYRIGHTS, OWNED BY PRECISIO PRECAST DETAILING. THE DRAWING AND ITS CONTENT MAY NOT BE USED OR REPRODUCED, IN WHOLE OR IN PART, WITHOUT THE PRIOR WRITTEN PERMISSION OF PRECISIO PRECAST DETAILING.

ARCHITECTURAL SOLID WALL PANEL
UNDEFINED
UNDEFINED
3RD & 4TH FLOOR PLANS

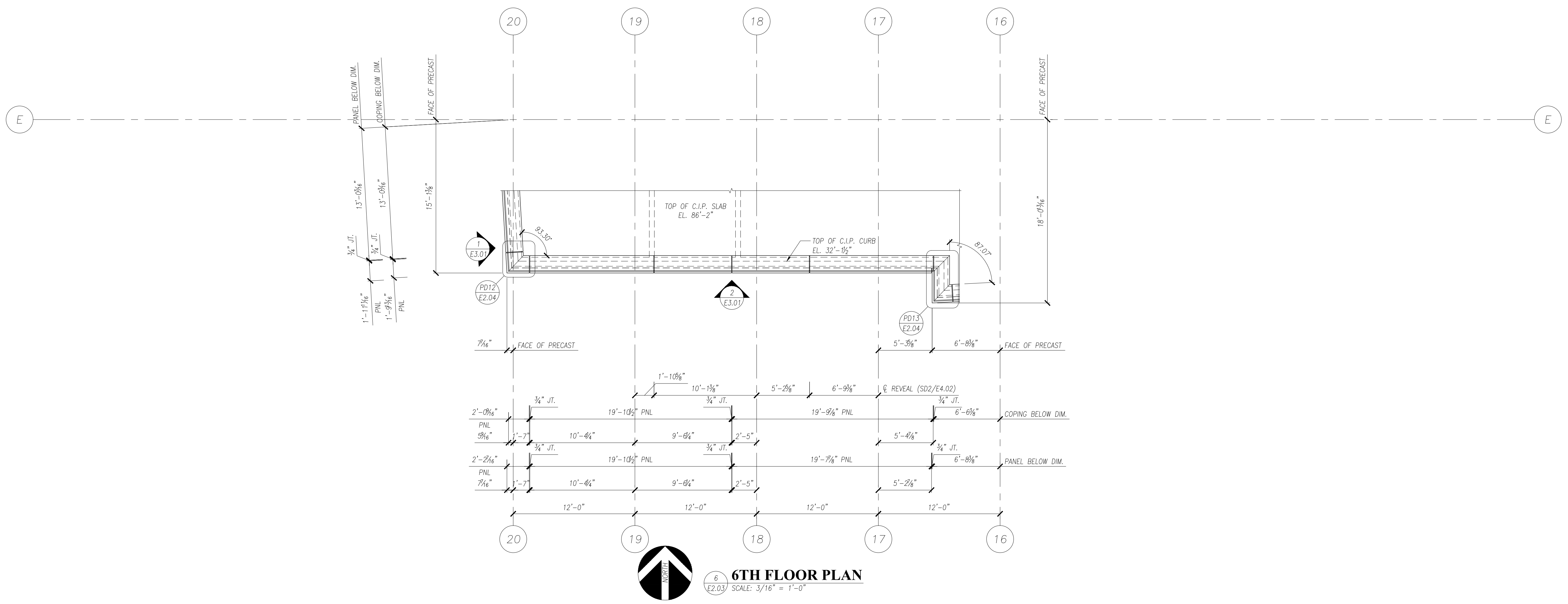
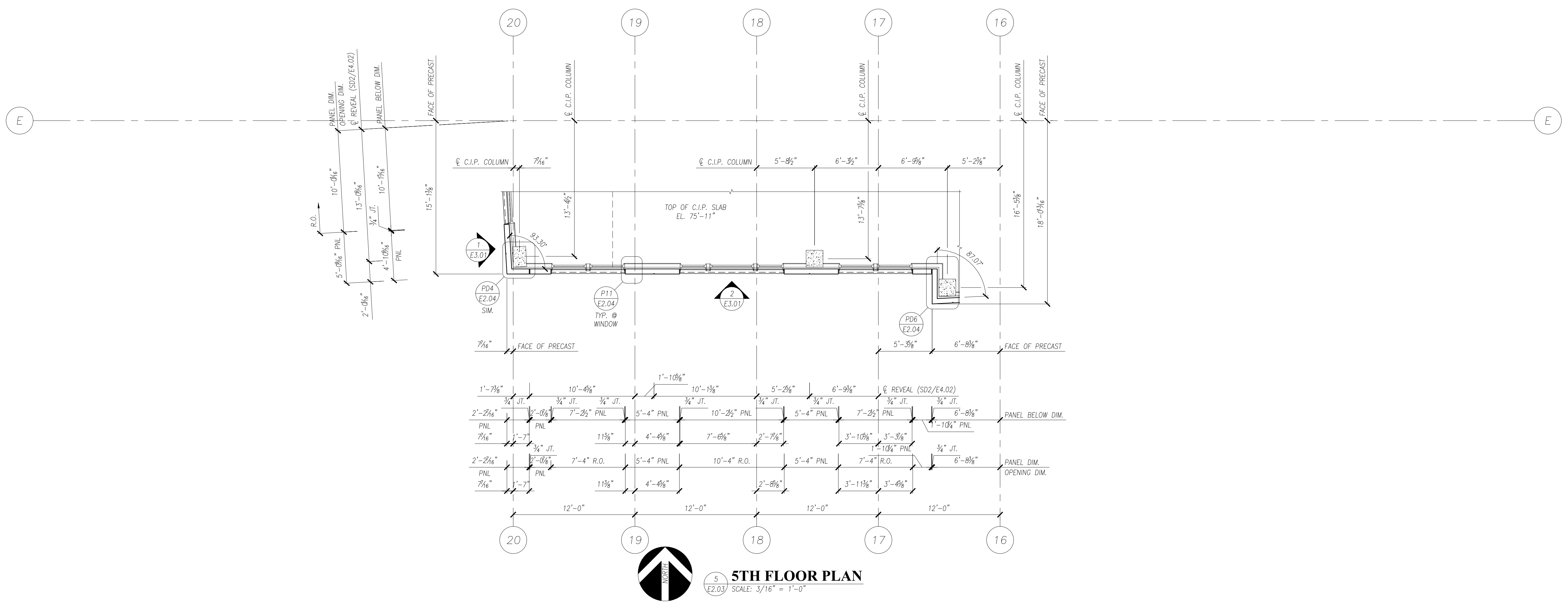
PROJECT:	
LOCATION:	
CONTRACTOR:	
DRAWING TITLE:	
ISSUED FOR APPROVAL	NO.
BY	DATE
IN.	XXXXXX
CHECKED BY	
PROJECT NUMBER	
DEMO01	
DRAWING NUMBER	
E2.02	

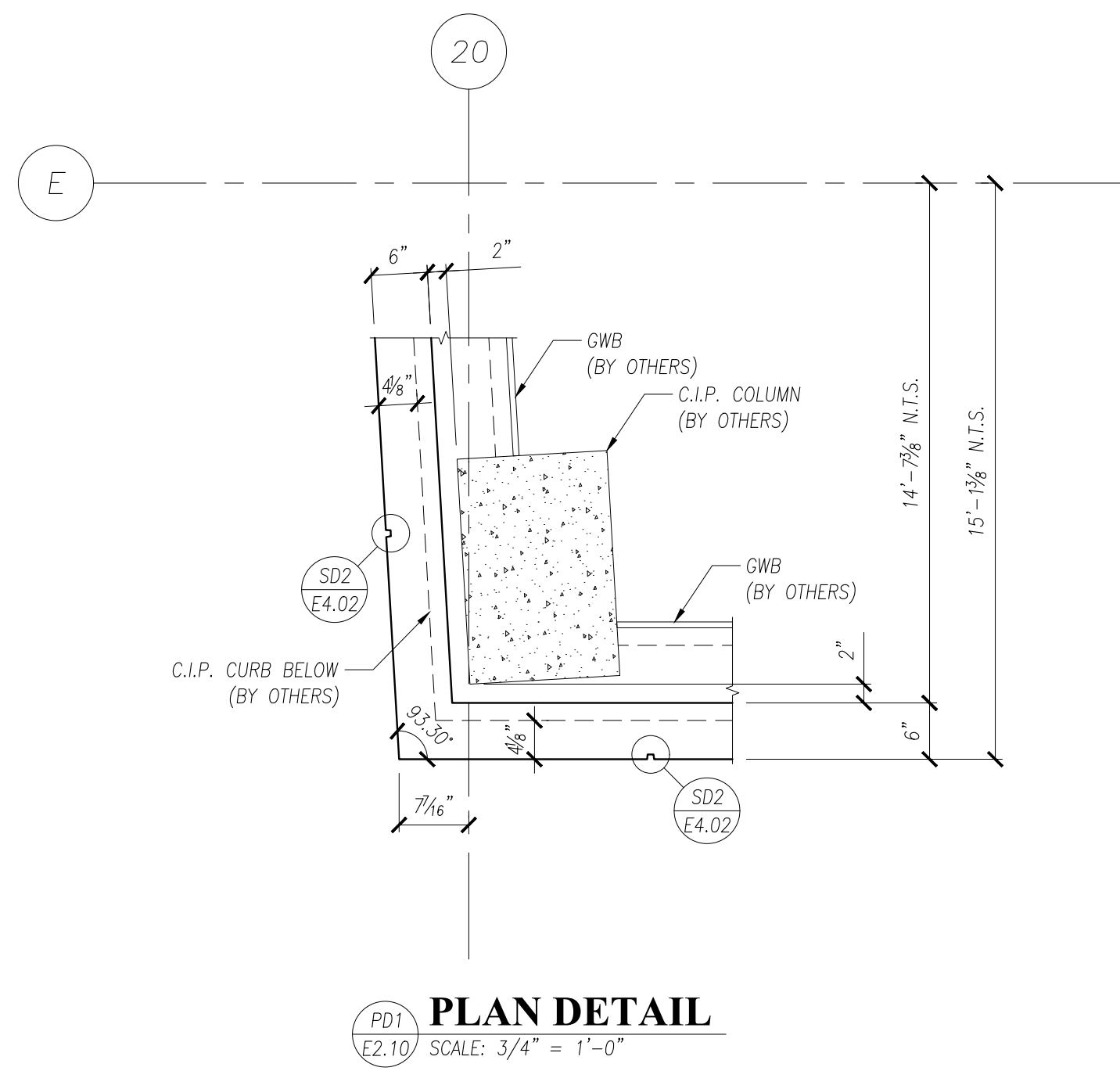
NOTES:
 1. SEE KEY PLAN FOR NOMENCLATURE USED ON THESE DRAWINGS.
 2. THESE DRAWINGS WERE PREPARED FROM INFORMATION CONTAINED WITHIN SOURCE DRAWINGS PROVIDED BY THE GENERAL CONTRACTOR OR HIS DESIGNER. PRECISIO PRECAST IS NOT RESPONSIBLE FOR ERRORS OR OMISSIONS DUE TO LACK OF SOURCE DRAWING COMPLETENESS.
 3. PROPRIETARY NOTICE: THIS UNPUBLISHED DRAWING AND ITS CONTENTS ARE THE PROPERTY OF PRECISIO PRECAST DETAILING AND EMBODY CONFIDENTIAL AND PROPRIETARY RIGHTS, INCLUDING COPYRIGHTS, OWNED BY PRECISIO PRECAST DETAILING. THE DRAWING AND ITS CONTENT MAY NOT BE USED OR REPRODUCED, IN WHOLE OR IN PART, WITHOUT THE PRIOR WRITTEN PERMISSION OF PRECISIO PRECAST DETAILING.

ARCHITECTURAL SOLID WALL PANEL
UNDEFINED
UNDEFINED
5TH & 6TH FLOOR PLANS

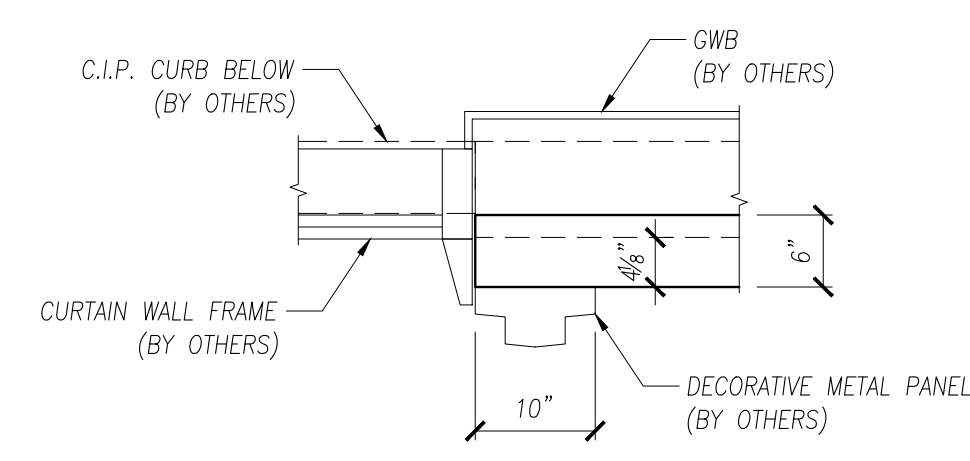
PROJECT:	
LOCATION:	
CONTRACTOR:	
DRAWING TITLE:	
ISSUED FOR APPROVAL	NO.
BY	DATE
I.N.	XXXXXX
I.N.	

DRAWN BY	CHECKED BY
I.N.	I.N.
PROJECT NUMBER	
DEMO01	
DRAWING NUMBER	
E2.03	

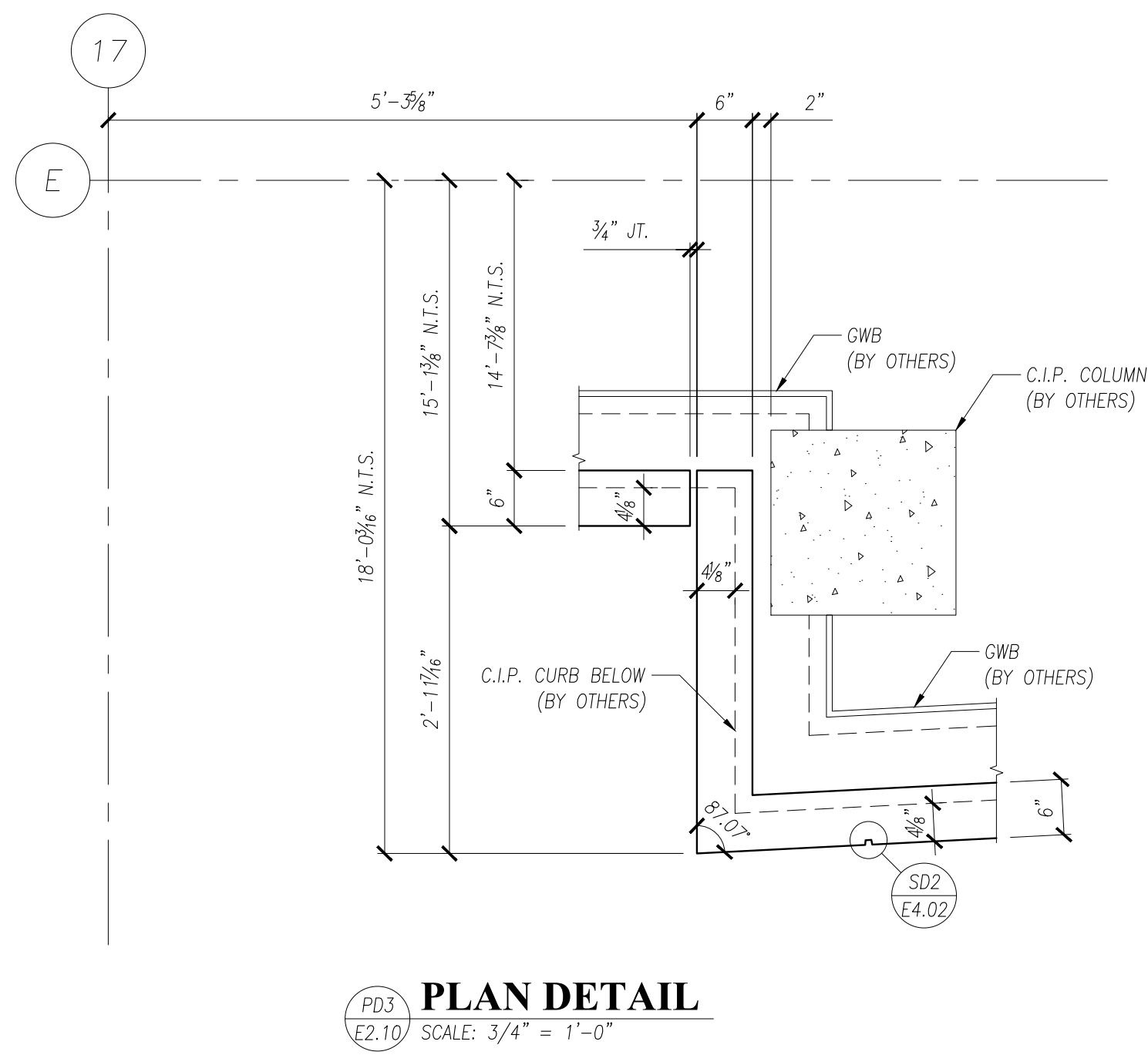




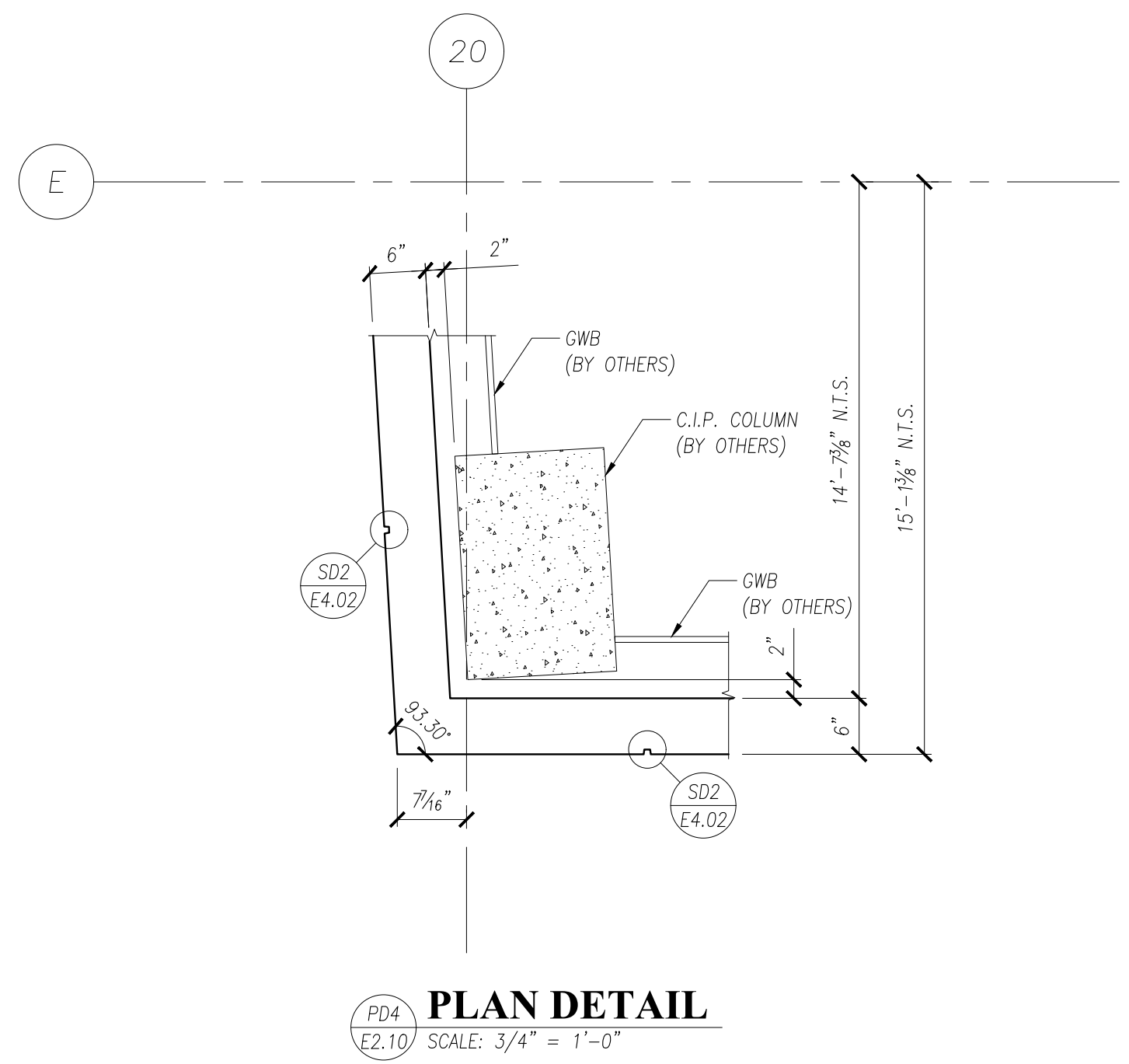
PD1
E2.10 SCALE: 3/4" = 1'-0"



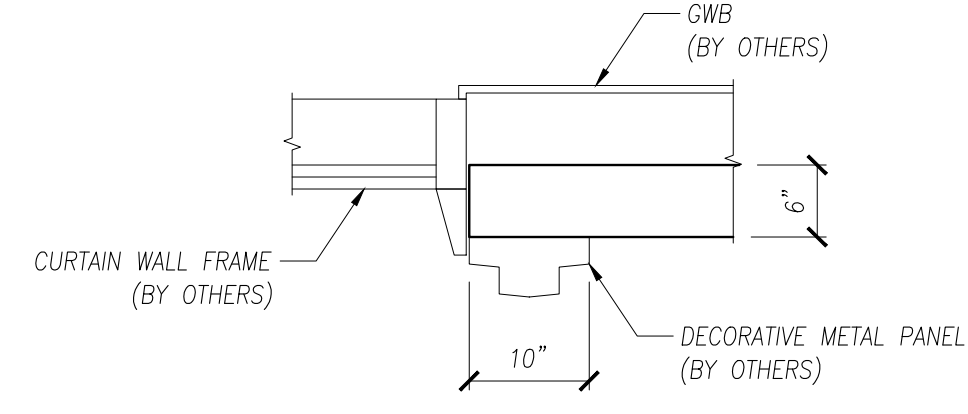
PD2
E2.10 SCALE: 3/4" = 1'-0"



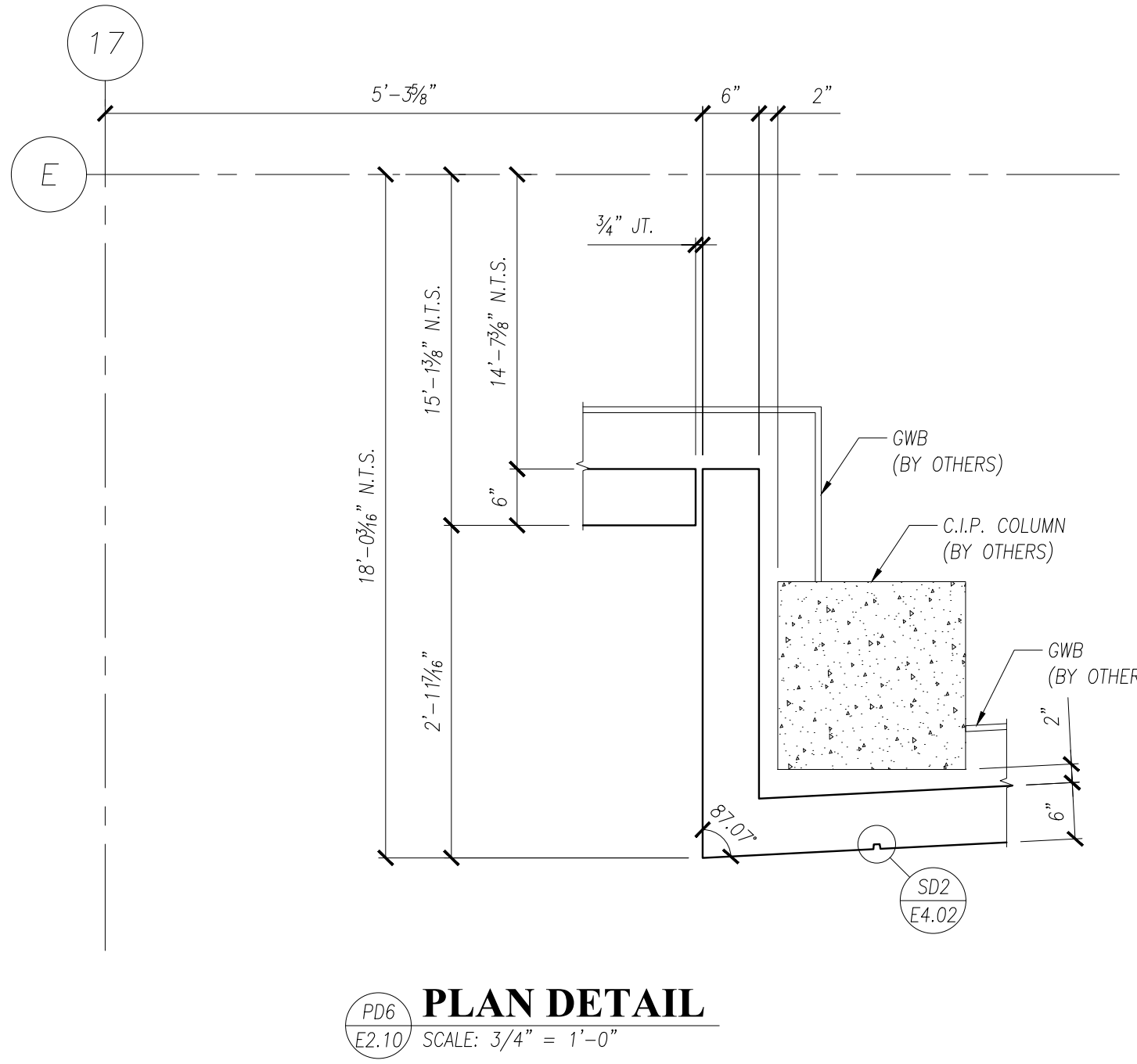
PD3
E2.10 SCALE: 3/4" = 1'-0"



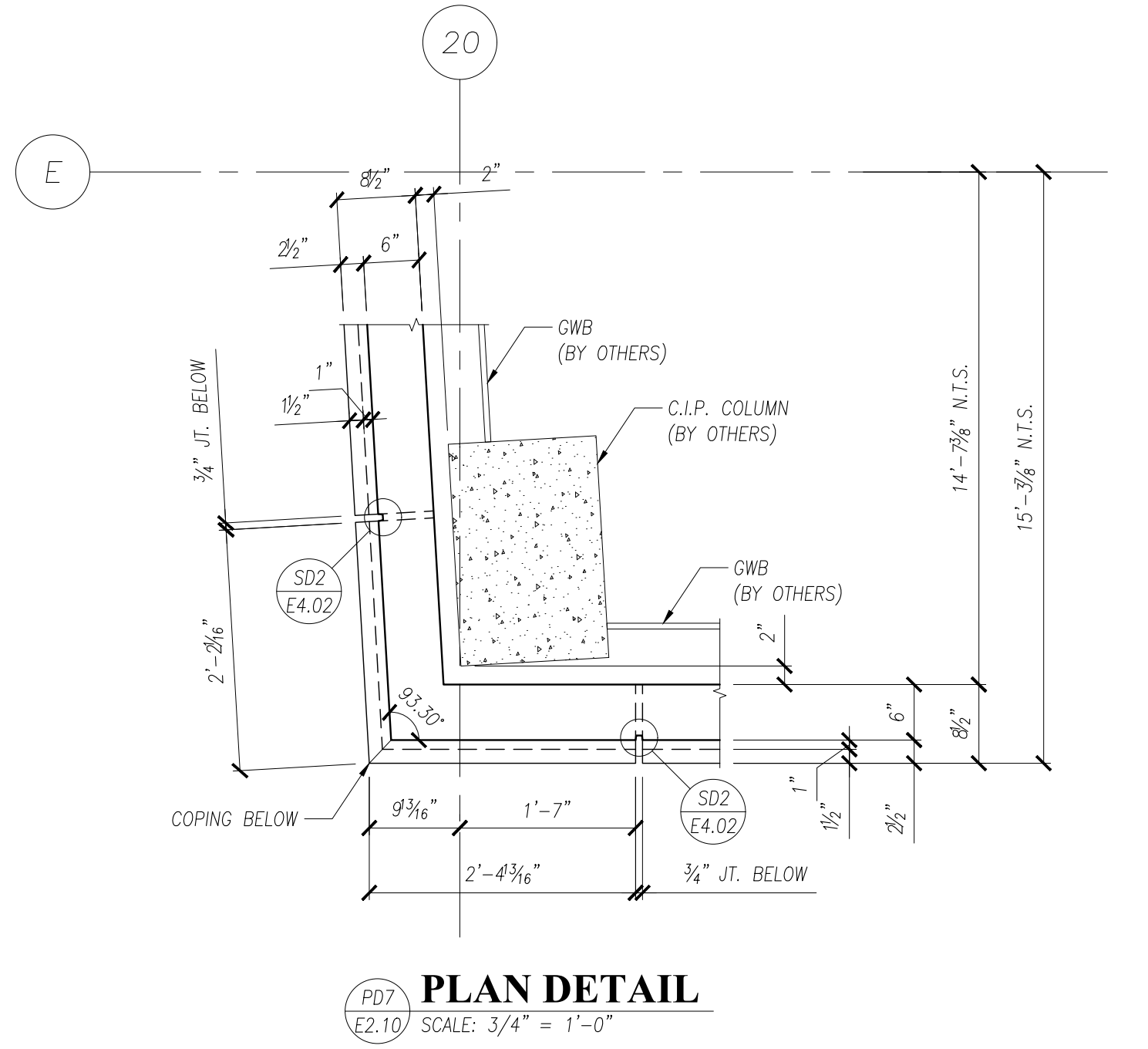
PD4
E2.10 SCALE: 3/4" = 1'-0"



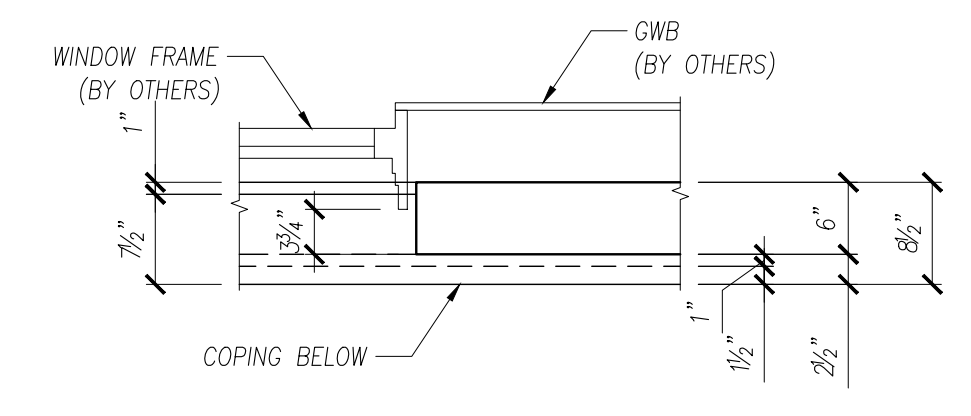
PD5
E2.10 SCALE: 3/4" = 1'-0"



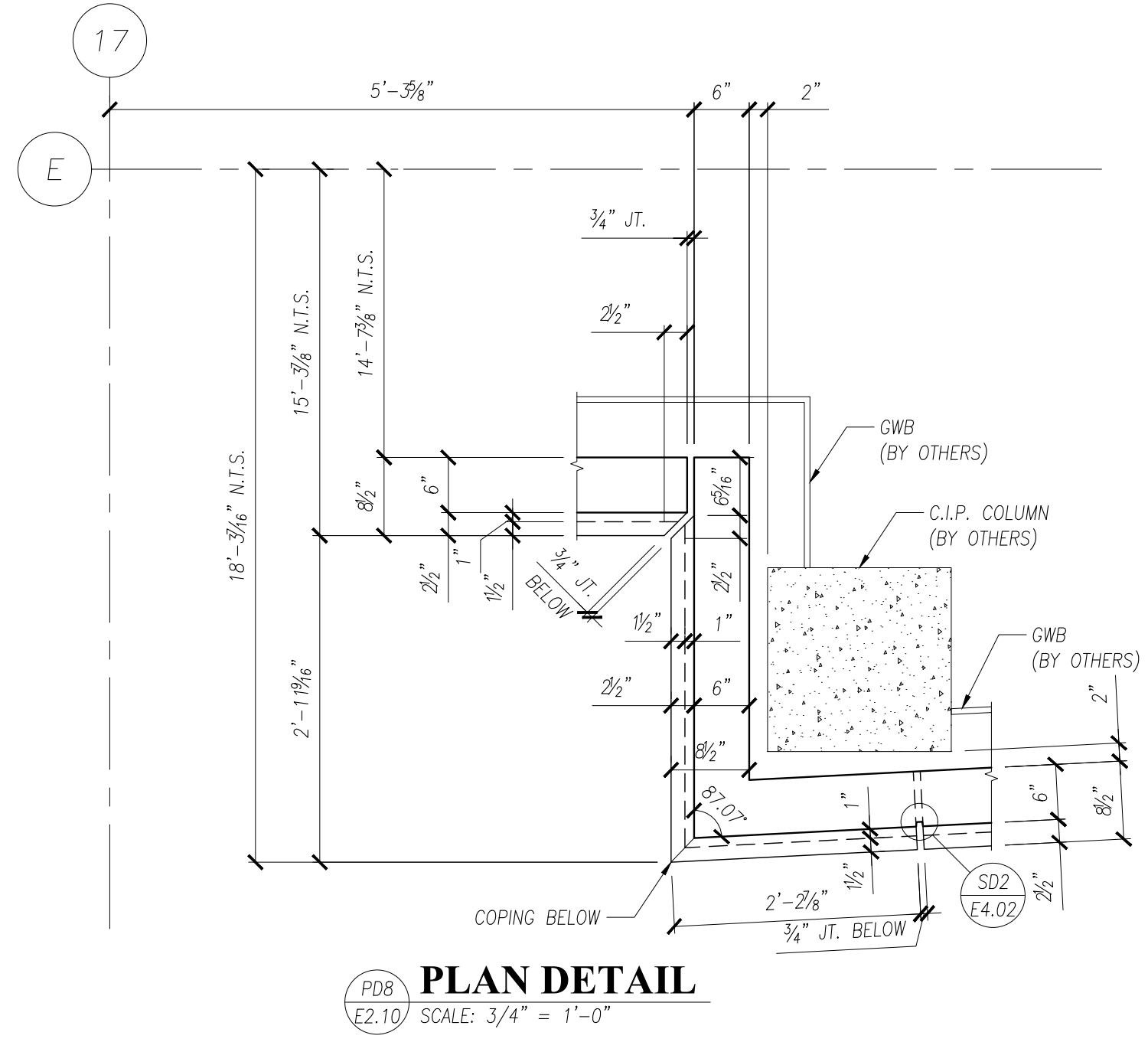
PD6
E2.10 SCALE: 3/4" = 1'-0"



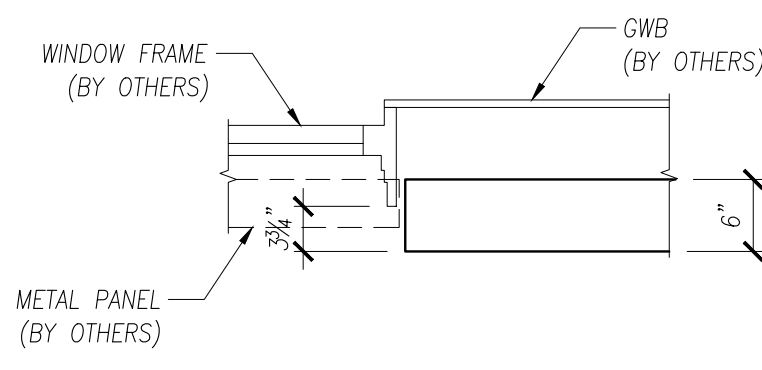
PD7
E2.10 SCALE: 3/4" = 1'-0"



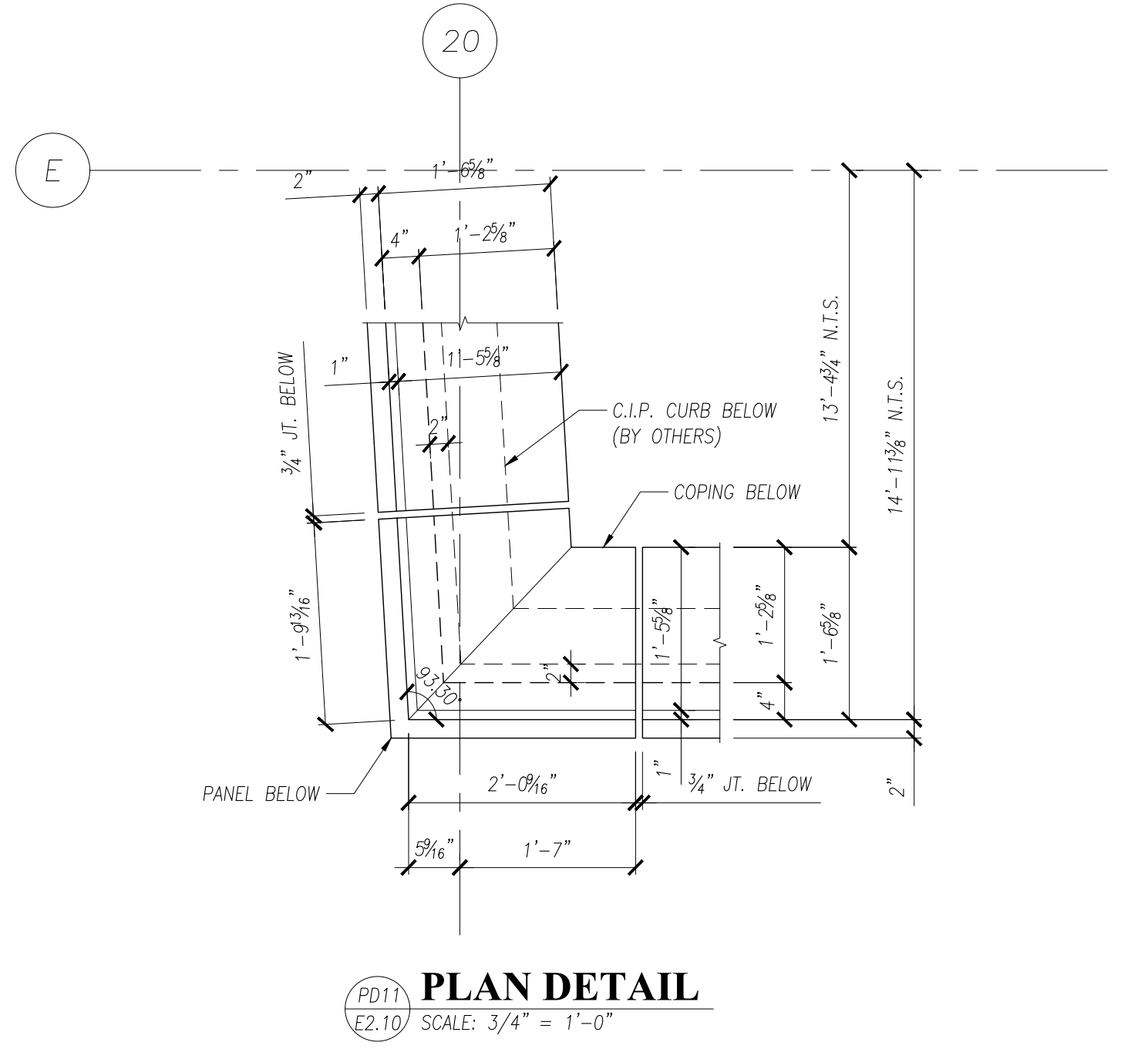
PD8
E2.10 SCALE: 3/4" = 1'-0"



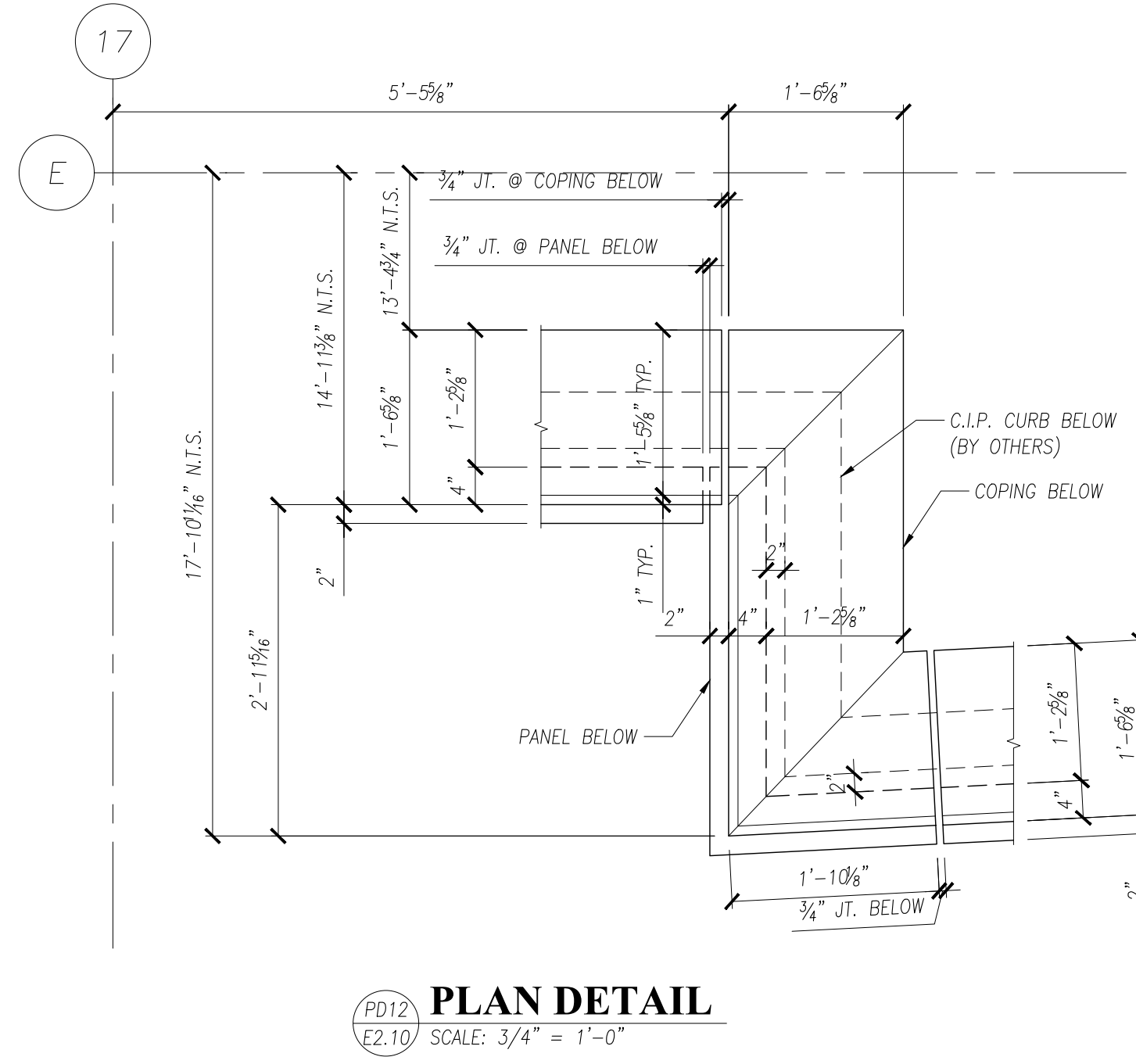
PD8
E2.10 SCALE: 3/4" = 1'-0"



PD10
E2.10 SCALE: 3/4" = 1'-0"



PD11
E2.10 SCALE: 3/4" = 1'-0"



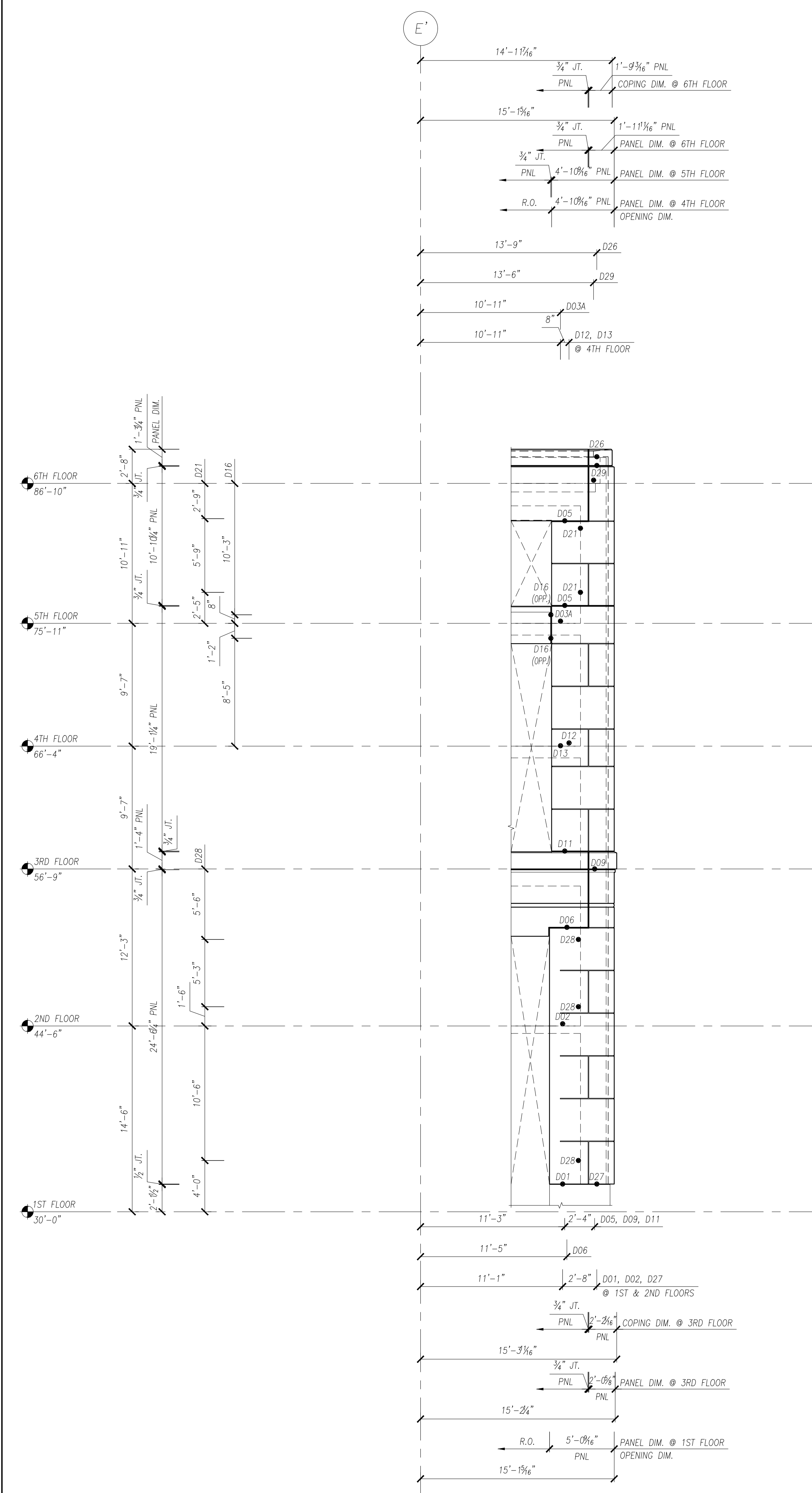
PD12
E2.10 SCALE: 3/4" = 1'-0"

PRECISION
PRECAST DETAILING

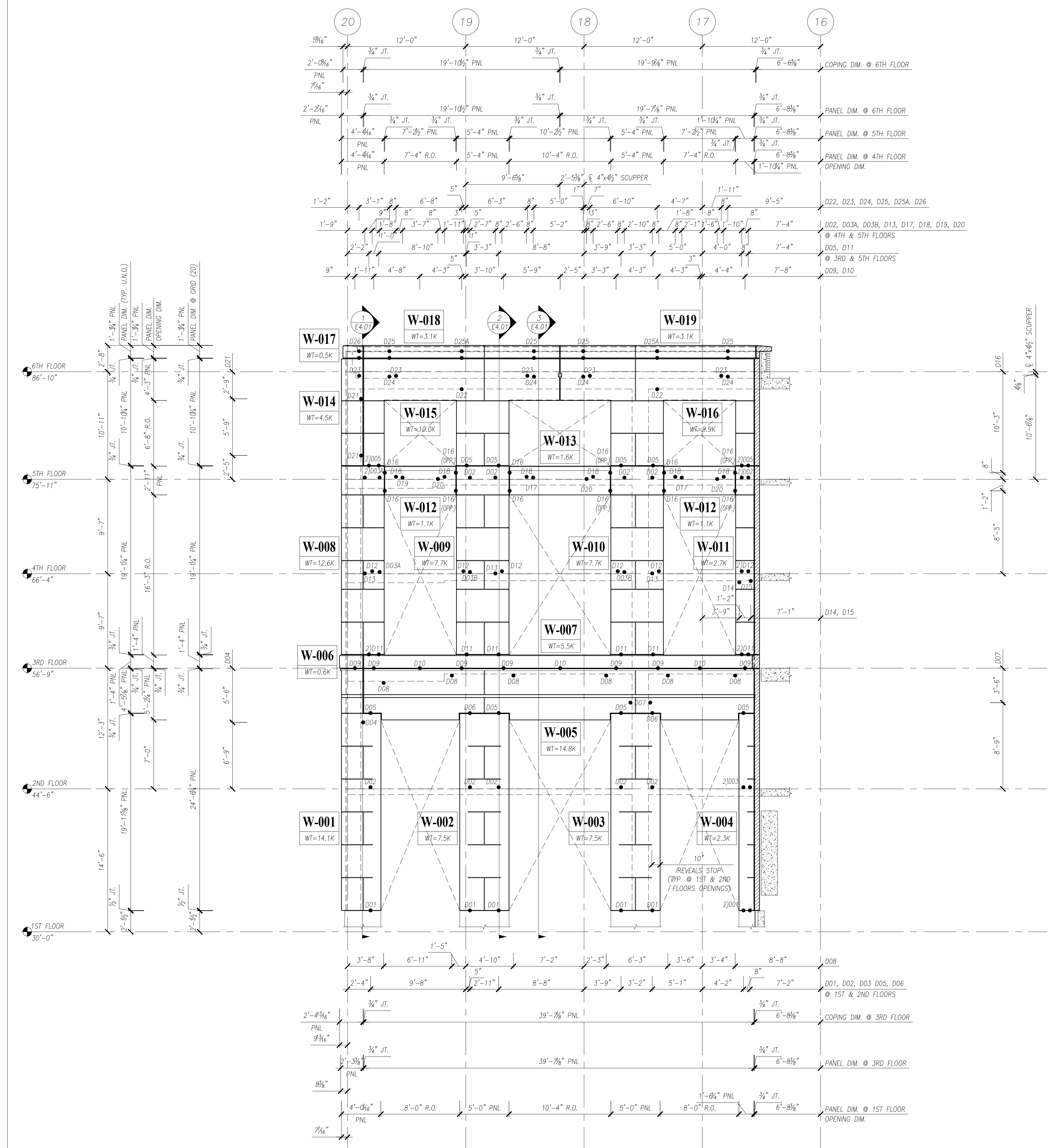
NOTES:
1. SEE KEY PLAN FOR NOMENCLATURE USED ON THESE DRAWINGS.
2. THESE DRAWINGS WERE PREPARED FROM INFORMATION CONTAINED WITHIN SOURCE DRAWINGS PROVIDED BY THE GENERAL CONTRACTOR OR HIS DESIGNER. PRECISIO PRECAST IS NOT RESPONSIBLE FOR ERRORS OR OMISSIONS DUE TO LACK OF SOURCE DRAWING COMPLETENESS.
3. PROPRIETARY NOTICE: THIS UNFINISHED DRAWING AND ITS CONTENTS ARE THE PROPERTY OF PRECISIO PRECAST DETAILING AND EMBODY CONFIDENTIAL AND PROPRIETARY RIGHTS, INCLUDING COPYRIGHTS, OWNED BY PRECISIO PRECAST DETAILING. THE DRAWING AND ITS CONTENT MAY NOT BE USED OR REPRODUCED, IN WHOLE OR IN PART, WITHOUT THE PRIOR WRITTEN PERMISSION OF PRECISIO PRECAST DETAILING.

ARCHITECTURAL SOLID WALL PANEL	
UNDEFINED	UNDEFINED
PLAN DETAILS	

PROJECT:	LOCATION:	CONTRACTOR:	DRAWING TITLE:
ISSUED FOR APPROVAL	IN.	DATE	
0	XXXXXXX		
REVISION	BY	DATE	
DRAWN BY	CHECKED BY		
I.N.	I.N.		
PROJECT NUMBER			
DEMO01			
DRAWING NUMBER			
E2.10			



1 PARTIAL WEST ELEVATION
 (E3.01) LOOKING EAST ALONG GRIDLINE (20) (PARALLEL TO FACE OF PANELS)
 SCALE: 3/16" = 1'-0"



2 PARTIAL SOUTH ELEVATION
 (E3.01) LOOKING NORTH ALONG GRIDLINE (E)
 SCALE: 3/16" = 1'-0"

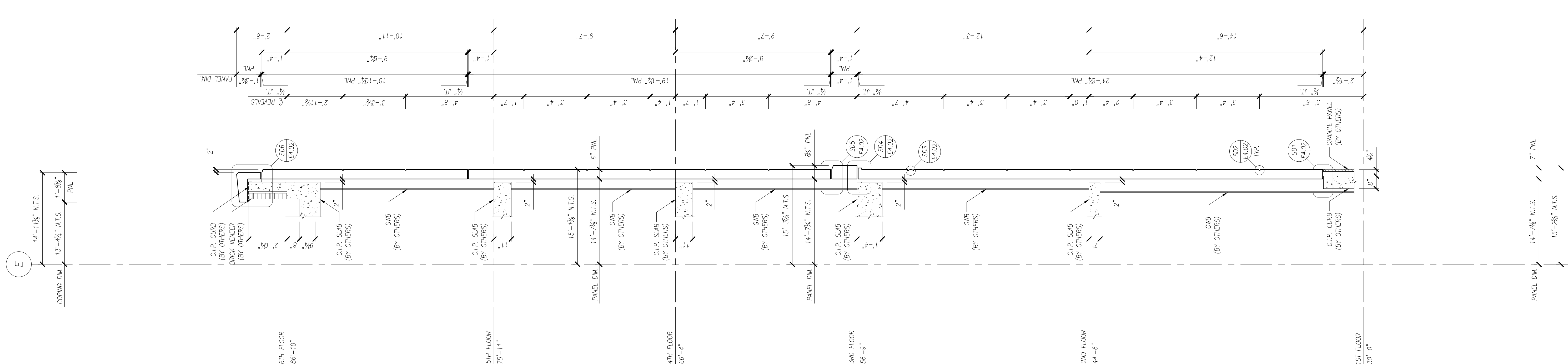
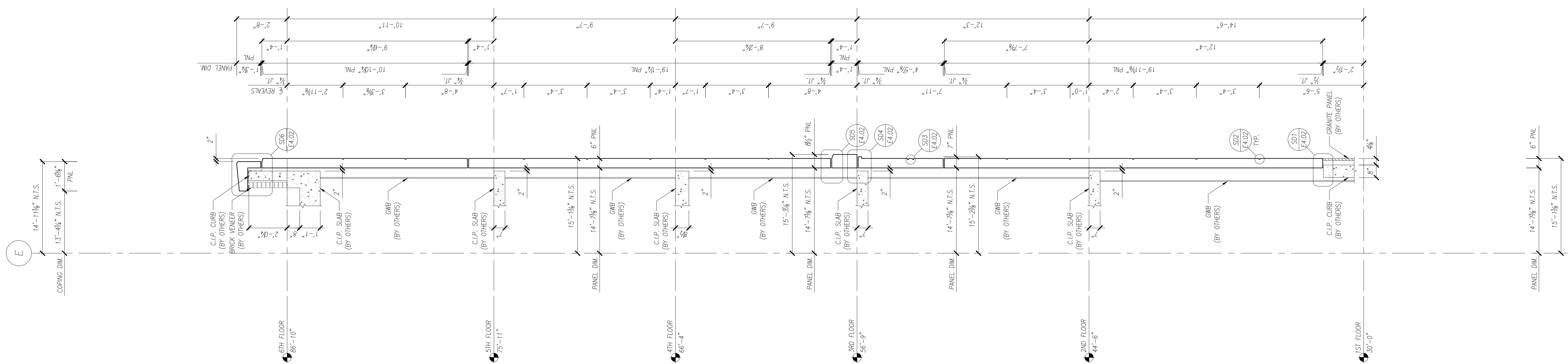
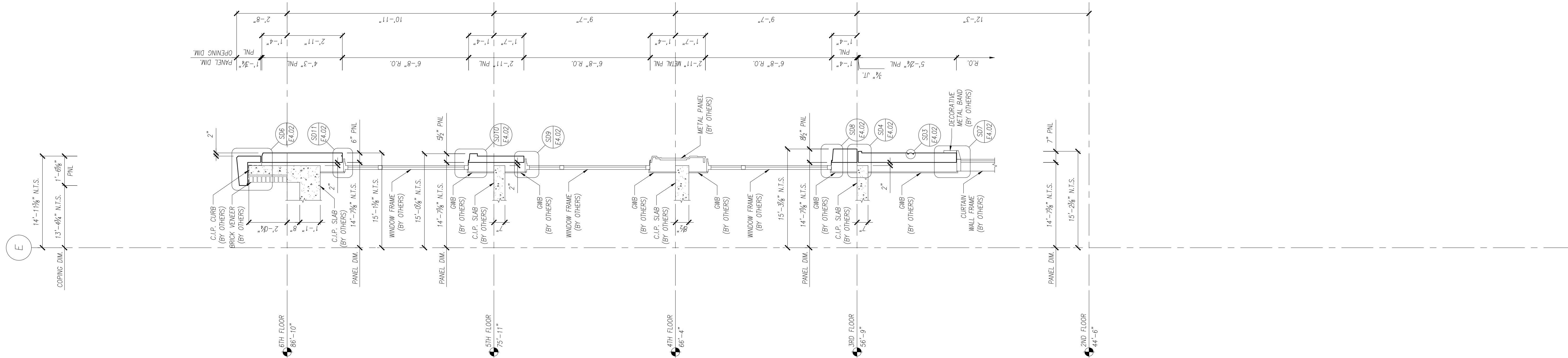
PRECISION
 PRECAST DETAILING

NOTES:
 1. SEE KEY PLAN FOR NOMENCLATURE USED ON THESE DRAWINGS.
 2. THESE DRAWINGS WERE PREPARED FROM INFORMATION CONTAINED WITHIN SOURCE DRAWINGS PROVIDED BY THE GENERAL CONTRACTOR OR HIS DESIGNEE. PRECASTER PRECAST IS NOT RESPONSIBLE FOR ERRORS OR OMISSIONS DUE TO LACK OF SOURCE DRAWING COMPLETENESS.
 3. PROPRIETARY NOTICE: THIS UNFINISHED DRAWING AND ITS CONTENTS ARE THE PROPERTY OF PRECISION PRECAST DETAILING AND EMBODY CONFIDENTIAL AND PROPRIETARY RIGHTS, INCLUDING COPYRIGHTS, OWNED BY PRECISION PRECAST DETAILING. THE DRAWING AND ITS CONTENT MAY NOT BE USED OR REPRODUCED, IN WHOLE OR IN PART, WITHOUT THE PRIOR WRITTEN PERMISSION OF PRECISION PRECAST DETAILING.

PROJECT: ARCHITECTURAL SOLID WALL PANEL
 LOCATION: UNDEFINED
 CONTRACTOR: UNDEFINED
 DRAWING TITLE: EXTERIOR ELEVATIONS

ISSUED FOR APPROVAL	IN.	DATE	BY
0	XXXXXX		

DRAWN BY: I.N.
 CHECKED BY: I.N.
 PROJECT NUMBER: DEMO01
 DRAWING NUMBER: E3.01



SECTION 3
SCALE: 3/8" = 1'-0"

SECTION 2
SCALE: 3/8" = 1'-0"

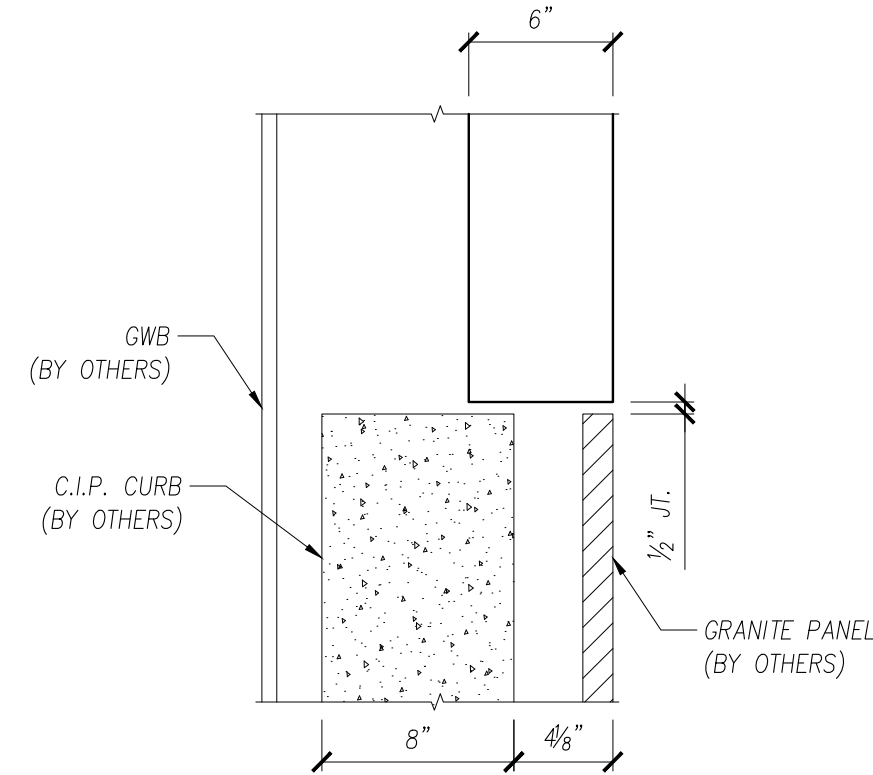
SECTION 1
SCALE: 3/8" = 1'-0"

- NOTES:
- SEE KEY PLAN FOR NOMENCLATURE USED ON THESE DRAWINGS.
 - THESE DRAWINGS WERE PREPARED FROM INFORMATION CONTAINED WITHIN SOURCE DRAWINGS PROVIDED BY THE GENERAL CONTRACTOR OR HIS DESIGNER. PRIMER PRECAST IS NOT RESPONSIBLE FOR ERRORS OR OMISSIONS DUE TO LACK OF SOURCE DRAWING COMPLETENESS.
 - PROPRIETARY NOTICE: THIS UNPUBLISHED DRAWING AND ITS CONTENTS ARE THE PROPERTY OF PRECISION PRECAST DETAILING AND EMBODY CONFIDENTIAL AND PROPRIETARY RIGHTS, INCLUDING COPYRIGHTS, OWNED BY PRECISION PRECAST DETAILING. THE DRAWING AND ITS CONTENT MAY NOT BE USED OR REPRODUCED, IN WHOLE OR IN PART, WITHOUT THE PRIOR WRITTEN PERMISSION OF PRECISION PRECAST DETAILING.

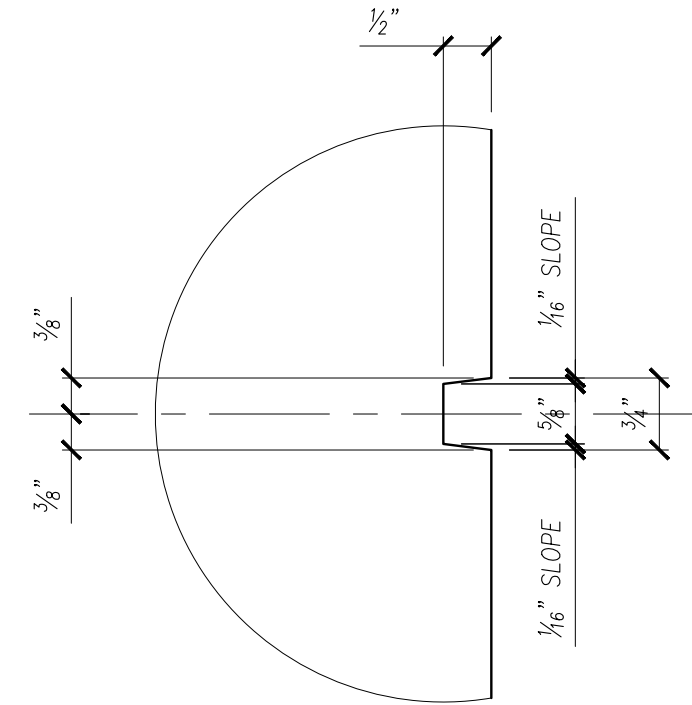
PROJECT:	ARCHITECTURAL SOLID WALL PANEL
LOCATION:	UNDEFINED
CONTRACTOR:	UNDEFINED
DRAWING TITLE:	SECTIONS

DRAWN BY	CHECKED BY	NO.	REVISION	BY	DATE
I.N.	I.N.	0			XXXXXX

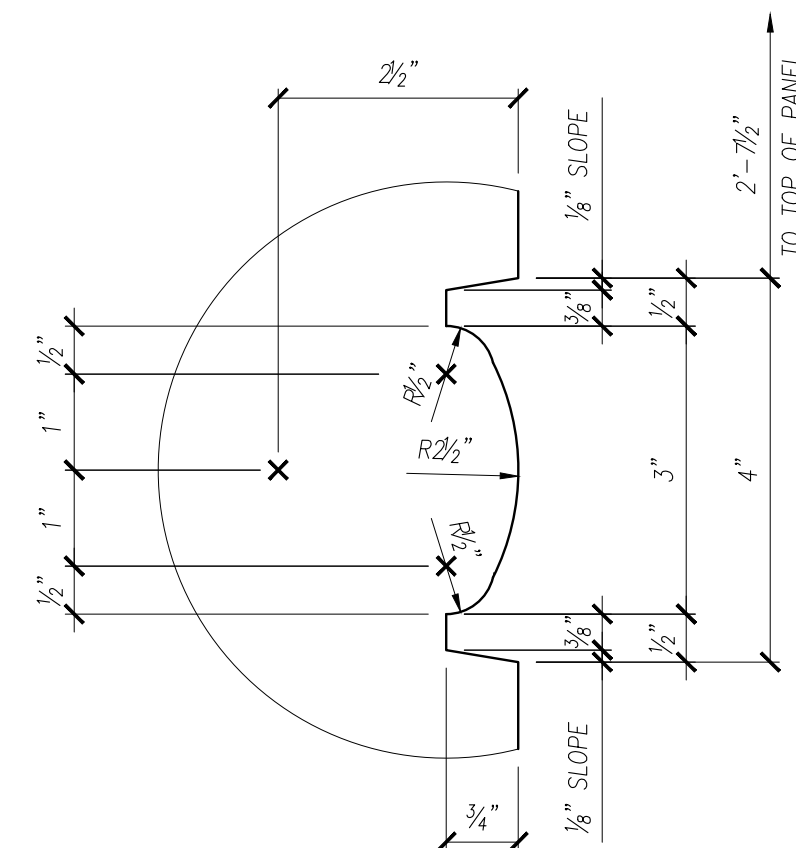
PROJECT NUMBER	DEMO01
DRAWING NUMBER	E4.01



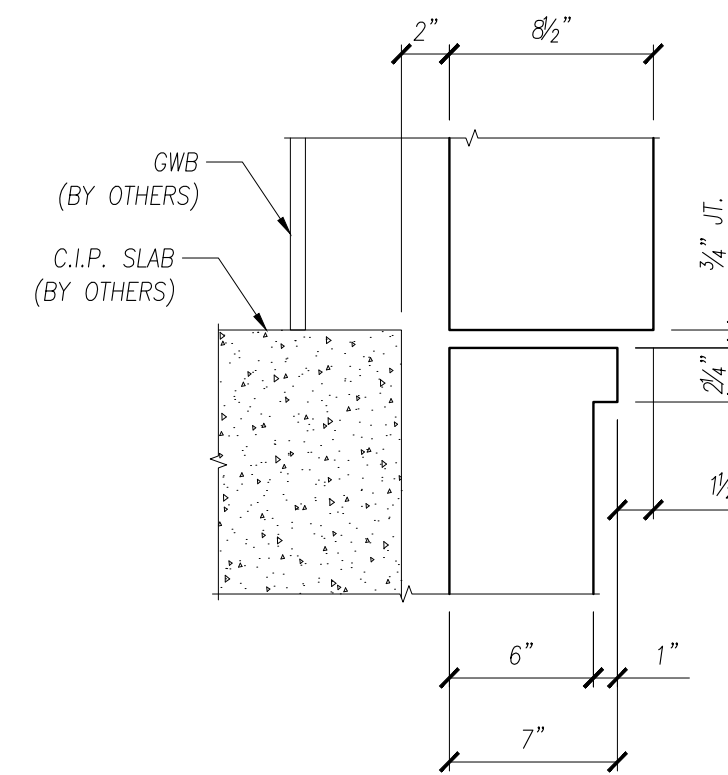
SD1 SECTION DETAIL
E4.10 SCALE: 1 1/2" = 1'-0"



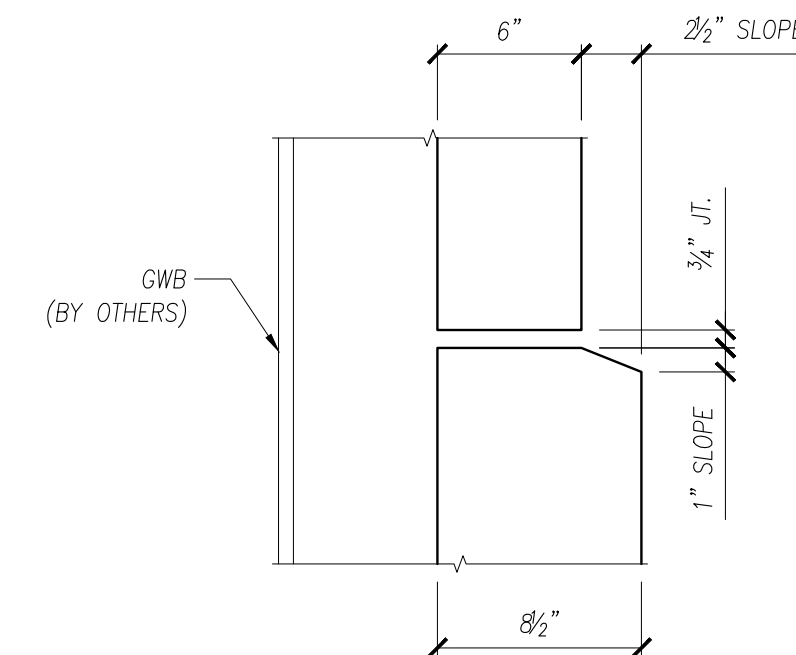
SD2 SECTION DETAIL
E4.10 SCALE: 6" = 1'-0"



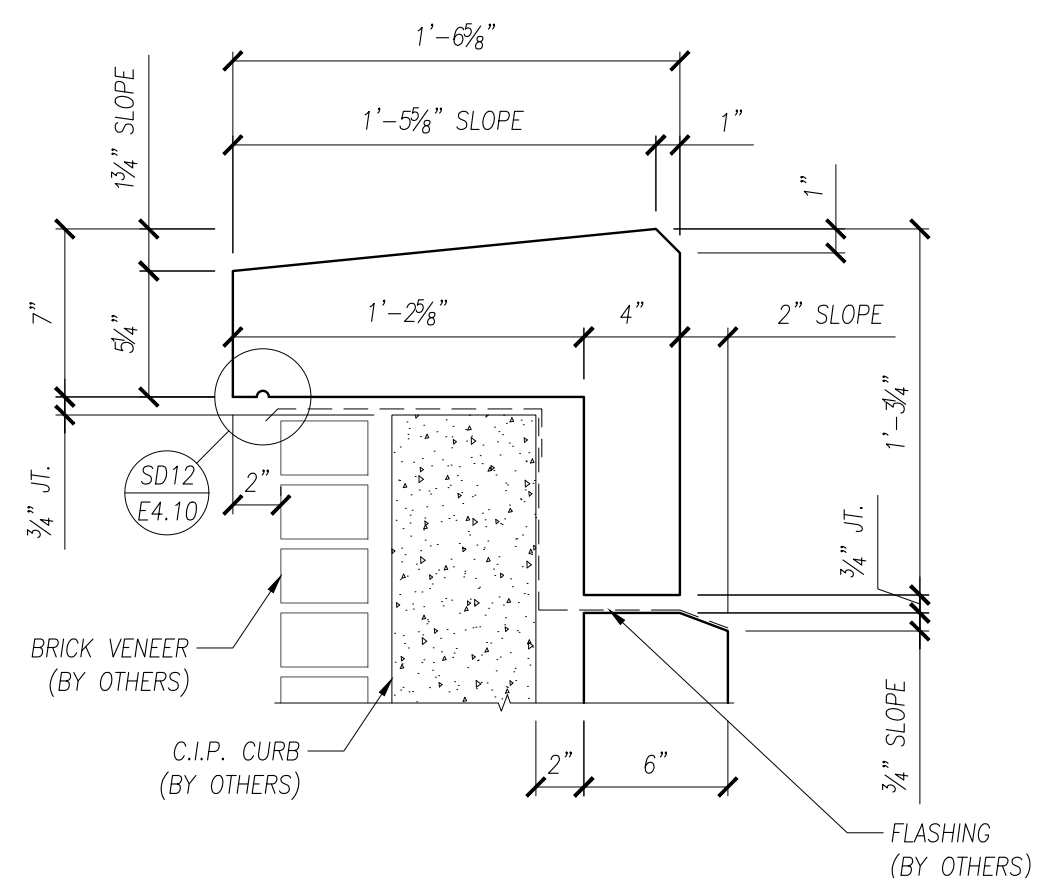
SD3 SECTION DETAIL
E4.10 SCALE: 6" = 1'-0"



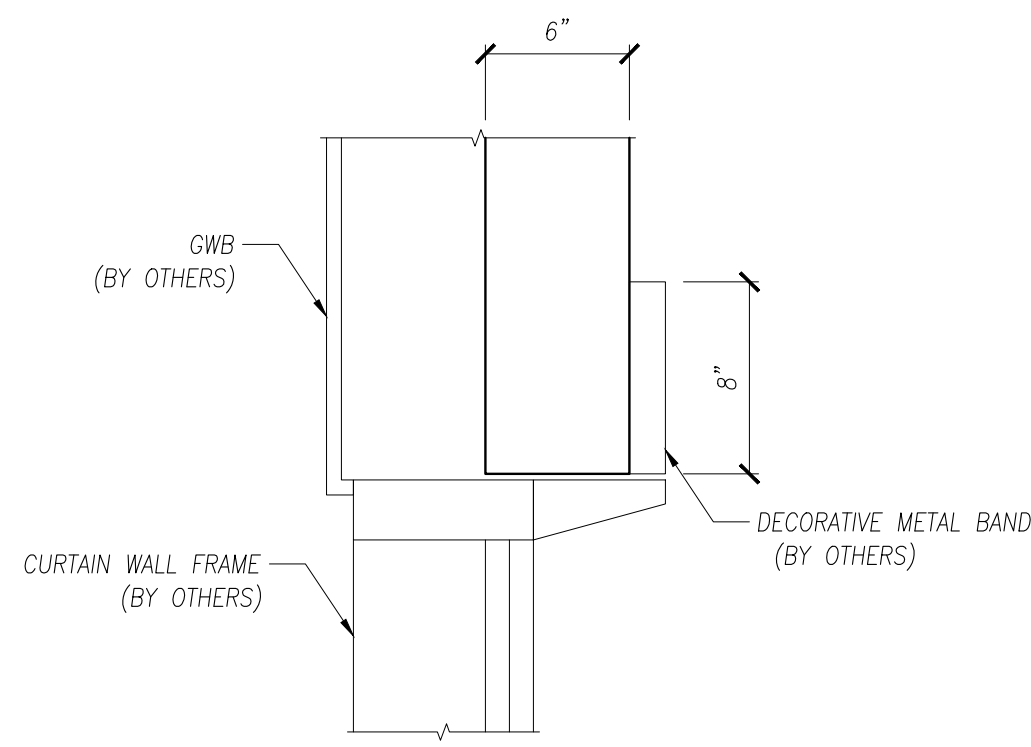
SD4 SECTION DETAIL
E4.10 SCALE: 1 1/2" = 1'-0"



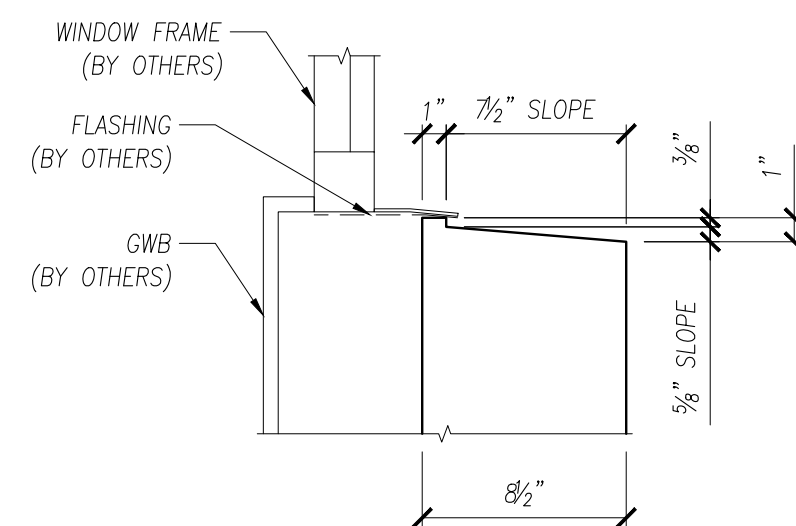
SD5 SECTION DETAIL
E4.10 SCALE: 1 1/2" = 1'-0"



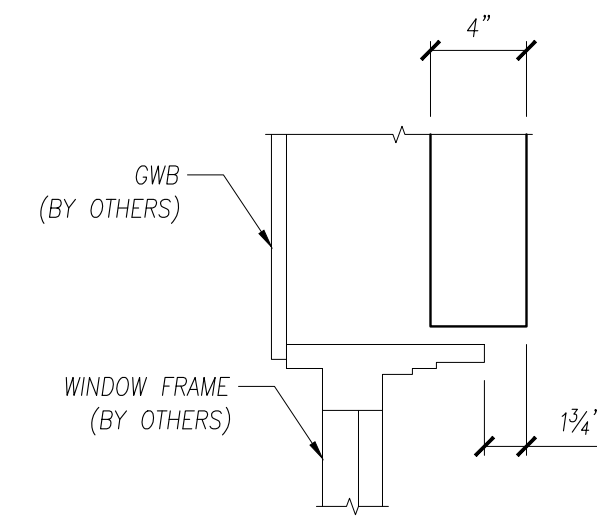
SD6 SECTION DETAIL
E4.10 SCALE: 1 1/2" = 1'-0"



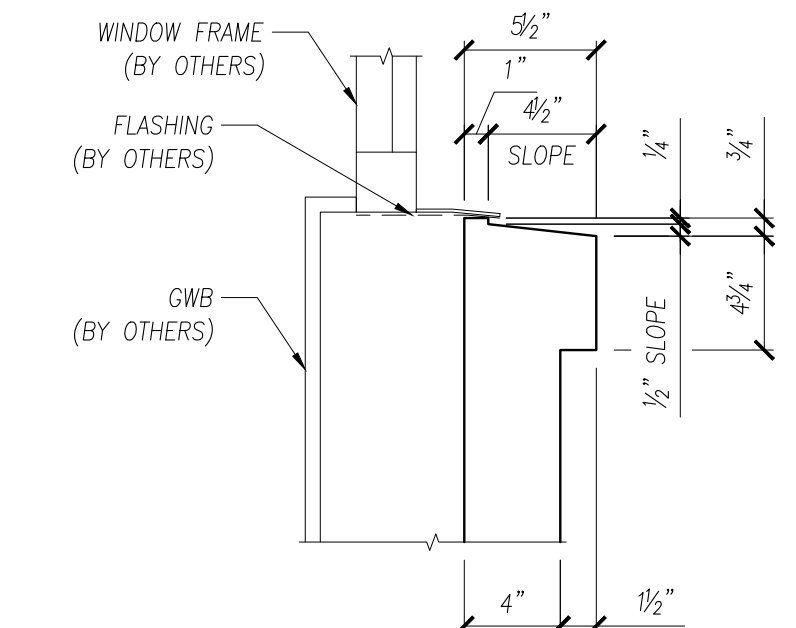
SD7 SECTION DETAIL
E4.10 SCALE: 1 1/2" = 1'-0"



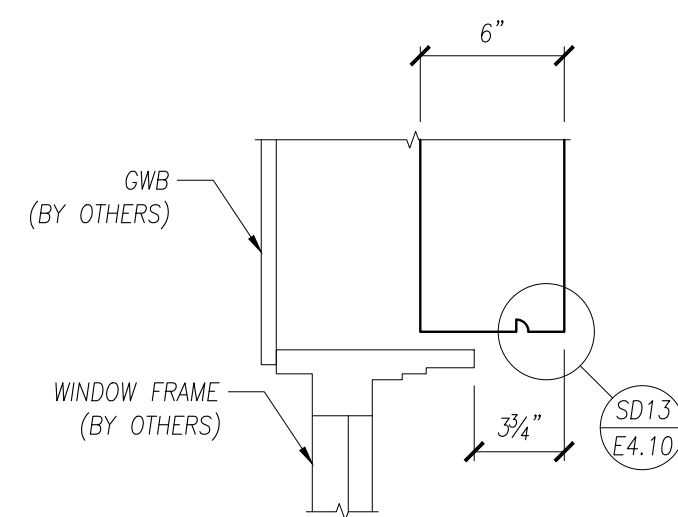
SD8 SECTION DETAIL
E4.10 SCALE: 1 1/2" = 1'-0"



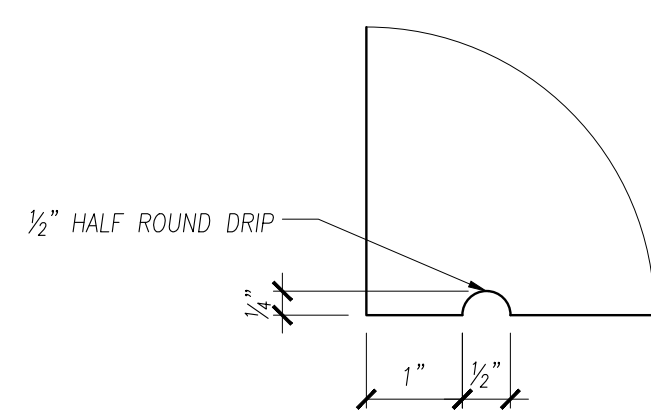
SD9 SECTION DETAIL
E4.10 SCALE: 1 1/2" = 1'-0"



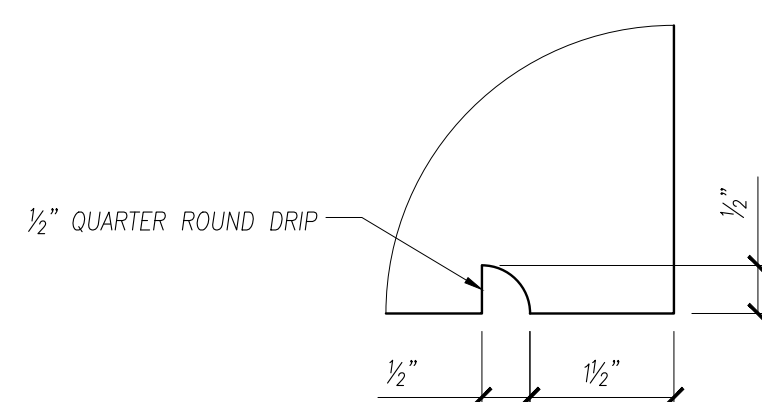
SD10 SECTION DETAIL
E4.10 SCALE: 1 1/2" = 1'-0"



SD11 SECTION DETAIL
E4.10 SCALE: 1 1/2" = 1'-0"

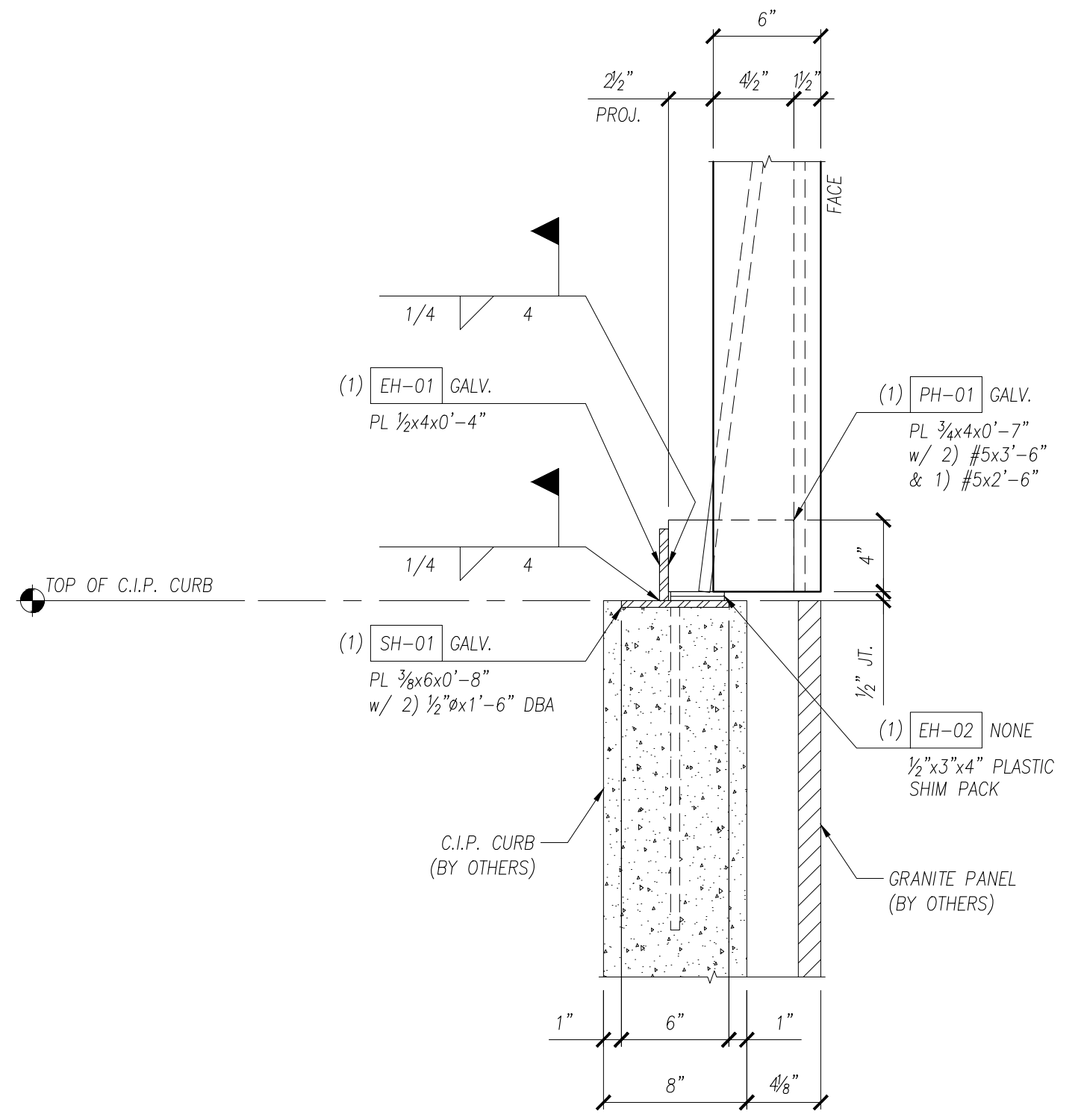


SD12 SECTION DETAIL
E4.10 SCALE: 6" = 1'-0"



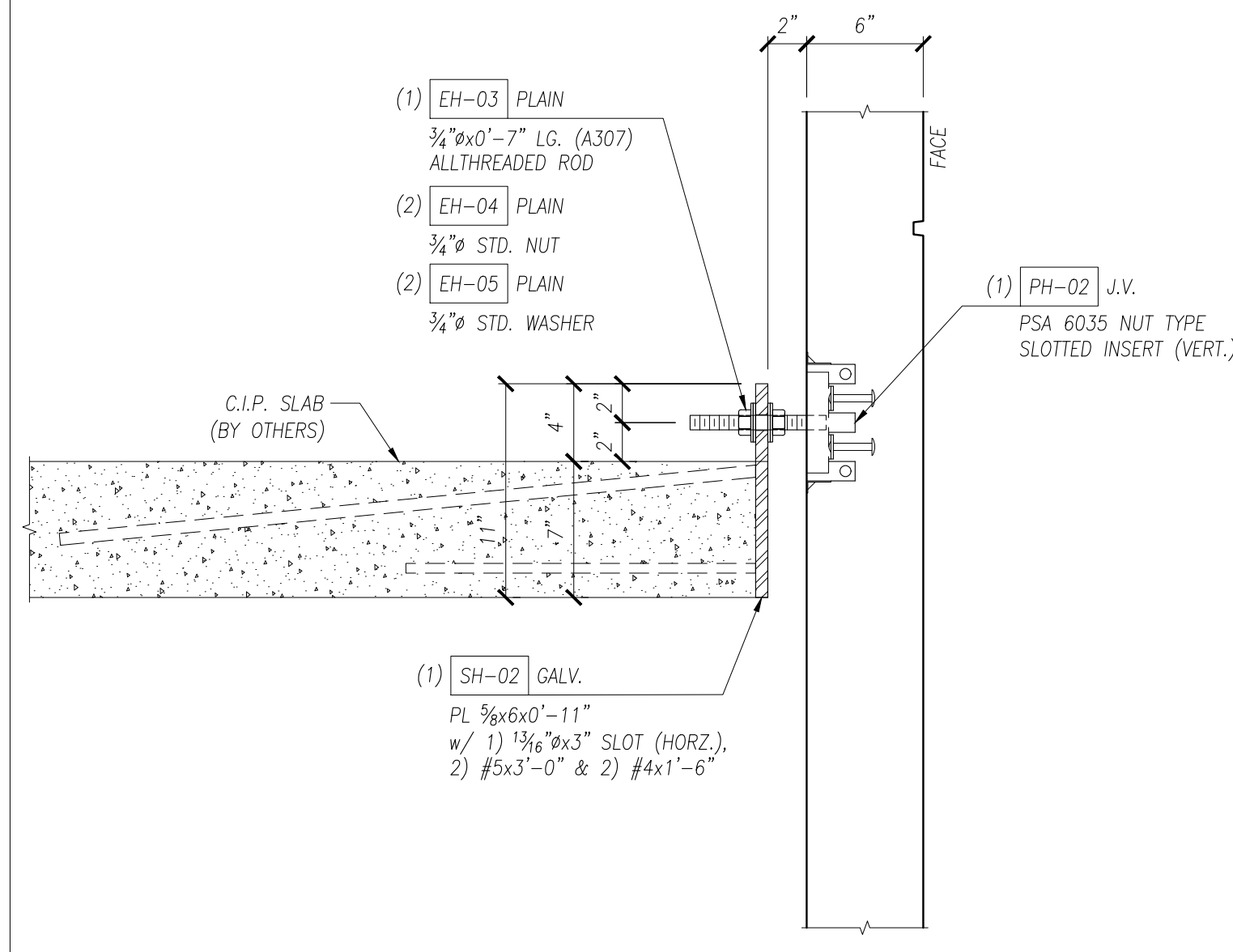
SD13 SECTION DETAIL
E4.10 SCALE: 6" = 1'-0"

<p>PRECISION PRECAST DETAILING</p> <p>NOTES: 1. SEE KEY PLAN FOR NOMENCLATURE USED ON THESE DRAWINGS. 2. THESE DRAWINGS WERE PREPARED FROM INFORMATION CONTAINED WITHIN SOURCE DRAWINGS PROVIDED BY THE GENERAL CONTRACTOR OR HIS DESIGNER. PRECASTER PRECAST IS NOT RESPONSIBLE FOR ERRORS OR OMISSIONS DUE TO LACK OF SOURCE DRAWING COMPLETENESS. 3. PROPRIETARY NOTICE: THIS UNPUBLISHED DRAWING AND ITS CONTENTS ARE THE PROPERTY OF PRECISION PRECAST DETAILING AND EMBODY CONFIDENTIAL AND PROPRIETARY RIGHTS, INCLUDING COPYRIGHTS, OWNED BY PRECISION PRECAST DETAILING. THE DRAWING AND ITS CONTENT MAY NOT BE USED OR REPRODUCED, IN WHOLE OR IN PART, WITHOUT THE PRIOR WRITTEN PERMISSION OF PRECISION PRECAST DETAILING.</p>		<p>ARCHITECTURAL SOLID WALL PANEL</p>	
		<p>PROJECT: UNDEFINED</p>	<p>LOCATION: UNDEFINED</p>
<p>ISSUED FOR APPROVAL</p>	<p>NO.</p>	<p>IN.</p>	<p>DATE</p>
<p>DRAWN BY</p>	<p>CHECKED BY</p>	<p>PROJECT NUMBER</p>	<p>DRAWING NUMBER</p>
<p>DEMO01</p>		<p>E4.10</p>	



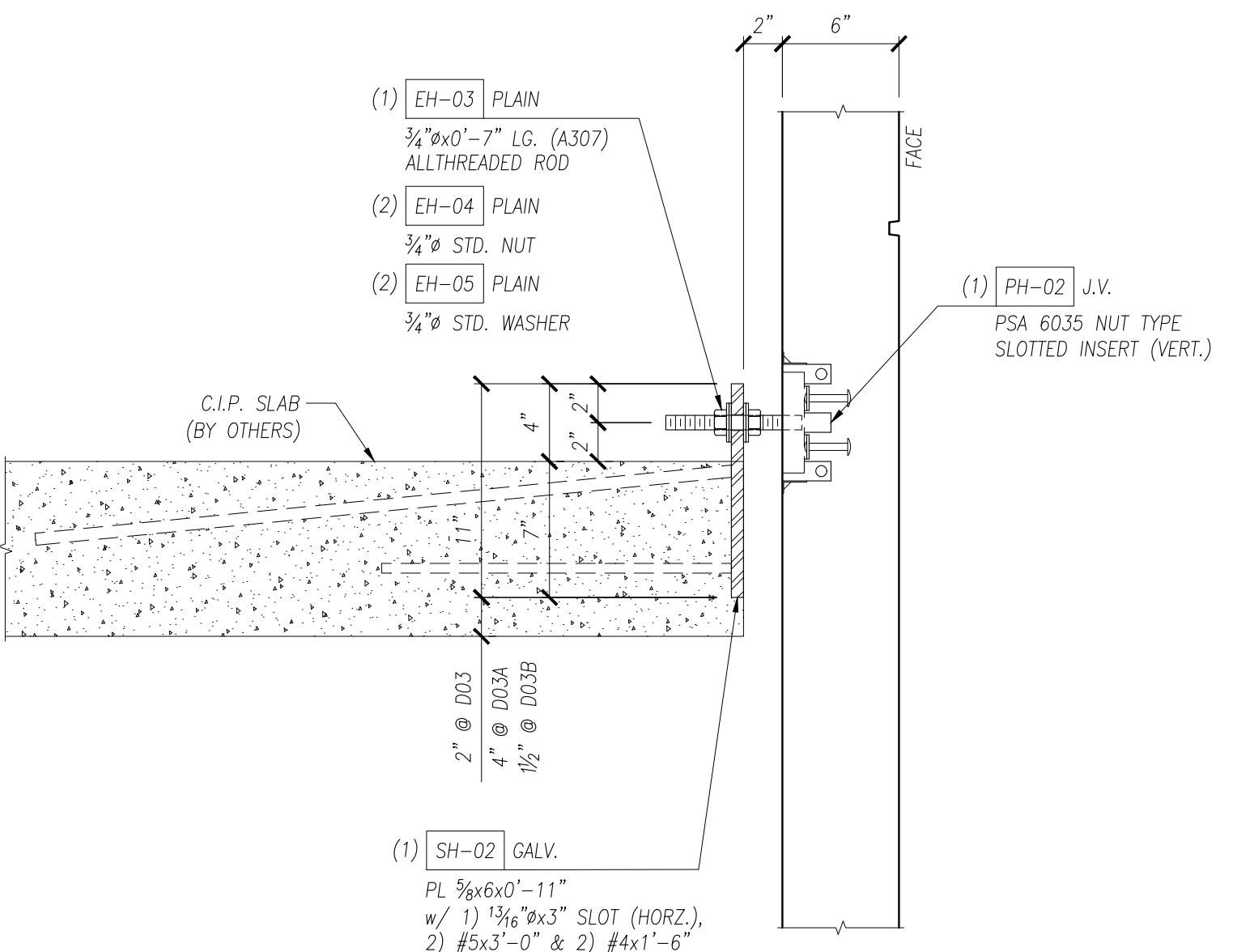
SECTION

D01 CONNECTION DETAIL
E5.01 PANEL TO C.I.P. CURB
SCALE: 1 1/2" = 1'-0"



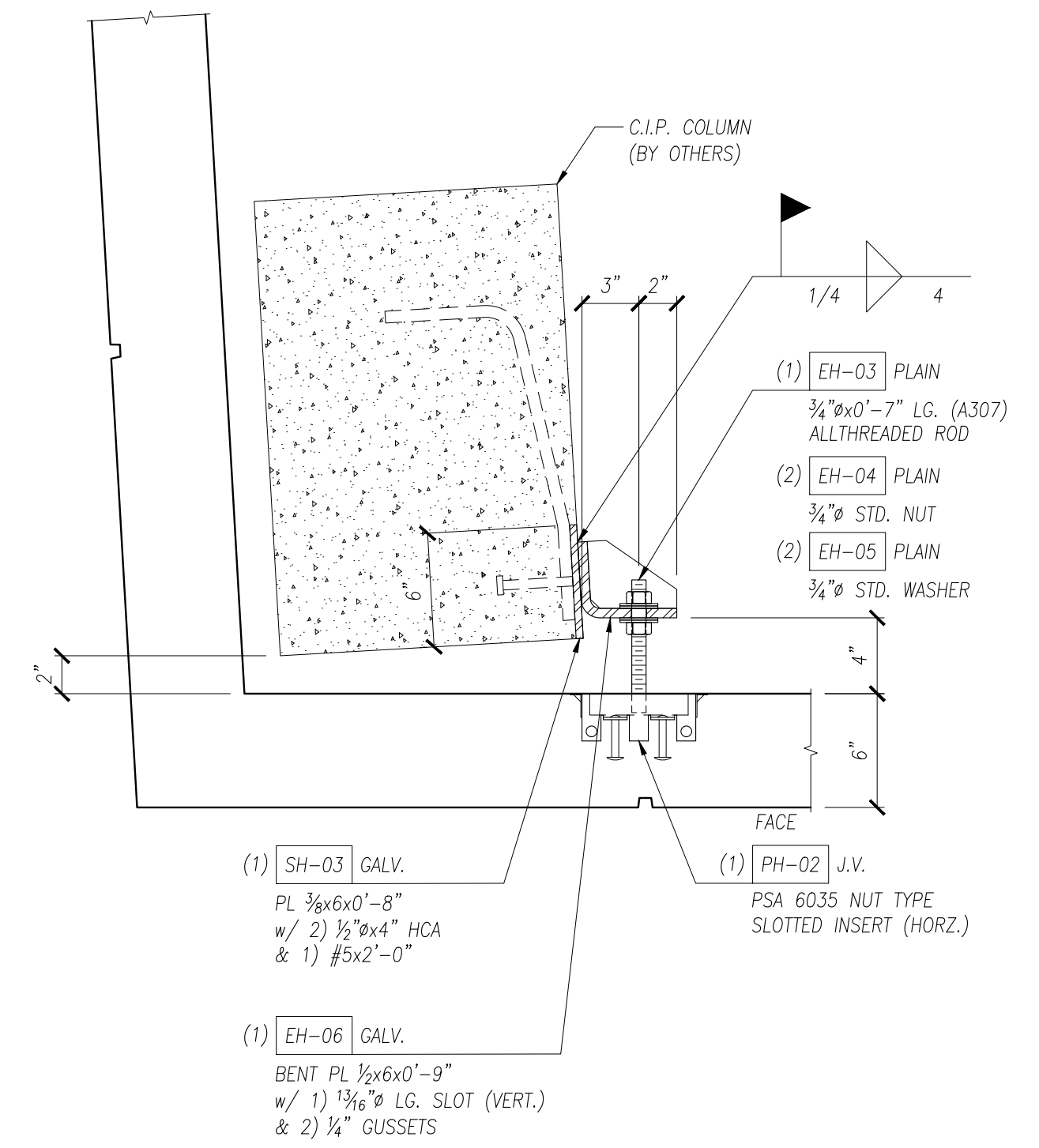
SECTION

D02 CONNECTION DETAIL
E5.01 PANEL TO C.I.P. SLAB
SCALE: 1 1/2" = 1'-0"



SECTION

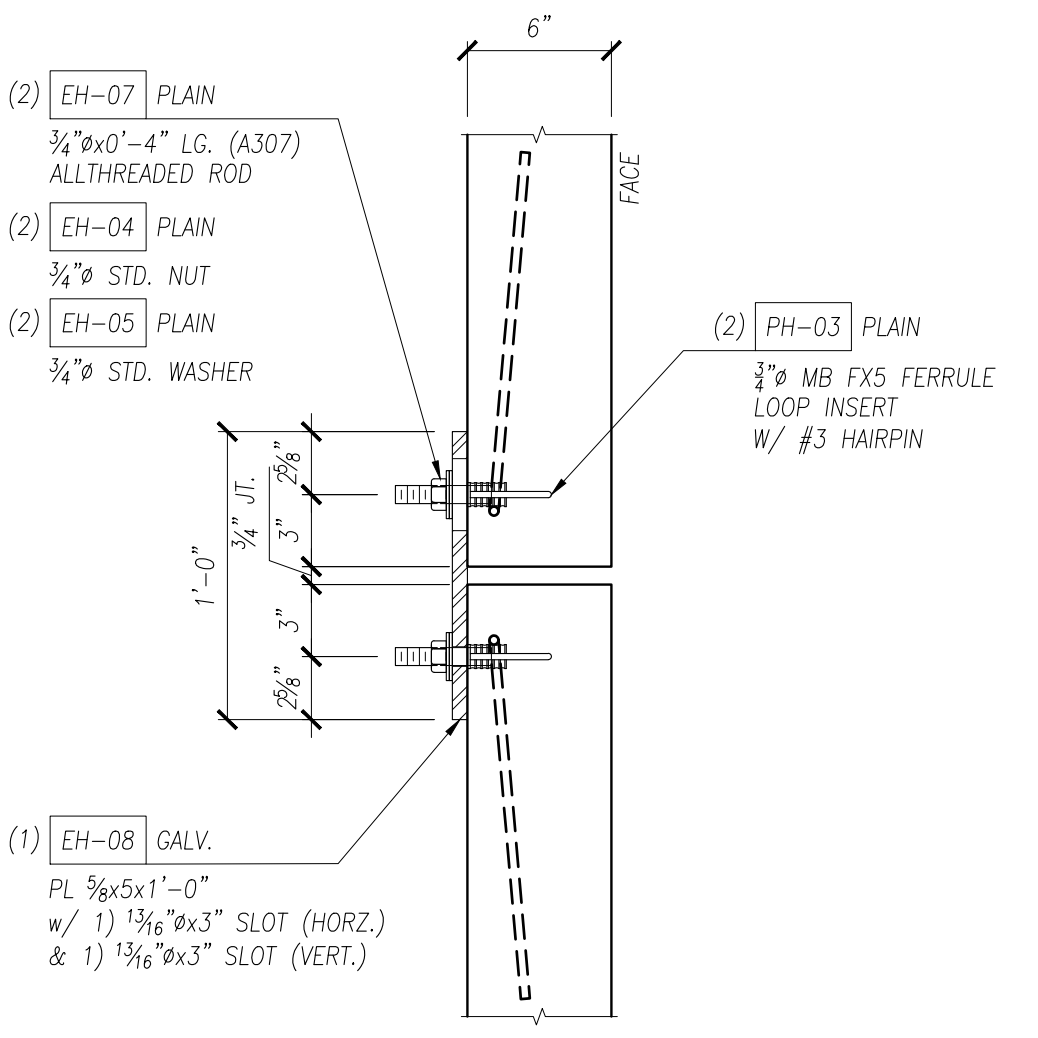
D03 CONNECTION DETAIL
E5.01 PANEL TO C.I.P. SLAB
SCALE: 1 1/2" = 1'-0"



PLAN

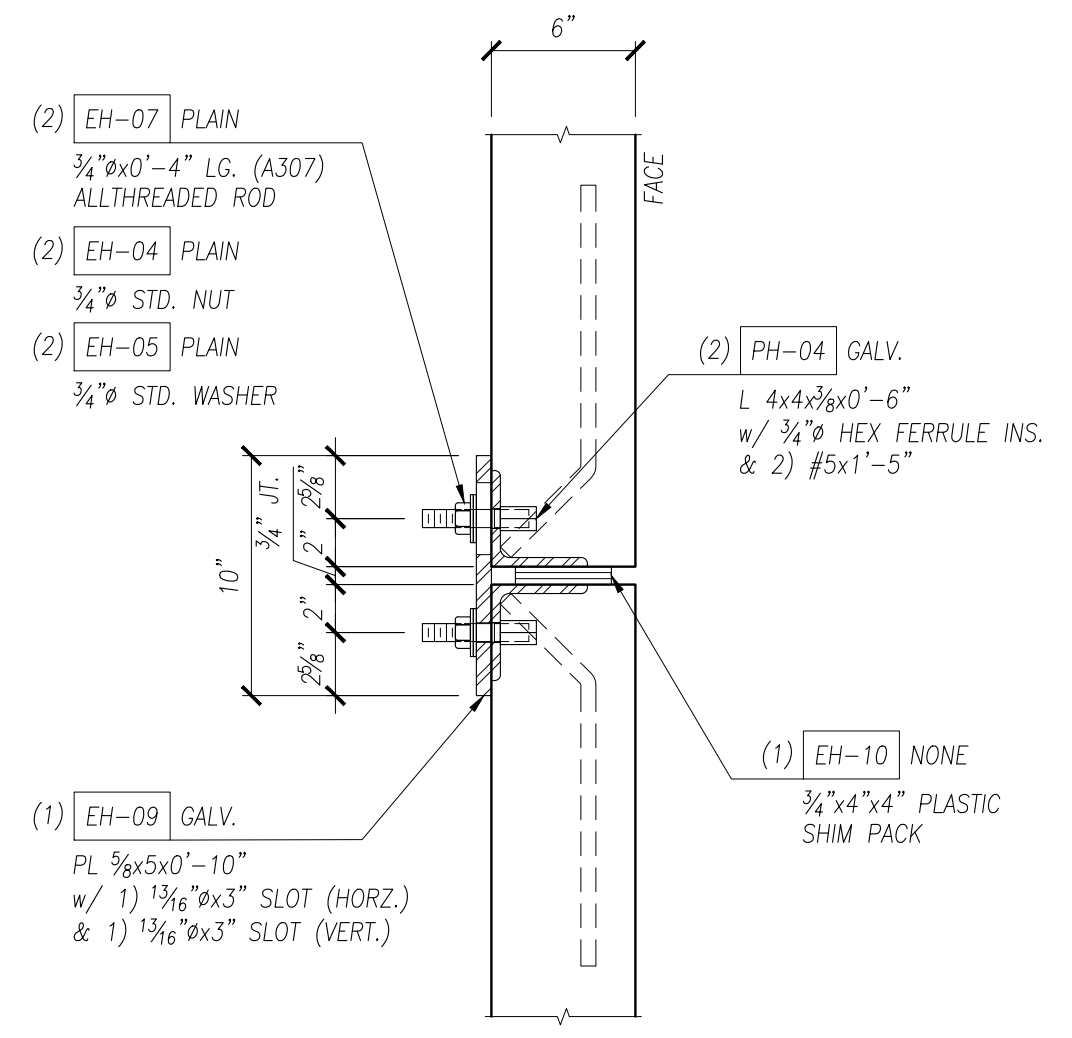
D04 CONNECTION DETAIL
E5.01 PANEL TO C.I.P. COLUMN
SCALE: 1 1/2" = 1'-0"

ERECTOR NOTE:
FILL ENTIRE JOINT W/ 5000 PSI MIN. NON-SHRINK, NON-METALLIC GROUT.



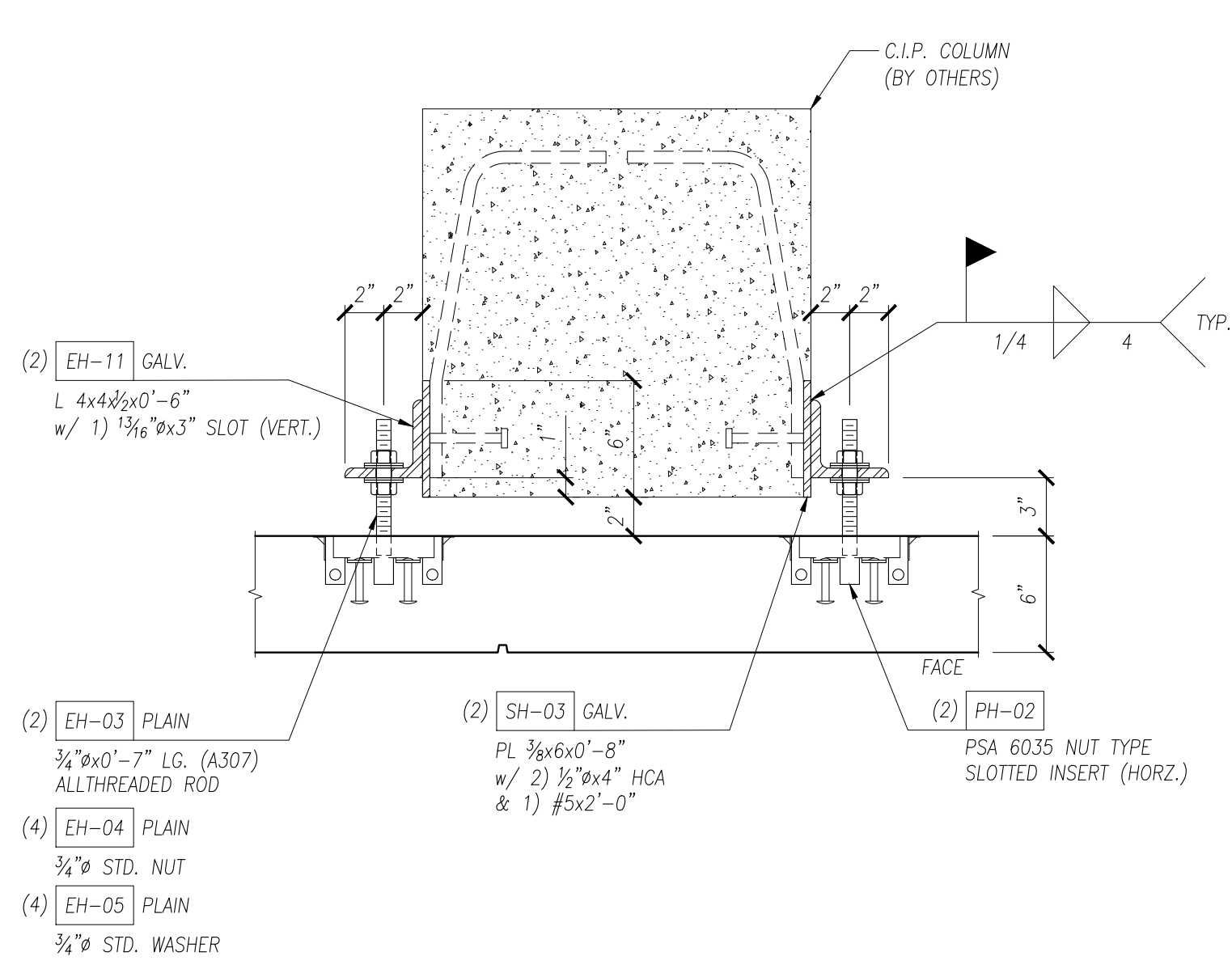
SECTION

D05 CONNECTION DETAIL
E5.01 PANEL TO PANEL
SCALE: 1 1/2" = 1'-0"



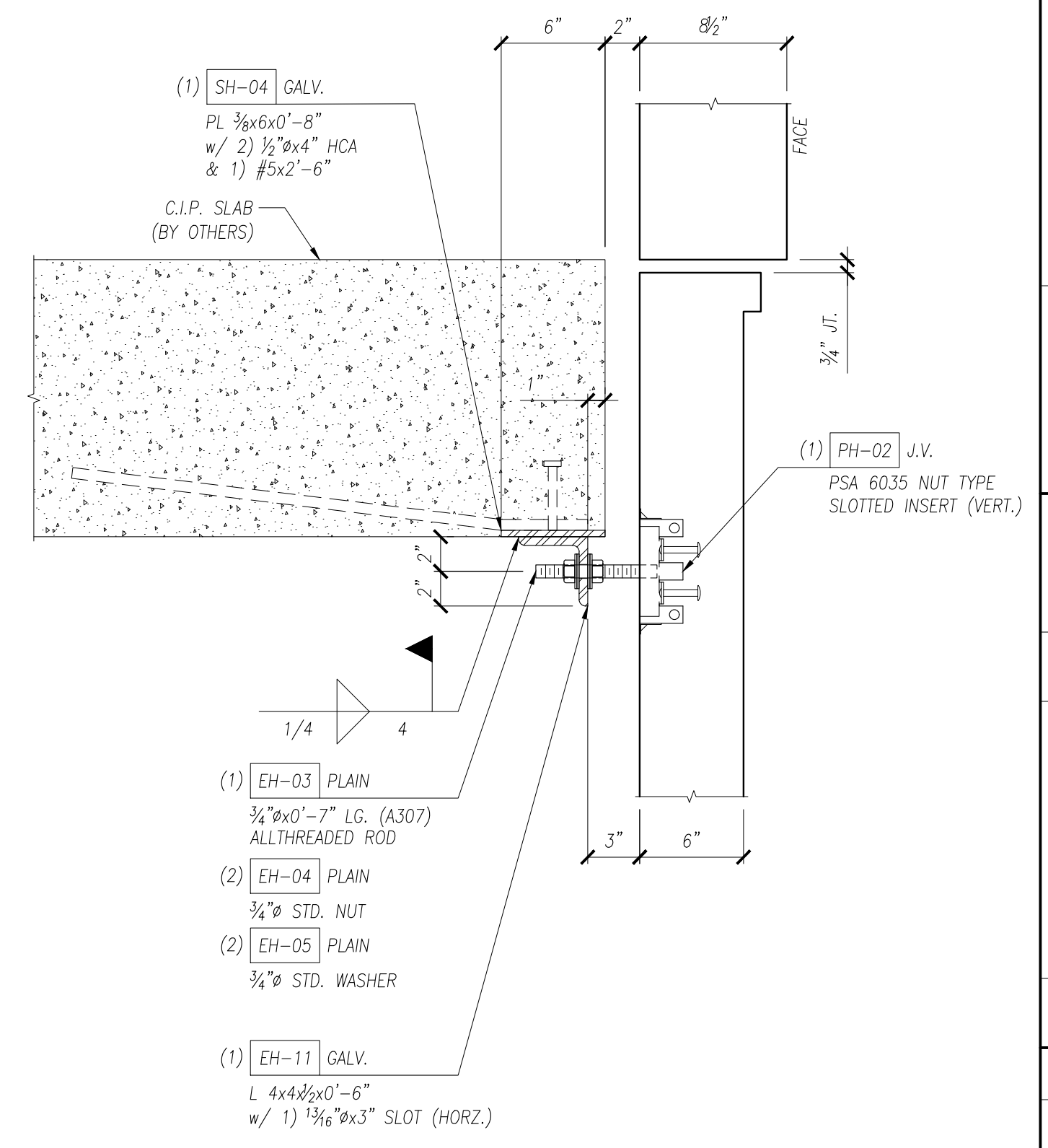
SECTION

D06 CONNECTION DETAIL
E5.01 PANEL TO PANEL
SCALE: 1 1/2" = 1'-0"



PLAN

D07 CONNECTION DETAIL
E5.01 PANEL TO C.I.P. COLUMN
SCALE: 1 1/2" = 1'-0"



SECTION

D08 CONNECTION DETAIL
E5.01 PANEL TO C.I.P. SLAB
SCALE: 1 1/2" = 1'-0"

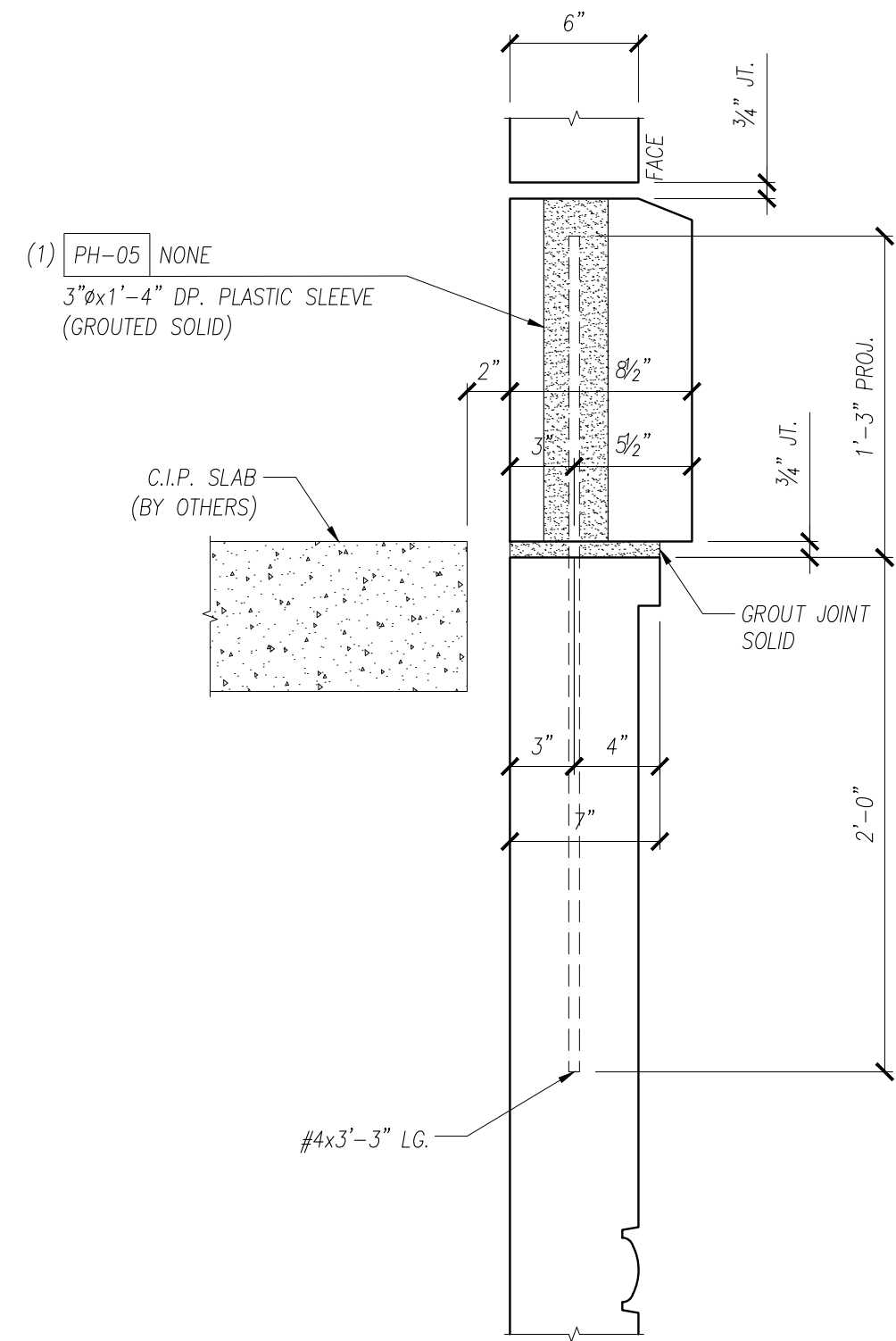
NOTES:
1. SEE KEY PLAN FOR NOMENCLATURE USED ON THESE DRAWINGS.
2. THESE DRAWINGS WERE PREPARED FROM INFORMATION CONTAINED WITHIN SOURCE DRAWINGS PROVIDED BY THE GENERAL CONTRACTOR OR HIS DESIGNER. PRECISIO PRECAST IS NOT RESPONSIBLE FOR ERRORS OR OMISSIONS DUE TO LACK OF SOURCE DRAWING COMPLETENESS.
3. PROPRIETARY NOTICE: THIS UNFINISHED DRAWING AND ITS CONTENTS ARE THE PROPERTY OF PRECISIO PRECAST DETAILING AND EMBODY CONFIDENTIAL AND PROPRIETARY RIGHTS, INCLUDING COPYRIGHTS, OWNED BY PRECISIO PRECAST DETAILING. THE DRAWING AND ITS CONTENT MAY NOT BE REPRODUCED, IN WHOLE OR IN PART, WITHOUT THE PRIOR WRITTEN PERMISSION OF PRECISIO PRECAST DETAILING.

ARCHITECTURAL SOLID WALL PANEL	
PROJECT:	UNDEFINED
LOCATION:	UNDEFINED
CONTRACTOR:	UNDEFINED
DRAWING TITLE:	CONNECTION DETAILS

ISSUED FOR APPROVAL	NO.	BY	DATE
0			

DRAWN BY	CHECKED BY
I.N.	I.N.
PROJECT NUMBER	
DEMO01	
DRAWING NUMBER	
E5.01	

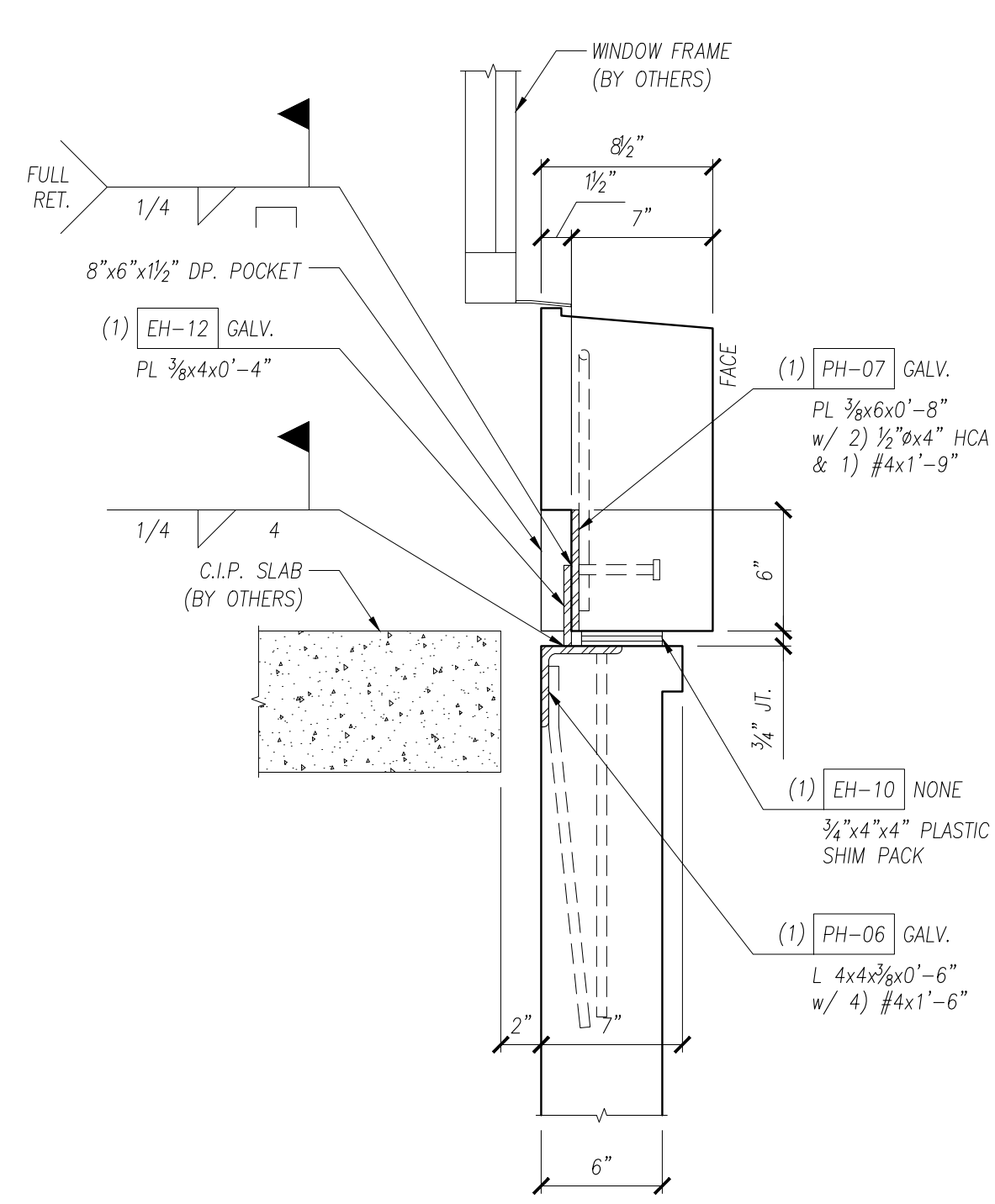
ERECTOR NOTE:
FILL ENTIRE JOINT W/ 5000 PSI MIN. NON-SHRINK, NON-METALLIC GROUT.



SECTION

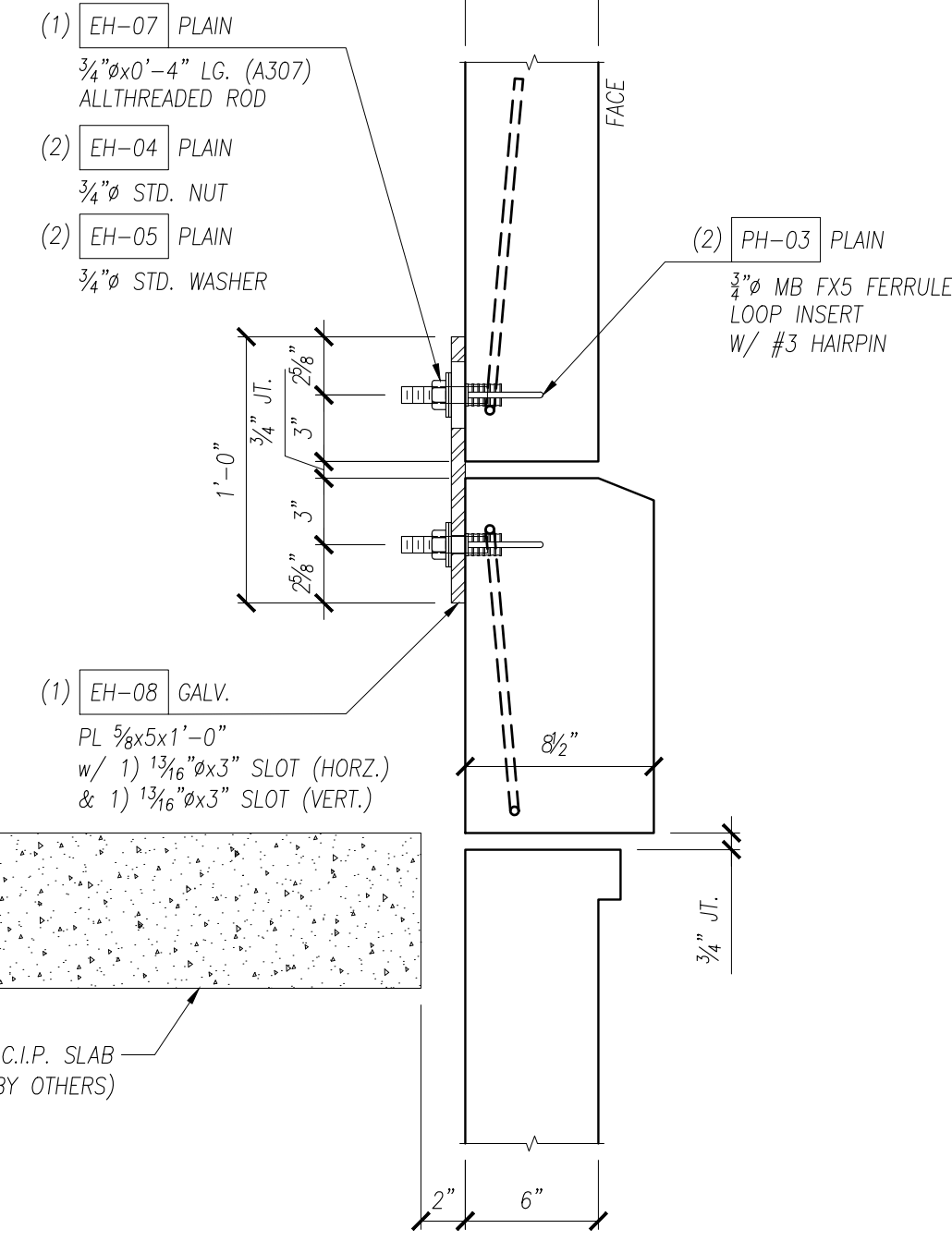
D09 CONNECTION DETAIL
E5.02 PANEL TO COPING
SCALE: 1 1/2" = 1'-0"

ERECTOR NOTE:
FILL ENTIRE JOINT W/ 5000 PSI MIN. NON-SHRINK, NON-METALLIC GROUT.



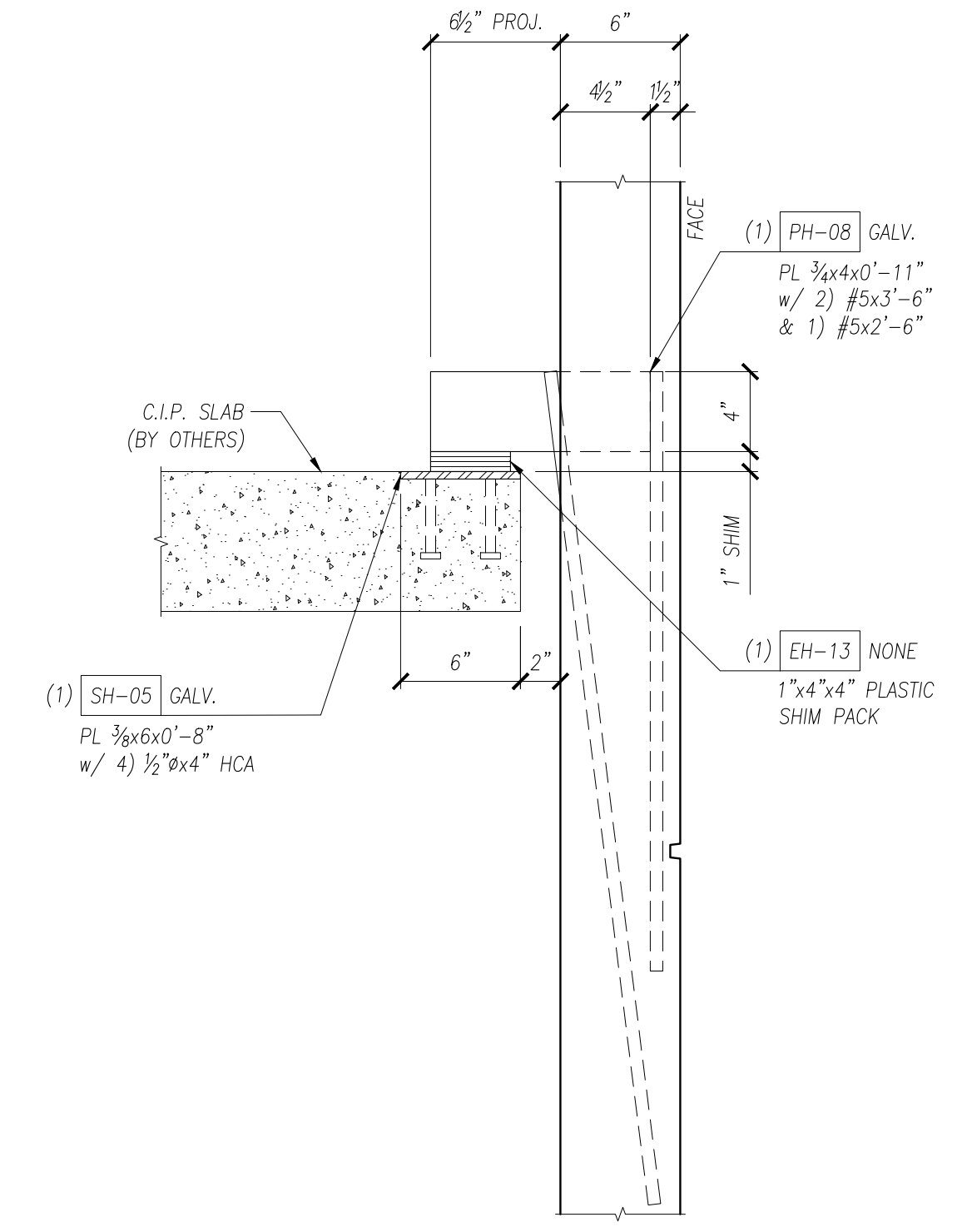
SECTION

D10 CONNECTION DETAIL
E5.02 PANEL TO COPING
SCALE: 1 1/2" = 1'-0"



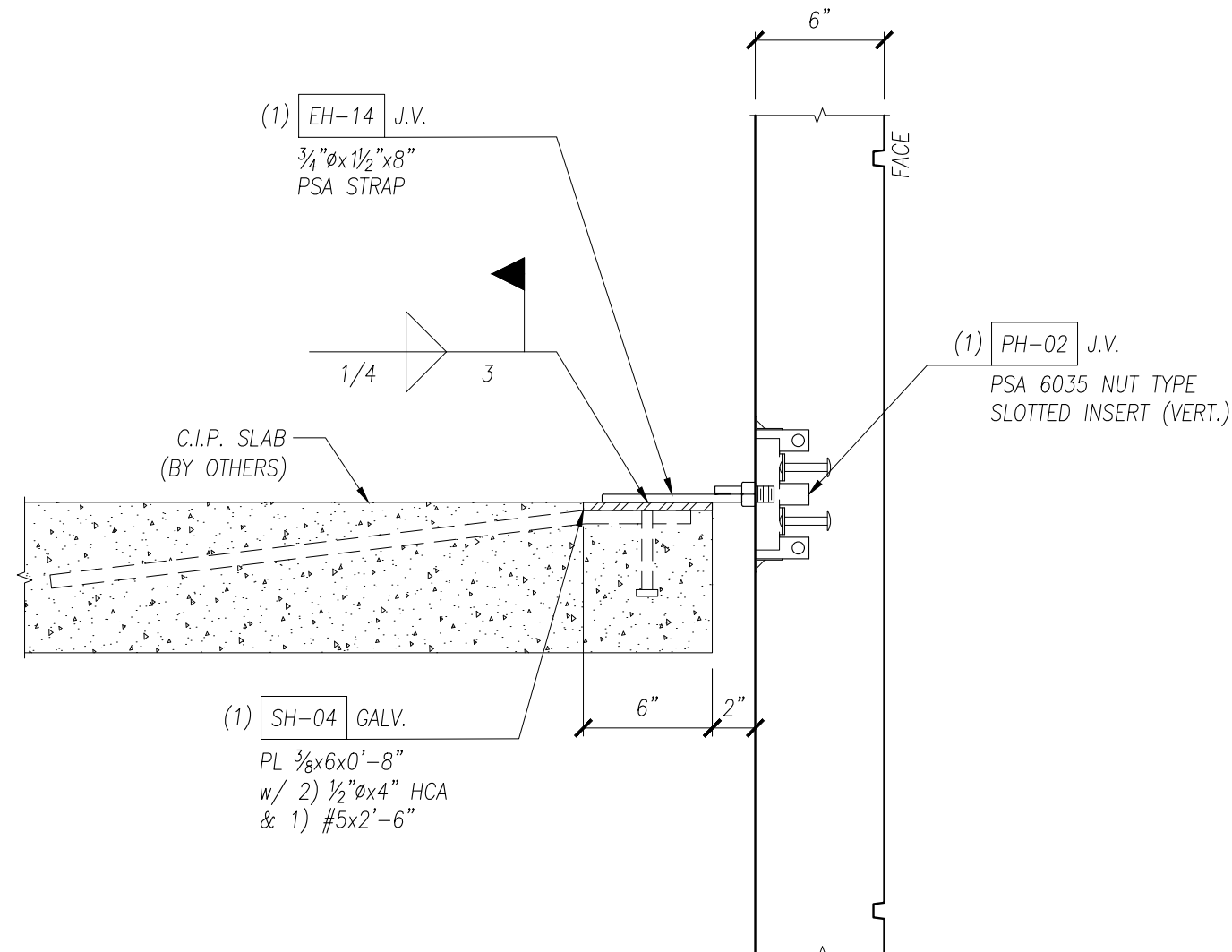
SECTION

D11 CONNECTION DETAIL
E5.02 PANEL TO COPING
SCALE: 1 1/2" = 1'-0"



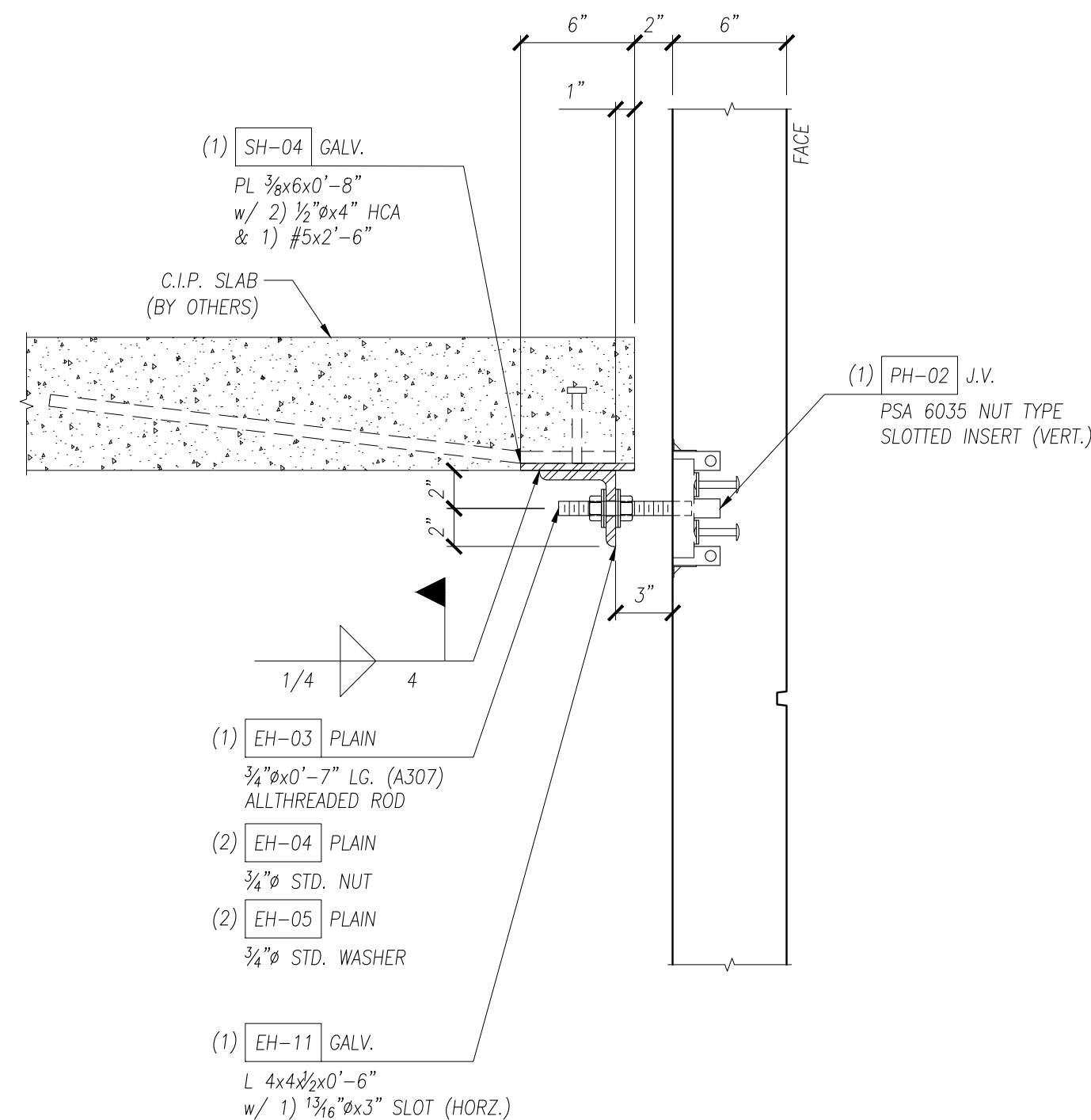
SECTION

D12 CONNECTION DETAIL
E5.02 PANEL TO C.I.P. SLAB
SCALE: 1 1/2" = 1'-0"



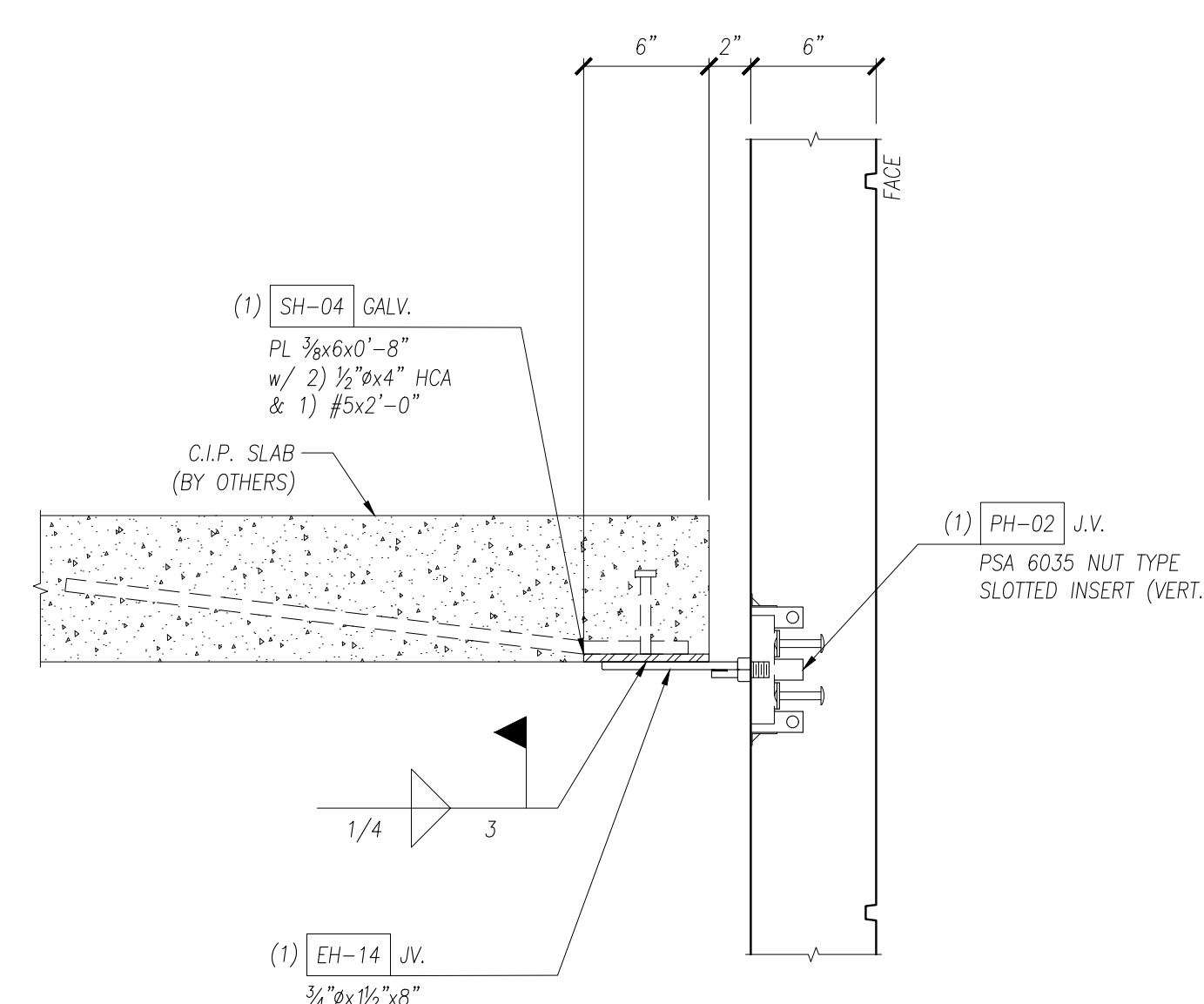
SECTION

D13 CONNECTION DETAIL
E5.02 PANEL TO C.I.P. SLAB
SCALE: 1 1/2" = 1'-0"



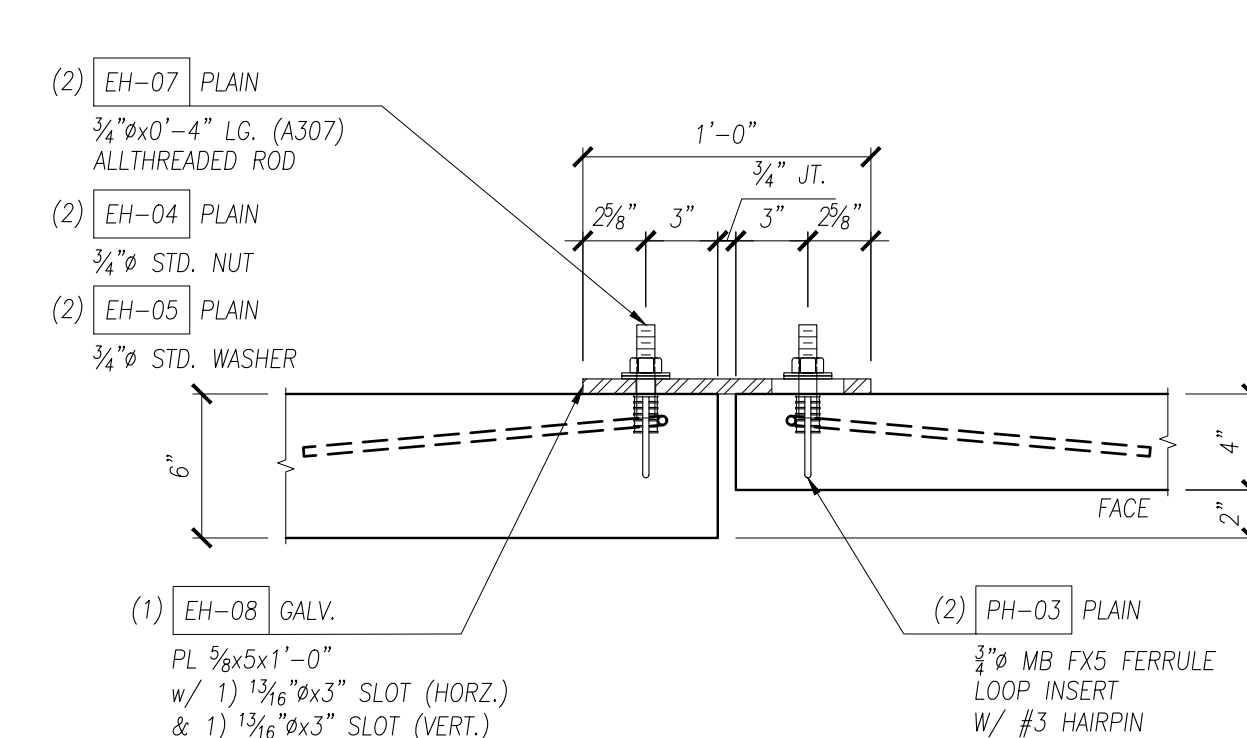
SECTION

D14 CONNECTION DETAIL
E5.02 PANEL TO C.I.P. SLAB
SCALE: 1 1/2" = 1'-0"



SECTION

D15 CONNECTION DETAIL
E5.02 PANEL TO C.I.P. SLAB
SCALE: 1 1/2" = 1'-0"



PLAN

D16 CONNECTION DETAIL
E5.02 PANEL TO PANEL
SCALE: 1 1/2" = 1'-0"

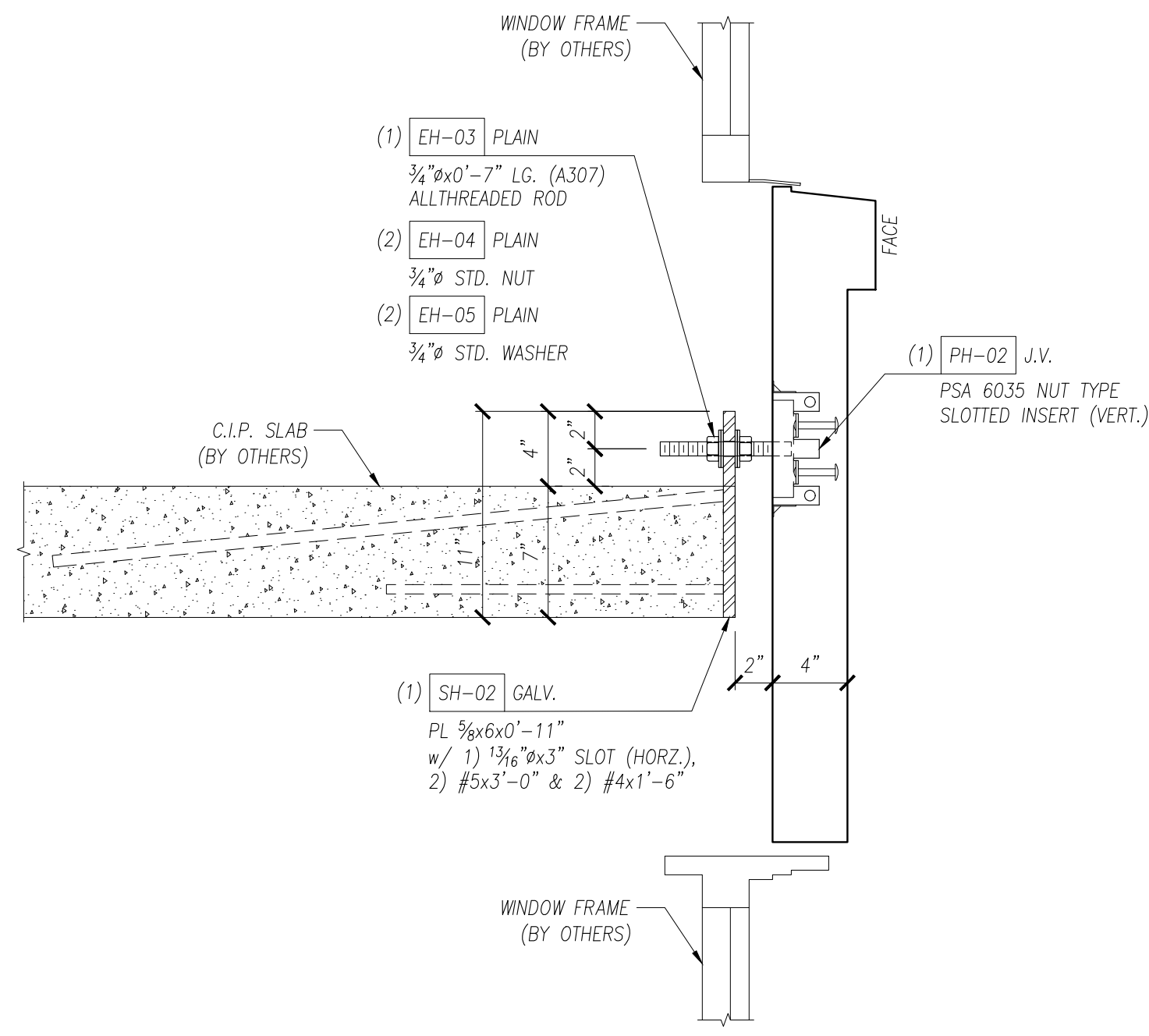
PRECISION
PRECAST DETAILING

NOTES:
1. SEE KEY PLAN FOR NOMENCLATURE USED ON THESE DRAWINGS.
2. THESE DRAWINGS WERE PREPARED FROM INFORMATION CONTAINED WITHIN SOURCE DRAWINGS PROVIDED BY THE GENERAL CONTRACTOR OR HIS DESIGNER. PRECASTER PRECAST IS NOT RESPONSIBLE FOR ERRORS OR OMISSIONS DUE TO LACK OF SOURCE DRAWING COMPLETENESS.
3. PROPRIETARY NOTICE: THIS UNPUBLISHED DRAWING AND ITS CONTENTS ARE THE PROPERTY OF PRECISION PRECAST DETAILING AND EMBODY CONFIDENTIAL AND PROPRIETARY RIGHTS, INCLUDING COPYRIGHTS, OWNED BY PRECISION PRECAST DETAILING. THE DRAWING AND ITS CONTENT MAY NOT BE USED OR REPRODUCED, IN WHOLE OR IN PART, WITHOUT THE PRIOR WRITTEN PERMISSION OF PRECISION PRECAST DETAILING.

ARCHITECTURAL SOLID WALL PANEL
UNDEFINED
UNDEFINED
CONNECTION DETAILS

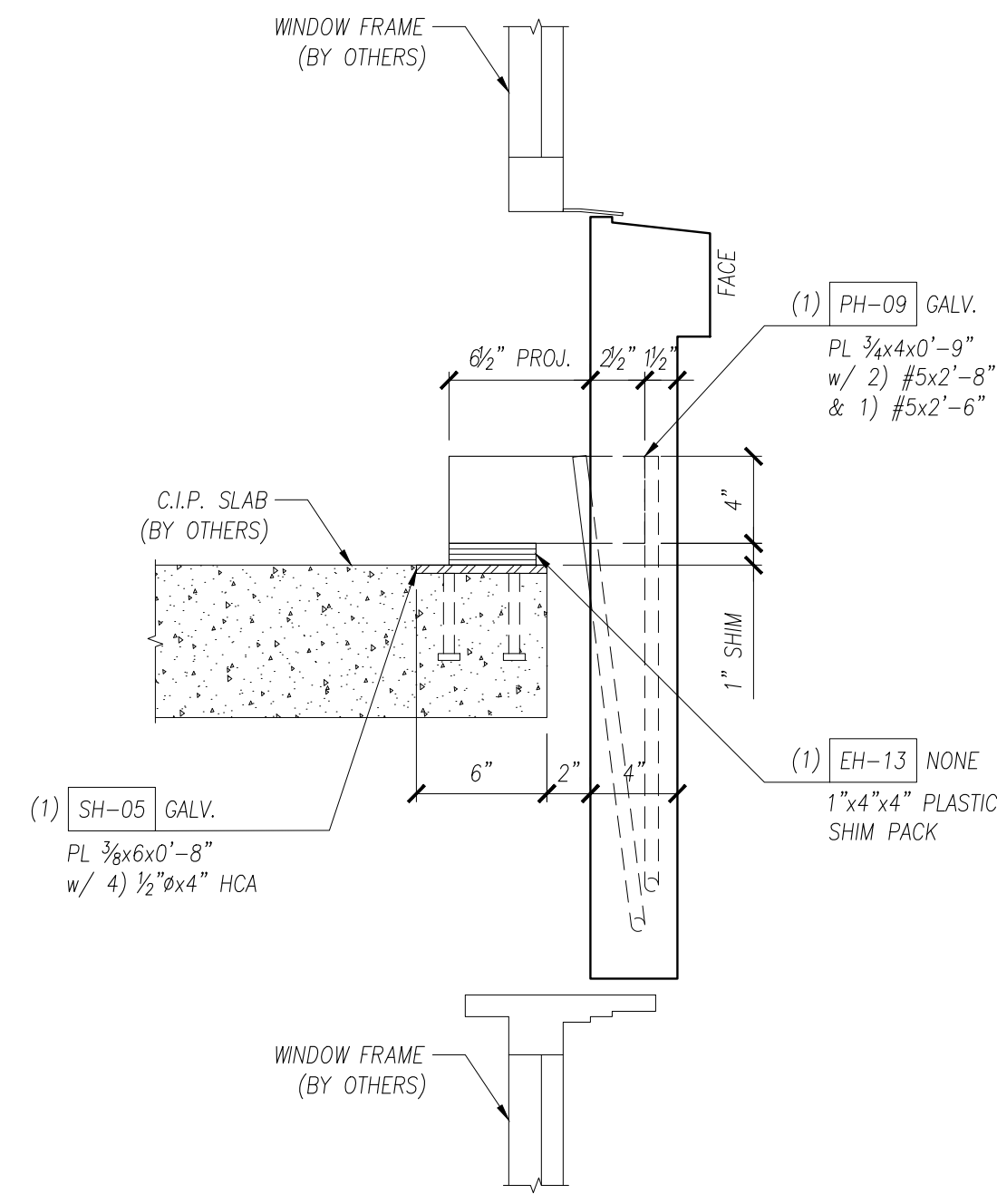
PROJECT:	LOCATION:	CONTRACTOR:	DRAWING TITLE:
ISSUED FOR APPROVAL	IN.	DATE	BY
0		XXXXXX	
NO.	REVISION		

DRAWN BY:	CHECKED BY:
I.N.	I.N.
PROJECT NUMBER	
DEMO01	
DRAWING NUMBER	
E5.02	



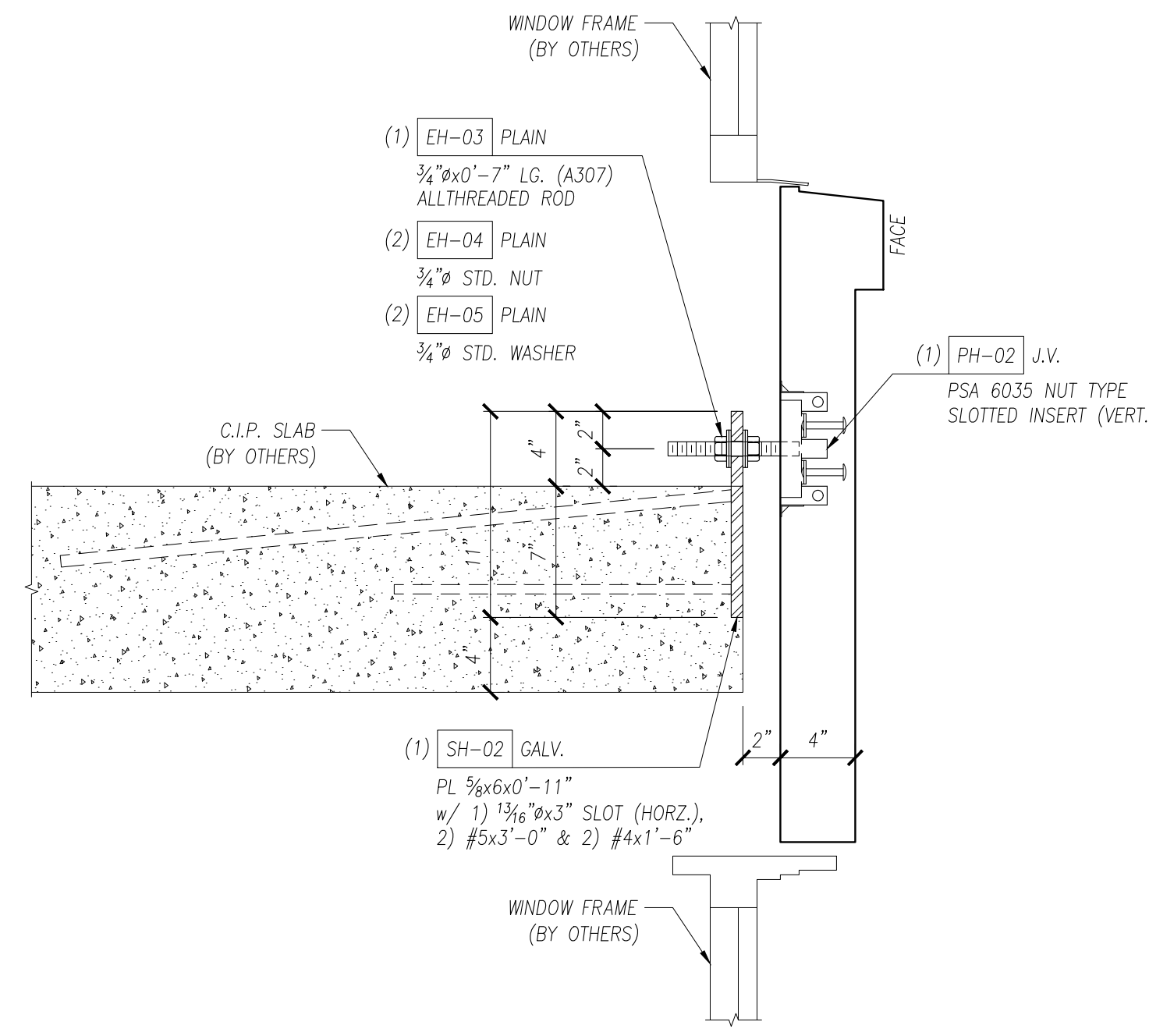
SECTION

D17 CONNECTION DETAIL
E5.03 PANEL TO C.I.P. SLAB
SCALE: 1 1/2" = 1'-0"



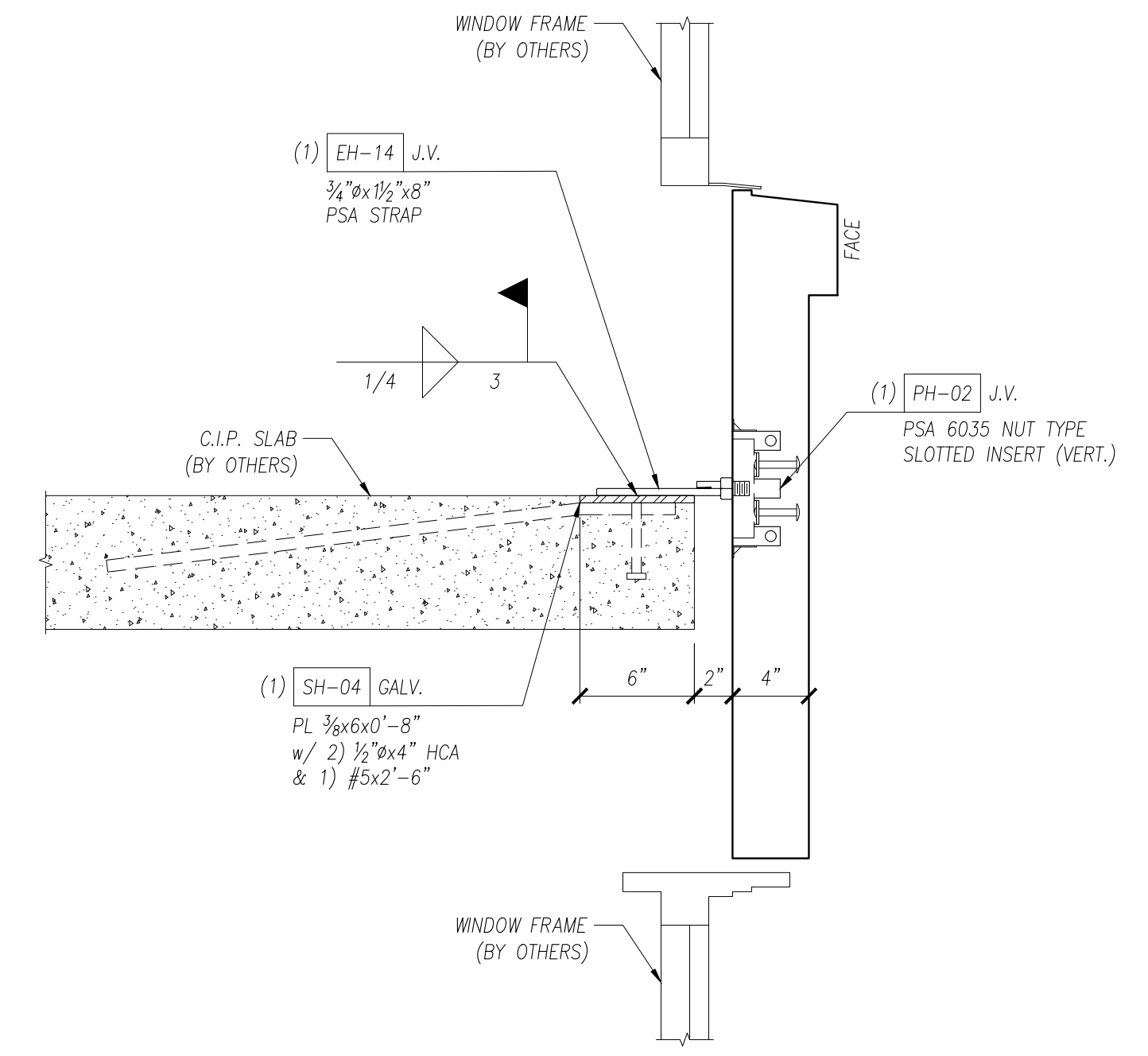
SECTION

D18 CONNECTION DETAIL
E5.03 PANEL TO C.I.P. SLAB
SCALE: 1 1/2" = 1'-0"



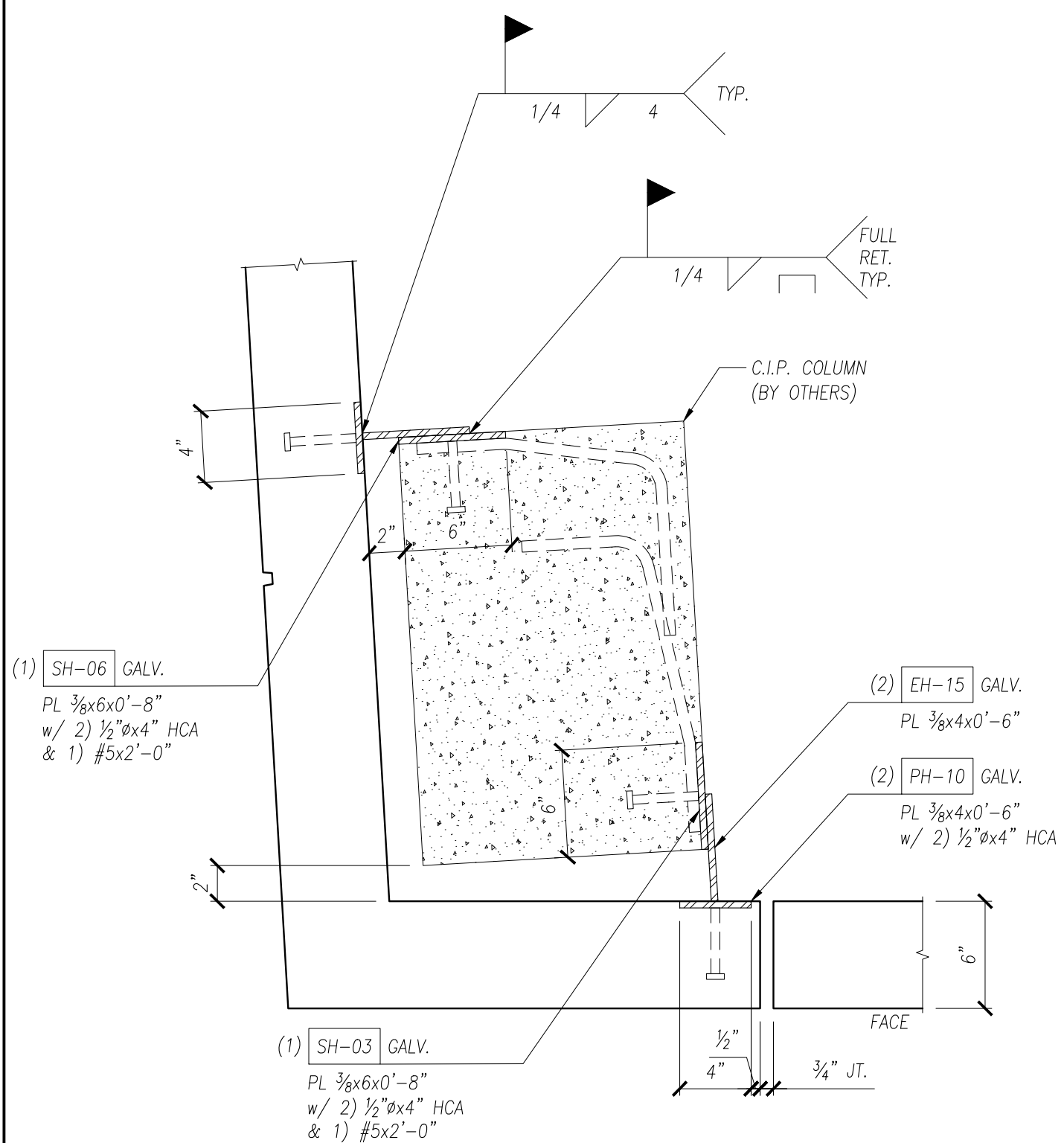
SECTION

D19 CONNECTION DETAIL
E5.03 PANEL TO C.I.P. SLAB
SCALE: 1 1/2" = 1'-0"



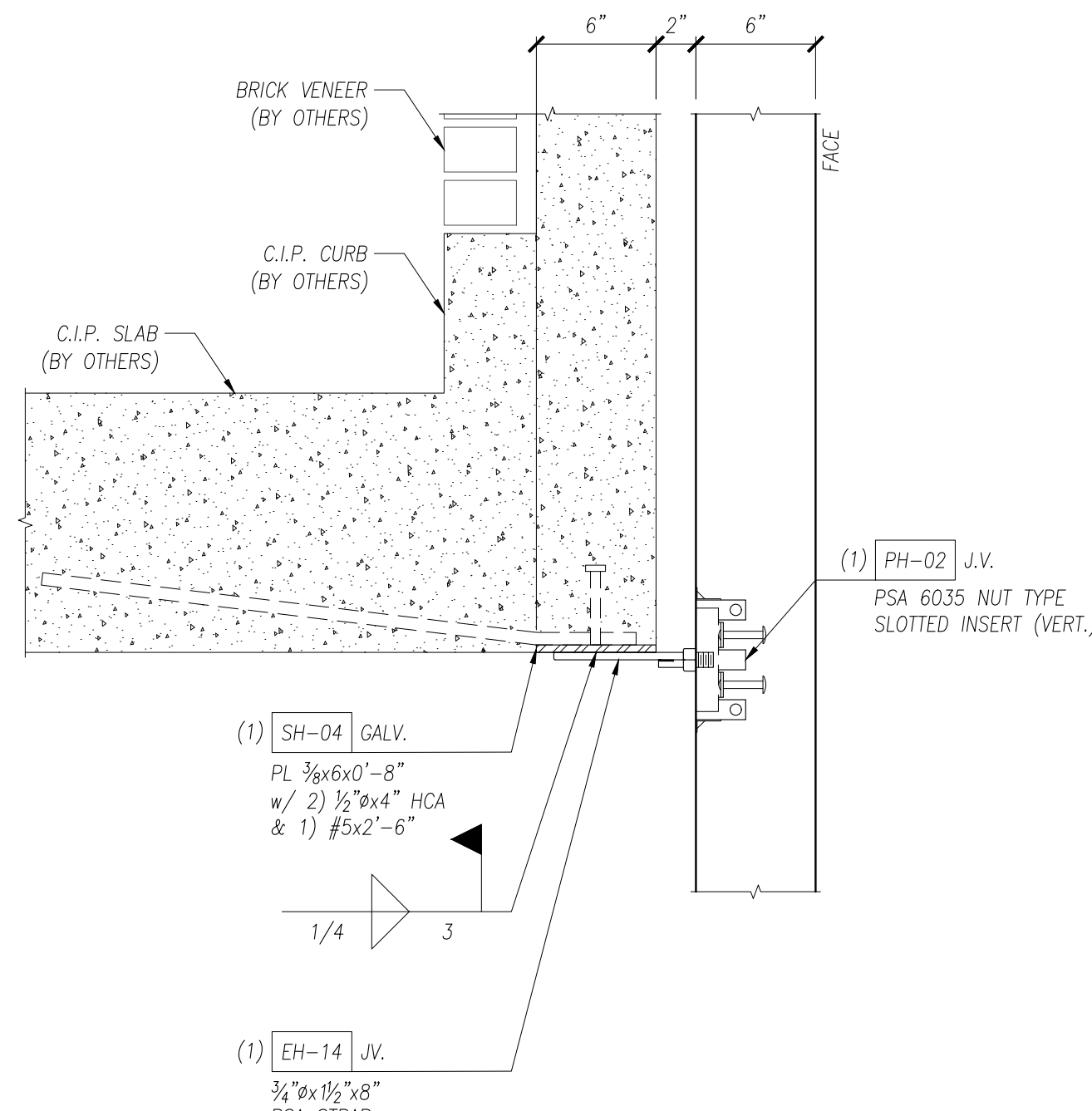
SECTION

D20 CONNECTION DETAIL
E5.03 PANEL TO C.I.P. SLAB
SCALE: 1 1/2" = 1'-0"



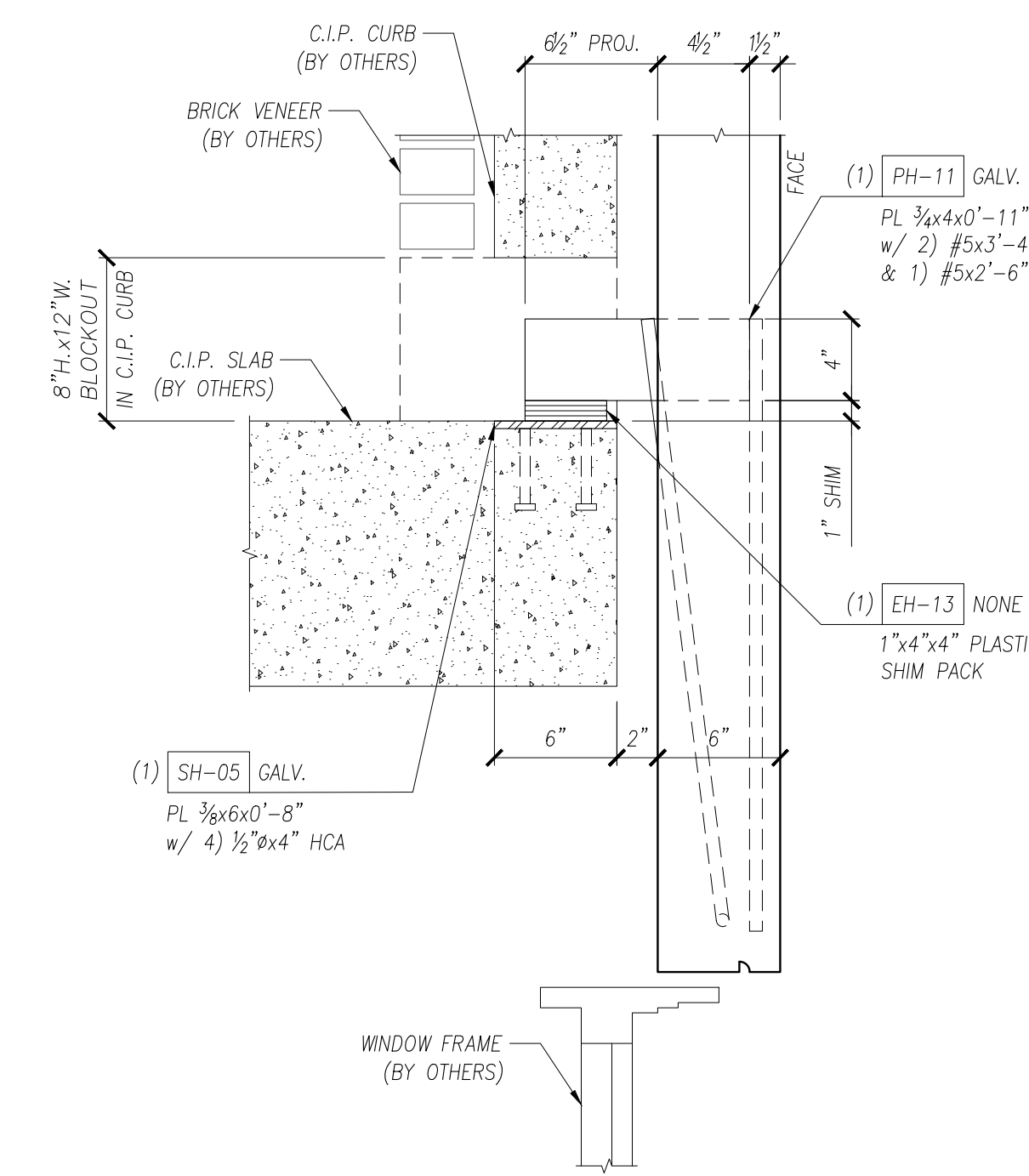
PLAN

D21 CONNECTION DETAIL
E5.03 PANEL TO C.I.P. COLUMN
SCALE: 1 1/2" = 1'-0"



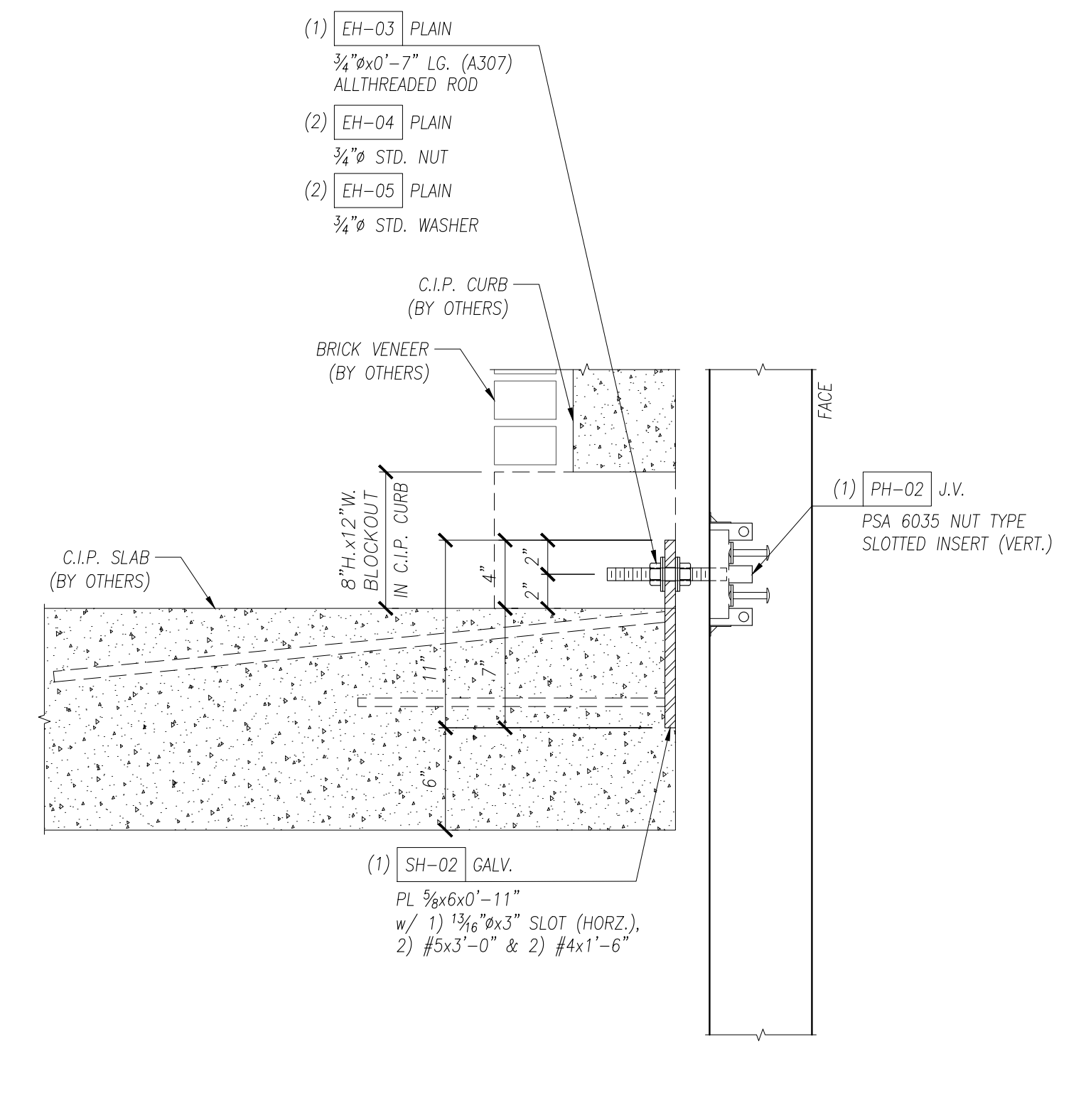
SECTION

D22 CONNECTION DETAIL
E5.03 PANEL TO C.I.P. SLAB
SCALE: 1 1/2" = 1'-0"



SECTION

D23 CONNECTION DETAIL
E5.03 PANEL TO C.I.P. CURB
SCALE: 1 1/2" = 1'-0"



SECTION

D24 CONNECTION DETAIL
E5.03 PANEL TO C.I.P. CURB
SCALE: 1 1/2" = 1'-0"

NOTES:
1. SEE KEY PLAN FOR NOMENCLATURE USED ON THESE DRAWINGS.
2. THESE DRAWINGS WERE PREPARED FROM INFORMATION CONTAINED WITHIN SOURCE DRAWINGS PROVIDED BY THE GENERAL CONTRACTOR OR HIS DESIGNER. PRECISIO PRECAST IS NOT RESPONSIBLE FOR ERRORS OR OMISSIONS DUE TO LACK OF SOURCE DRAWING COMPLETENESS.
3. PROPRIETARY NOTICE: THIS UNPUBLISHED DRAWING AND ITS CONTENTS ARE THE PROPERTY OF PRECISIO PRECAST DETAILING AND EMBODY CONFIDENTIAL AND PROPRIETARY RIGHTS, INCLUDING COPYRIGHTS, OWNED BY PRECISIO PRECAST DETAILING. THE DRAWING AND ITS CONTENT MAY NOT BE USED OR REPRODUCED, IN WHOLE OR IN PART, WITHOUT THE PRIOR WRITTEN PERMISSION OF PRECISIO PRECAST DETAILING.

ARCHITECTURAL SOLID WALL PANEL	
PROJECT:	UNDEFINED
LOCATION:	UNDEFINED
CONTRACTOR:	UNDEFINED
DRAWING TITLE:	CONNECTION DETAILS

ISSUED FOR APPROVAL	IN.	XXXXXX	BY	DATE
0				

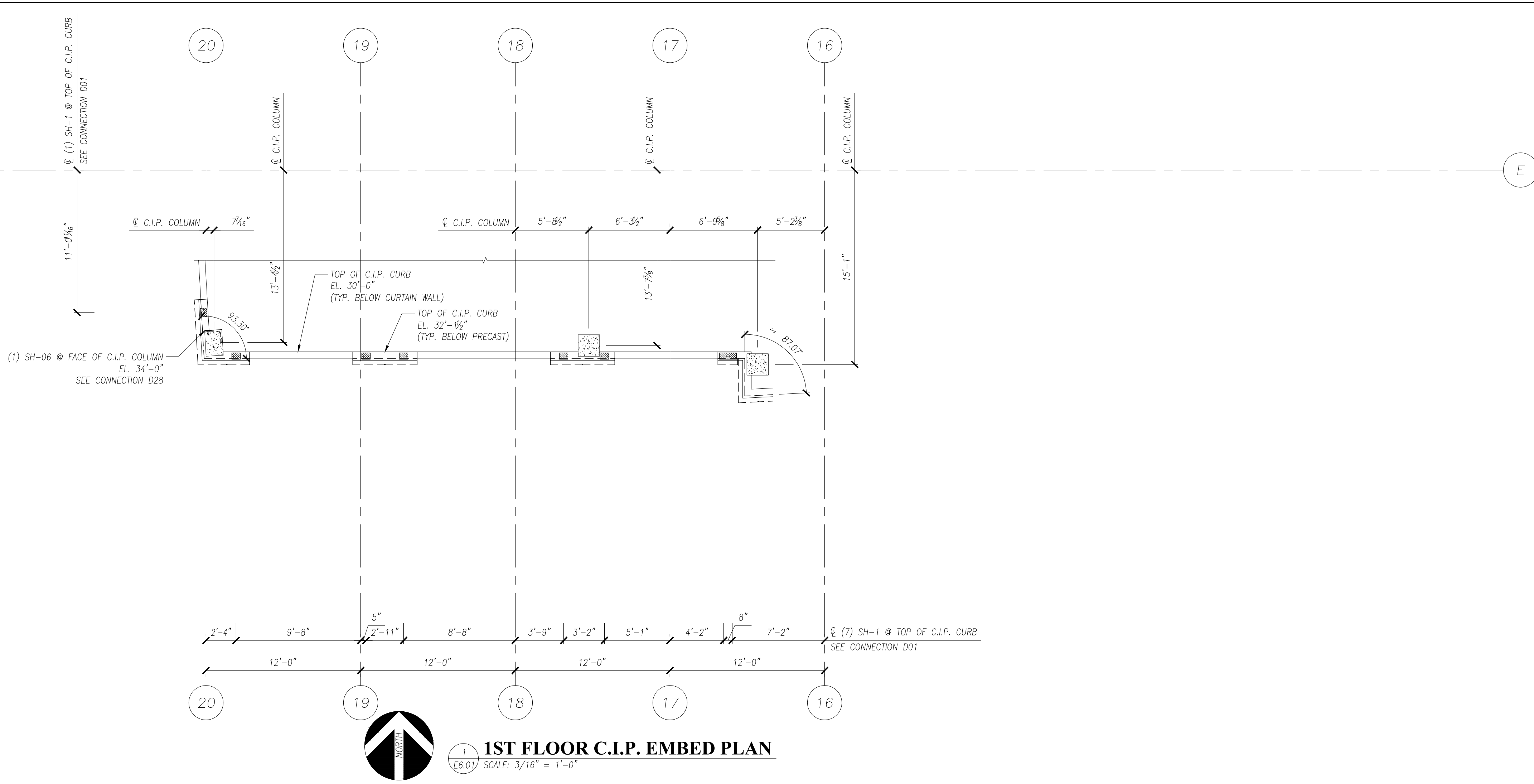
DRAWN BY	CHECKED BY
I.N.	I.N.
PROJECT NUMBER	
DEMO01	
DRAWING NUMBER	
E5.03	

NOTES:
 1. SEE KEY PLAN FOR NOMENCLATURE USED ON THESE DRAWINGS.
 2. THESE DRAWINGS WERE PREPARED FROM INFORMATION CONTAINED WITHIN SOURCE DRAWINGS PROVIDED BY THE GENERAL CONTRACTOR OR HIS DESIGNER. PREMER PRECAST IS NOT RESPONSIBLE FOR ERRORS OR OMISSIONS DUE TO LACK OF SOURCE DRAWING COMPLETENESS.
 3. PROPRIETARY NOTICE: THIS UNPUBLISHED DRAWING AND ITS CONTENTS ARE THE PROPERTY OF PRECISION PRECAST DETAILING AND EMBEDDING. PROPRIETARY RIGHTS, INCLUDING COPYRIGHTS, OWNED BY PRECISION PRECAST DETAILING THE DRAWING AND ITS CONTENT MAY NOT BE USED OR REPRODUCED, IN WHOLE OR IN PART, WITHOUT THE PRIOR WRITTEN PERMISSION OF PRECISION PRECAST DETAILING.

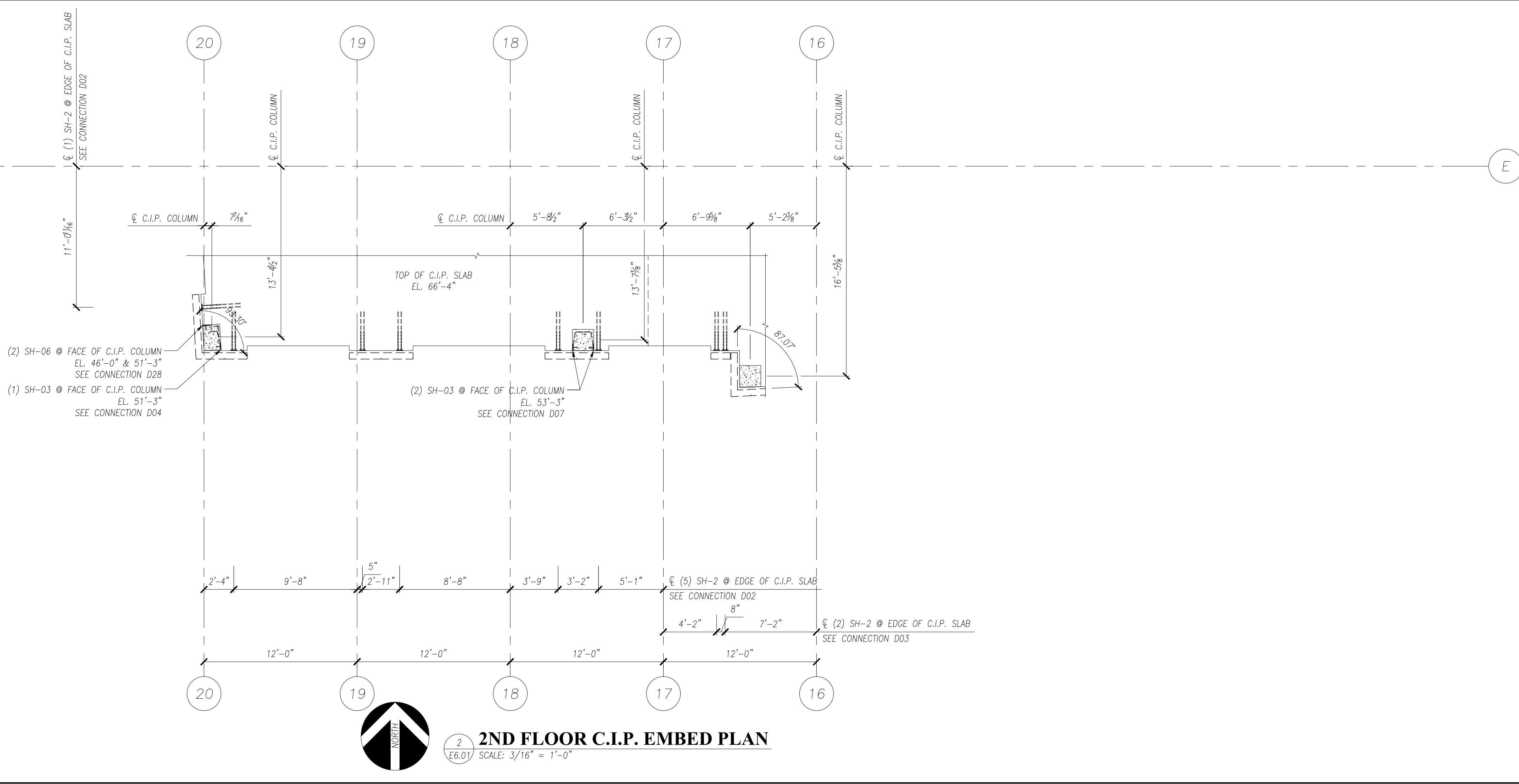
PROJECT:	ARCHITECTURAL SOLID WALL PANEL
LOCATION:	UNDEFINED
CONTRACTOR:	UNDEFINED
DRAWING TITLE:	1ST & 2ND C.I.P. EMBED PLANS

ISSUED FOR APPROVAL	IN.	XXXXXX	BY	DATE
0				
REVISION	NO.			

DRAWN BY	CHECKED BY
I.N.	I.N.
PROJECT NUMBER	
DEMO01	
DRAWING NUMBER	
E6.01	



1
E6.01 **1ST FLOOR C.I.P. EMBED PLAN**
SCALE: 3/16" = 1'-0"



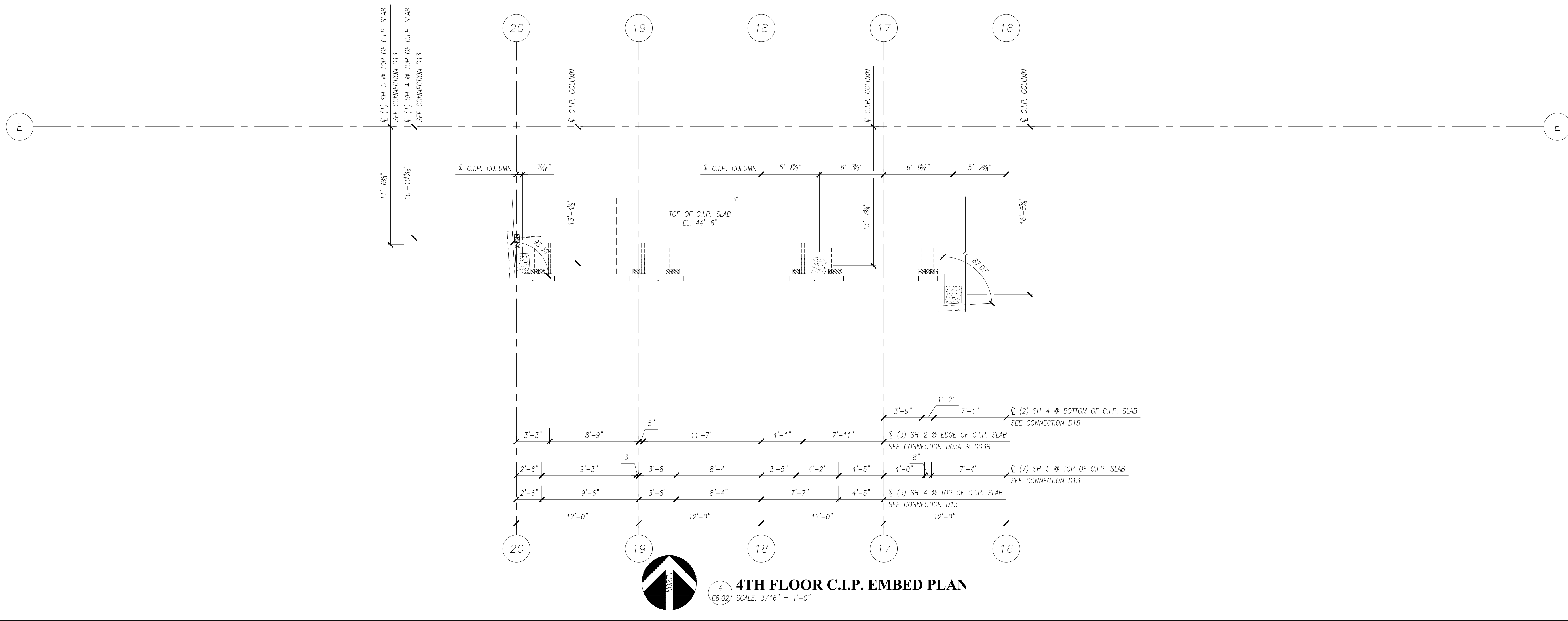
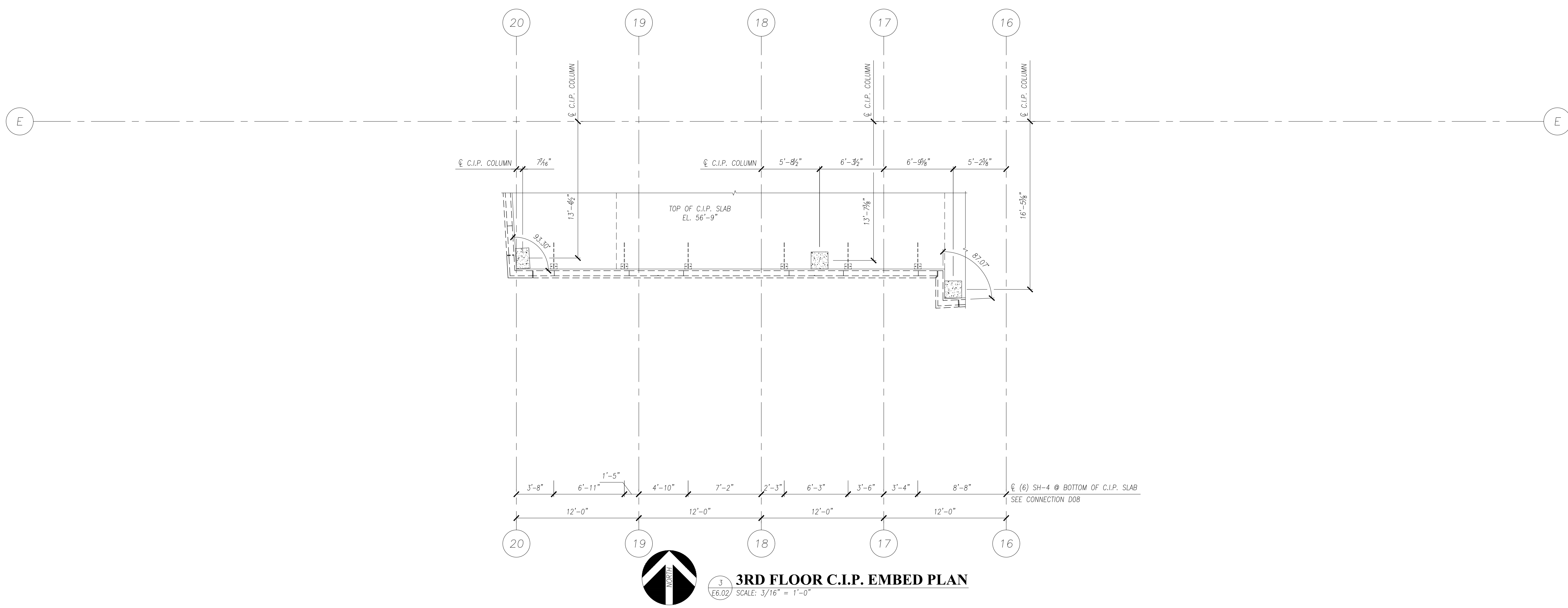
2
E6.01 **2ND FLOOR C.I.P. EMBED PLAN**
SCALE: 3/16" = 1'-0"

NOTES:
 1. SEE KEY PLAN FOR NOMENCLATURE USED ON THESE DRAWINGS.
 2. THESE DRAWINGS WERE PREPARED FROM INFORMATION CONTAINED WITHIN SOURCE DRAWINGS PROVIDED BY THE GENERAL CONTRACTOR OR HIS DESIGNER. PRECISOR PRECAST IS NOT RESPONSIBLE FOR ERRORS OR OMISSIONS DUE TO LACK OF SOURCE DRAWING COMPLETENESS.
 3. PROPRIETARY NOTICE: THIS UNPUBLISHED DRAWING AND ITS CONTENTS ARE THE PROPERTY OF PRECISOR PRECAST DETAILING AND EMBEDDING. PROPRIETARY RIGHTS, INCLUDING COPYRIGHTS, OWNED BY PRECISOR PRECAST DETAILING AND EMBEDDING. THIS CONTENT MAY NOT BE USED OR REPRODUCED, IN WHOLE OR IN PART, WITHOUT THE PRIOR WRITTEN PERMISSION OF PRECISOR PRECAST DETAILING.

PROJECT:	ARCHITECTURAL SOLID WALL PANEL
LOCATION:	UNDEFINED
CONTRACTOR:	UNDEFINED
DRAWING TITLE:	3RD & 4TH C.I.P. EMBED PLANS

ISSUED FOR APPROVAL	NO.	BY	DATE
0			

DRAWN BY	CHECKED BY
I.N.	I.N.
PROJECT NUMBER	
DEMO01	
DRAWING NUMBER	
E6.02	



NOTES:
 1. SEE KEY PLAN FOR NOMENCLATURE USED ON THESE DRAWINGS.
 2. THESE DRAWINGS WERE PREPARED FROM INFORMATION CONTAINED WITHIN SOURCE DRAWINGS PROVIDED BY THE GENERAL CONTRACTOR OR HIS DESIGNER. PRECISIO PRECAST IS NOT RESPONSIBLE FOR ERRORS OR OMISSIONS DUE TO LACK OF SOURCE DRAWING COMPLETENESS.
 3. PROPRIETARY NOTICE: THIS UNPUBLISHED DRAWING AND ITS CONTENTS ARE THE PROPERTY OF PRECISIO PRECAST DETAILING AND EMBED CONFIDENTIAL AND PROPRIETARY RIGHTS, INCLUDING COPYRIGHTS, OWNED BY PRECISIO PRECAST DETAILING. THE DRAWING AND ITS CONTENT MAY NOT BE USED OR REPRODUCED, IN WHOLE OR IN PART, WITHOUT THE PRIOR WRITTEN PERMISSION OF PRECISIO PRECAST DETAILING.

PROJECT:	ARCHITECTURAL SOLID WALL PANEL
LOCATION:	UNDEFINED
CONTRACTOR:	UNDEFINED
DRAWING TITLE:	5TH & 6TH C.I.P. EMBED PLANS

ISSUED FOR APPROVAL	NO.	BY	DATE
0			

DRAWN BY	CHECKED BY
I.N.	I.N.
PROJECT NUMBER	
DEMO01	
DRAWING NUMBER	
E6.03	

